



Artisan Technology Group is your source for quality new and certified-used/pre-owned equipment

- FAST SHIPPING AND DELIVERY
- TENS OF THOUSANDS OF IN-STOCK ITEMS
- EQUIPMENT DEMOS
- HUNDREDS OF MANUFACTURERS SUPPORTED
- LEASING/MONTHLY RENTALS
- ITAR CERTIFIED SECURE ASSET SOLUTIONS

SERVICE CENTER REPAIRS

Experienced engineers and technicians on staff at our full-service, in-house repair center

*InstraView*SM REMOTE INSPECTION

Remotely inspect equipment before purchasing with our interactive website at www.instraview.com ↗

WE BUY USED EQUIPMENT

Sell your excess, underutilized, and idle used equipment. We also offer credit for buy-backs and trade-ins. www.artisanng.com/WeBuyEquipment ↗

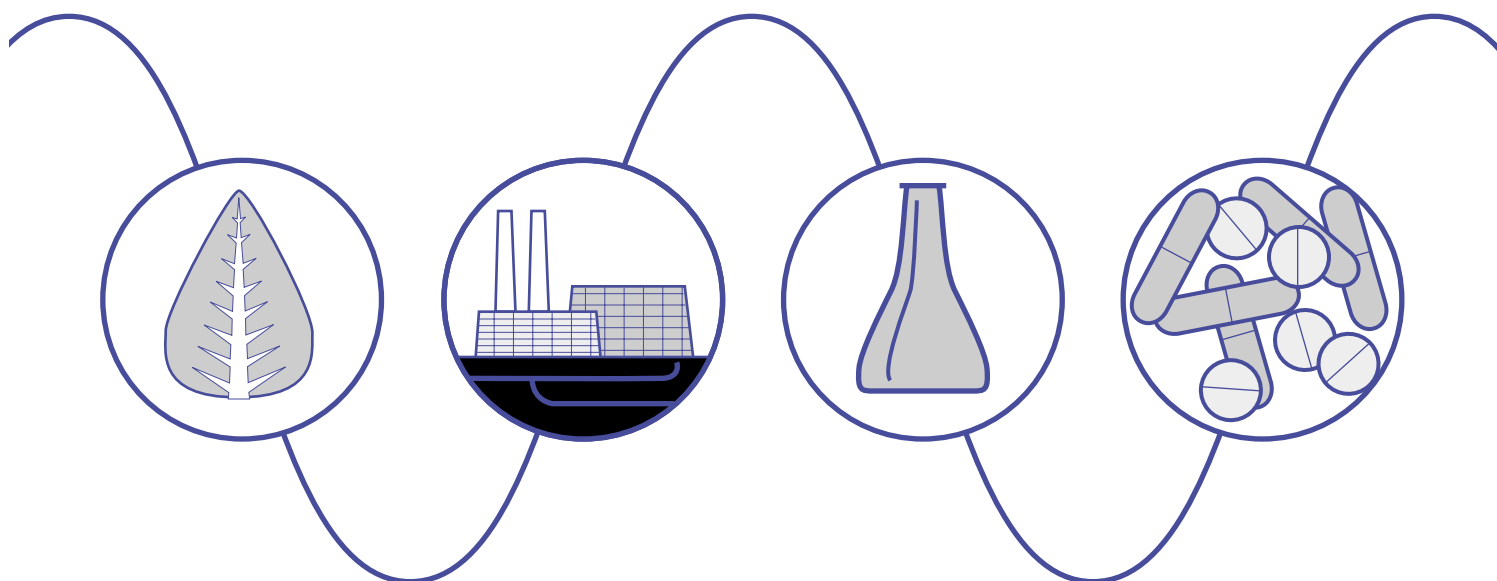
LOOKING FOR MORE INFORMATION?

Visit us on the web at www.artisanng.com ↗ for more information on price quotations, drivers, technical specifications, manuals, and documentation

Contact us: (888) 88-SOURCE | sales@artisanng.com | www.artisanng.com

Waters 2410 Differential Refractometer

Operator's Guide



Waters

34 Maple Street
Milford, MA 01757

71500241002, Revision 2

NOTICE

The information in this document is subject to change without notice and should not be construed as a commitment by Waters® Corporation. Waters Corporation assumes no responsibility for any errors that may appear in this document. This guide is believed to be complete and accurate at the time of publication. In no event shall Waters Corporation be liable for incidental or consequential damages in connection with or arising from the use of this guide.

©1998, 2000 WATERS CORPORATION. PRINTED IN THE UNITED STATES OF AMERICA. ALL RIGHTS RESERVED. THIS BOOK OR PARTS THEREOF MAY NOT BE REPRODUCED IN ANY FORM WITHOUT THE WRITTEN PERMISSION OF THE PUBLISHER.

ExpertEase, LAC/E, PowerLine, and SAT/IN are trademarks, and Millennium and Waters are registered trademarks of Waters Corporation.

Triton is a trademark of Rohm and Haas Company.

Suprasil II is a trademark of Heralus-Amersil Incorporated.

All other trademarks are the sole property of their respective owners.





Attention: The Waters 2410 Differential Refractometer is a highly sensitive instrument. Read this operator's manual before using the instrument.

When using the instrument, follow generally accepted procedures for quality control and methods development.

If you observe a change in the retention of a particular compound, in the resolution between two compounds, or in peak shape, immediately take steps to determine the reason for the changes. Until you determine the cause of a change, do not rely upon the results of the separations.



Attention: Changes or modifications to this unit not expressly approved by the party responsible for compliance could void the user's authority to operate the equipment.



Attention: To meet the regulatory requirements of immunity from external electrical disturbances that may affect the performance of this instrument, do not use cables longer than 9.8 feet (3 meters) when you make connections to the terminal strips on the rear panel of the unit. In addition, ensure you always connect the shield of the cable to chassis ground at one instrument only.



Caution: To protect against fire hazard, replace fuses with those of the same type and rating.



Caution: To avoid the possibility of electrical shock, power off the 2410 detector and disconnect the power cord before you service the instrument.

Note: The Installation Category (Overvoltage Category) for this instrument is Level II. The Level II category pertains to equipment that receives its electrical power from a local level, such as an electrical wall outlet.

Symbols on the Rear Panel of the 2410 Detector




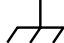



	Direct current
	Alternating current
	Protective conductor terminal
	Frame or chassis terminal
	Caution, risk of electrical shock (high voltage)
	Caution or refer to guide
	Caution, hot surface or high temperature

Table of Contents

How to Use This Guide	13
Chapter 1	
Waters 2410 Theory of Operation	16
1.1 Overview	16
1.2 Theory of Operation	17
1.2.1 Optical Refraction	17
1.2.2 Differential Refractometry	22
1.2.3 Common RI Detection Problems	24
1.3 Principles of Operation.....	25
1.3.1 Fluidics.....	25
1.3.2 Optics.....	29
1.3.3 Electronics	30
Chapter 2	
Installing the 2410 Refractometer	31
2.1 Introduction	31
2.2 Site Selection and Power Requirements.....	32
2.3 Unpacking and Inspection.....	34
2.4 Making Electrical Power Connections.....	35
2.5 Making Fluidic Connections	35
2.5.1 Connecting a Column or Second Detector	36
2.5.2 Connecting to Waste.....	37
2.5.3 Connecting to a Drip Tray	38

Chapter 3	
Making Signal Connections	39
3.1 Component Connection Overview	39
3.2 Making IEEE-488 Signal Connections	41
3.2.1 Connecting to a Waters Data System Using the IEEE-488 Bus	41
3.2.2 Connecting to a Waters PowerLine System Controller	45
3.2.3 Connecting to a Manual Injector	45
3.3 Making Non-IEEE-488 Signal Connections	46
3.3.1 Connecting to a Stand-Alone 2690 Separations Module	48
3.3.2 Connecting to the Waters 745/745B/746 Data Module	51
3.3.3 Connecting to a Chart Recorder	53
3.3.4 Connecting to the Waters 845/860 ExpertEase System	54
3.3.5 Connecting Injection Trigger Signals	55
3.3.6 Polarity Connections	57
3.4 Connecting the External Column Heaters	58
Chapter 4	
Preparing Solvents	60
4.1 Common Solvent Problems	60
4.2 Selecting a Solvent	61
4.3 Solvent Degassing	63
4.3.1 Gas Solubility	64

4.3.2 Solvent Degassing Methods.....	64
4.3.3 Solvent Degassing Considerations	65
Chapter 5	
Using the 2410 Refractometer	67
5.1 Using the Front Panel	67
5.1.1 Keypad Functions.....	70
5.2 Selecting Parameter Values	75
5.2.1 Sensitivity Guidelines	76
5.2.2 Scale Factor Guidelines	76
5.2.3 Time Constant Guidelines	78
5.2.4 Temperature Guidelines (Ext1 °C, Ext2 °C, Int °C).....	79
5.2.5 Polarity Guidelines	79
5.3 Starting Up the 2410 Refractometer.....	80
5.4 Shutting Down the 2410 Refractometer	82
Chapter 6	
Maintenance Procedures	83
6.1 Cleaning the Fluidic Path.....	84
6.2 Replacing Fuses.....	85
Chapter 7	
Troubleshooting	88
7.1 Troubleshooting Overview	88
7.2 Chromatography Troubleshooting.....	90
7.2.1 Abnormal Baseline	90
7.2.2 Erratic or Incorrect Retention Times.....	94
7.2.3 Poor Peak Resolution.....	96
7.2.4 Incorrect Qualitative/Quantitative Results	98

7.3	Diagnostics	100
7.3.1	Operating the Startup Diagnostics.....	100
7.3.2	Operating the User-Initiated Diagnostics	100
7.4	Hardware Troubleshooting	103
Appendix A		
	Specifications	105
Appendix B		
	Spare Parts/Accessories	108
Appendix C		
	Warranty Information	110
C.1	Limited Express Warranty.....	110
C.2	Shipments, Damages, Claims, and Returns.....	114
Index	115

List of Figures

1-1	Waters 2410 Differential Refractometer.....	16
1-2	Effect of Density on RI	19
1-3	Refraction of Light.....	20
1-4	Presence of Sample Changes the Photodiode Signal.....	21
1-5	How Refraction Changes f	23
1-6	Waters 2410 Refractometer Fluidics	26
1-7	Waters 2410 Refractometer Fluidic Paths	28
1-8	Waters 2410 Differential Refractometer Optics Bench Assembly Light Path	30
2-1	Major Steps in Installing the 2410 Differential Refractometer.....	31
2-2	Dimensions of the 2410 Refractometer	32
2-3	Waters 2410 Refractometer Rear Panel.....	34
2-4	Fluidic Connections	36
2-5	Ferrule and Compression Screw Assembly.....	37
3-1	Waters 2410 Differential Refractometer Rear Panel.....	40
3-2	Overview of Connecting Components to the 2410 Differential Refractometer	41
3-3	Waters Millennium System IEEE-488 Connections.....	42
3-4	Waters 845/860 System IEEE-488 Connections	42
3-5	Waters Alliance System IEEE-488 Connections	43
3-6	Waters PowerLine System Controller IEEE-488 Connections.....	45
3-7	Waters 2410 Rear Panel Analog-Out/Event-In Connectors.....	47
3-8	Auto Zero Connections Between the 2690 Separations Module and the 2410 Refractometer	49
3-9	Chart Mark Connections Between the 2690 Separations Module and the 2410 Refractometer	50

3-10	Chart Mark and Auto Zero Connections Between the 2690 Separations Module and the 2410 Refractometer	51
3-11	Connections to a Waters 745/745B/746 Data Module	52
3-12	Analog Output Connections to a Chart Recorder	53
3-13	Analog Output Connections to the Bus SAT/IN Module.....	55
3-14	Auto Zero Connection to a Manual Injector	56
3-15	Chart Mark Connections to a Manual Injector	57
3-16	2410 Refractometer External Column Heater Ports	59
5-1	Display, LED Indicators, and Keypad.....	68
5-2	Effects of Sensitivity Settings.....	76
5-3	Effects of Filter Time Constant Settings.....	78
6-1	Removing and Replacing Fuses.....	86

List of Tables

1-1	Fluidic Line Inner Diameters.....	27
2-1	Installation Site Requirements	33
3-1	Component Connection Summary	39
3-2	Waters 2410 Refractometer Inject Start Connections	44
3-3	Waters 2410 Connections to a Manual Injector	45
3-4	Waters 2410 Analog-Out/Event-In Connections	47
3-5	Analog Output Connections to a 745/745B/746 Data Module .	51
3-6	Analog Output Connections to a Chart Recorder.....	53
3-7	Analog Output Connections to the Bus SAT/IN Module	54
3-8	Auto Zero Connections to a Manual Injector.....	56
3-9	Chart Mark Connections to a Manual Injector.....	57
3-10	Polarity Options.....	58
4-1	Refractive Indices of Common Solvents	62
5-1	Indicator LED Functions	69
5-2	Keypad Functions	70
6-1	Voltage and Fuse Requirements	87
7-1	Abnormal Baseline Troubleshooting	91
7-2	Retention Time Troubleshooting	94
7-3	Resolution Troubleshooting	97
7-4	Incorrect Results Troubleshooting	99
7-5	User Diagnostics	101
7-6	Waters 2410 Hardware Troubleshooting	103

A-1	Operational Specifications	105
A-2	Integrator Output.....	106
A-3	Optical Component Specifications.....	106
A-4	Environmental Specifications	106
A-5	Dimensions	107
A-6	Electrical Specifications	107
A-7	Power Source Specification.....	107
B-1	Recommended Spare Parts	108
C-1	Waters 2410 Warranty Periods	113

How to Use This Guide

Purpose of This Guide

The *Waters 2410 Differential Refractometer Operator's Guide* describes the features and use of the Waters® 2410 Differential Refractometer and provides installation and maintenance procedures.

Audience

This guide is intended for use by anyone interested in installing, using, maintaining, and troubleshooting the 2410 Differential Refractometer.

Structure of This Guide

The *Waters 2410 Differential Refractometer Operator's Guide* is divided into chapters and appendixes. Each page is marked with a tab and a footer to facilitate access to information within the chapter or appendix.

The table below describes the material covered in each chapter and appendix.

Chapter 1, Waters 2410 Theory of Operation	Describes the product and the principles of differential refractometry and 2410 Differential Refractometer operation.
Chapter 2, Installing the 2410 Refractometer	Describes the 2410 Differential Refractometer installation procedures.
Chapter 3, Making Signal Connections	Describes how to connect other components of your chromatography system to the 2410 Differential Refractometer.
Chapter 4, Preparing Solvents	Discusses the importance of filtering and degassing solvents for effective operation.
Chapter 5, Using the 2410 Refractometer	Describes how to power on and off and operate the 2410 differential refractometer.
Chapter 6, Maintenance Procedures	Describes maintenance and parts replacement procedures for the 2410 Differential Refractometer.

Chapter 7, Troubleshooting	Provides tables describing symptoms, possible causes, and corrective actions for 2410 Differential Refractometer operational problems.
Appendix A, Specifications	Provides specifications for the 2410 Differential Refractometer.
Appendix B, Spare Parts/Accessories	Lists the recommended spare parts for the 2410 Differential Refractometer.
Appendix C, Warranty Information	Includes warranty and service information for the 2410 Differential Refractometer.

Related Documents

The following table lists other documents related to the operation of the 2410 Differential Refractometer.

<i>Waters 2690 Separations Module Operator's Guide</i>	Describes the procedures for unpacking, installing, using, maintaining, and troubleshooting the Waters 2690 Separations Module.
<i>Waters 600E Multisolvent Delivery System User's Guide</i>	Describes the procedures for installing, using, maintaining, and troubleshooting the Waters 600E Multisolvent Delivery System.
<i>Waters Bus SAT/IN Module Installation Guide</i>	Provides the procedures for installing the Waters Bus SAT/IN Module.
<i>Millennium Software User's Guide, Vol. I and Vol. II</i>	Describes the Millennium Chromatography Manager software used in both the Millennium 2010 workstation and the Millennium 2020 client/server system.

Conventions Used in This Guide

This guide uses the following conventions to make text easier to understand.

- **Bold** text indicates user action. For example:

Press **0**, then press **Enter** for the remaining fields.

- *Italic* text denotes new or important words, and is also used for emphasis. For example:

An *instrument method* tells the software how to acquire data.

- Instructions to click a specific icon include the icon in the left column of the page. For example:



Click the Projects view icon. The Projects view appears with all existing project folders.

Notes, Attentions, and Cautions

- Notes call out information that is important to the operator. For example:

Note: *Record your results before you proceed to the next step.*

- Attentions provide information about preventing possible damage to the system or equipment. For example:



Attention: *To avoid damaging the detector flow cell, do not touch the flow cell window.*

- Cautions provide information essential to the safety of the operator. For example:



Caution: *To avoid chemical or electrical hazards, always observe safe laboratory practices when operating the system.*



Caution: *To avoid the possibility of electrical shock, always power off the detector and unplug the power cord before you perform maintenance procedures.*



Caution: *To avoid the possibility of burns, power off the lamp at least 30 minutes before removing it for replacement or adjustment.*

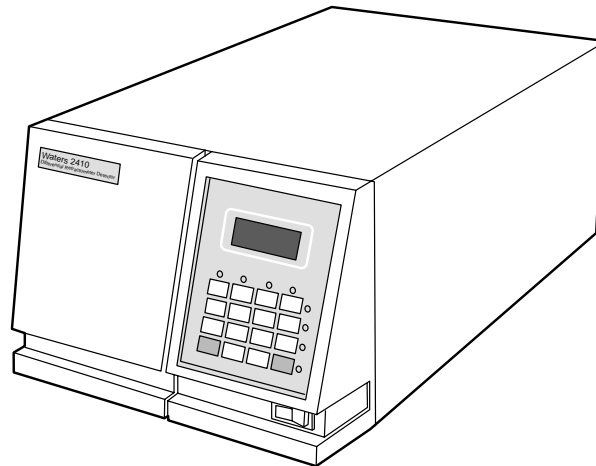
1 Waters 2410 Theory of Operation

This chapter introduces you to the Waters® 2410 Differential Refractometer. It summarizes the 2410 differential refractometer features and the principles of differential refractometry, and describes the theory and principles of operation.

Refer to [Appendix A, Specifications](#), for system specifications, and to [Chapter 4, Preparing Solvents](#), for solvent considerations.

1.1 Overview

The Waters 2410 Differential Refractometer, shown in [Figure 1-1](#), is a differential refractive index detector designed for high performance liquid chromatography applications. It can operate as a stand-alone unit with an integrator or chart recorder, or with a Waters system controller or Waters data system.



TP01531

Figure 1-1 Waters 2410 Differential Refractometer

Range and Sensitivity

The 2410 detector functions with solvents with refractive indices between 1.00 and 1.75. The measurement range of the instrument is 5×10^{-8} to 5×10^{-3} refractive index units full scale (RIUFS).

Features

Features of the 2410 differential refractometer include:

- Patented countercurrent heat exchanger and temperature-controlled cell for stable operation under varying conditions
- Auto zero and auto purge for automated operation
- Built-in pressure relief to protect flow cell
- Auto diagnostics
- Two external column heater controls
- Battery backup to retain parameter settings when the detector is powered off or during power interruptions
- Long-life LED light source

1.2 Theory of Operation

The Waters 2410 Differential Refractometer uses optical refraction to monitor the concentrations of sample components in your eluent. This section describes:

- Optical refraction
- Differential refractometry
- Common problems in refractometry

1.2.1 Optical Refraction

When a beam of light passes from one medium into another, it changes its speed. If the light enters the second medium at an angle that is not perpendicular to the medium's surface, the light is bent (refracted).

The extent to which a medium refracts light is its *refractive index* (RI), calculated as the ratio of the velocity of light in a vacuum to the velocity of light in the medium. It is a physical property of the medium, with a dimensionless integer value represented by the letter n .

This section discusses:

- Factors that affect RI
- Measuring refraction
- Using changes in RI for sample detection

Factors That Affect RI

The refractive index of a medium is solely dependent on the speed of light in the medium. The speed of light in a medium is constant for a given wavelength of light at a specified temperature and pressure.

Wavelength

The refractive index of a medium has a specific value that changes with the wavelength of the incident light beam. Since the 2410 differential refractometer uses monochromatic light at a fixed wavelength, the effect of different wavelengths of light on RI is not discussed in this guide.

Density

The density of the medium also affects its RI. At a fixed wavelength, the relationship between the density of a medium and its RI is generally, but not necessarily, linear. The most important of the factors that affect the density of a medium are:

- Composition
- Temperature
- Pressure

[Figure 1-2](#) illustrates the effect of density on the RI of two solutions. The refractive index of a sucrose solution changes linearly with concentration over this range of compositions, but a methanol solution exhibits a nonlinear region between concentrations of 45 and 55 percent.

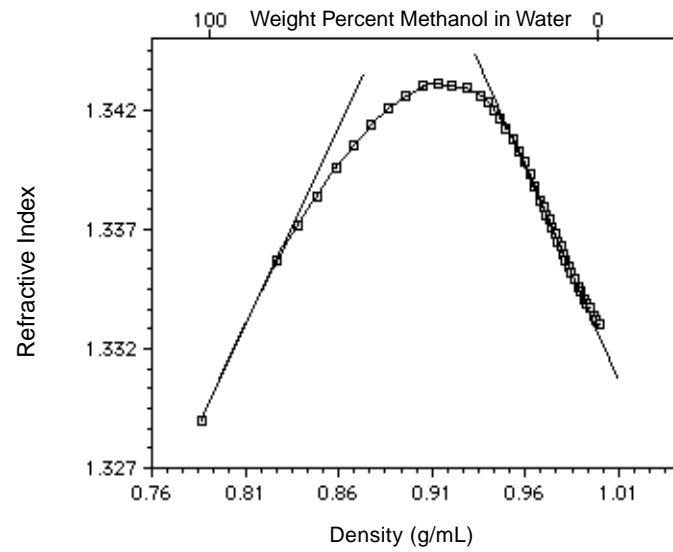
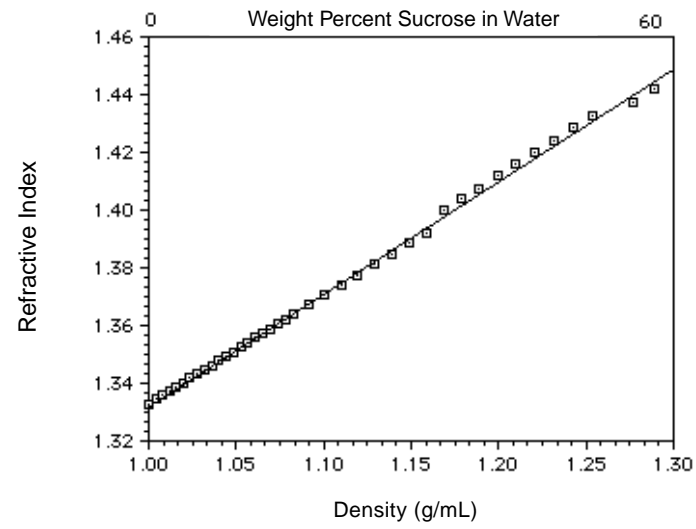


Figure 1-2 Effect of Density on RI

Measuring Refraction

The extent to which a beam of light is refracted when it enters a medium depends on two factors:

- The angle at which the light enters the new medium (the *angle of incidence*)
- The refractive indices of the new media

The angle of a refracted light beam through the new medium is its *angle of refraction*.

[Figure 1-3](#) illustrates the relationship between angle of incidence, angle of refraction, and refractive index.

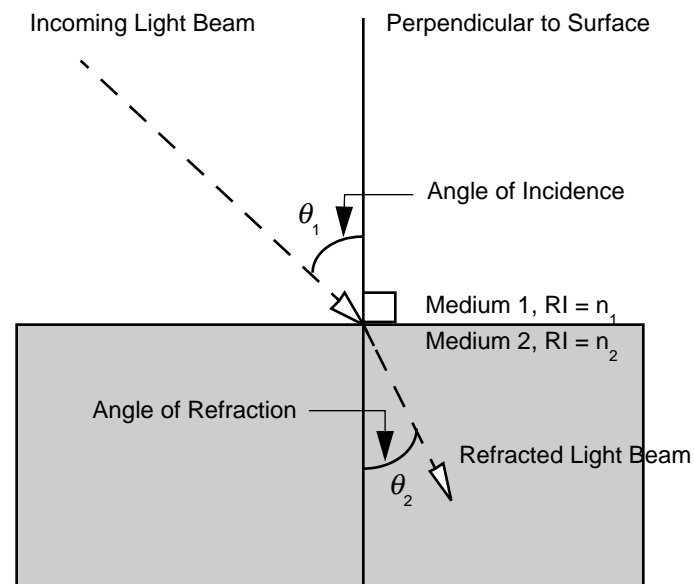


Figure 1-3 Refraction of Light

The relationship between the refractive indices of the two media and the angles of incidence and refraction is described by Snell's Law:

$$n_1 (\sin \theta_1) = n_2 (\sin \theta_2)$$

where:

- θ_1 = Angle of incidence
- θ_2 = Angle of refraction
- n_1 = RI of medium 1
- n_2 = RI of medium 2

You can use Snell's Law to calculate the RI of a sample solution from the angle of incidence, the RI of the solvent, and the angle of refraction.

Using Changes in RI for Sample Detection

As the separated components of a sample pass through the refractometer flow cell:

- The composition of the sample solution in the flow cell changes.
- The RI of the solution changes.
- The light beam passing through the solution is refracted.

The refractometer detects the position of the refracted light beam, creating a signal that differs from the baseline signal.

[Figure 1-4](#) shows how refraction by the sample in the flow cell changes the proportion of light on each element of the photodiode.

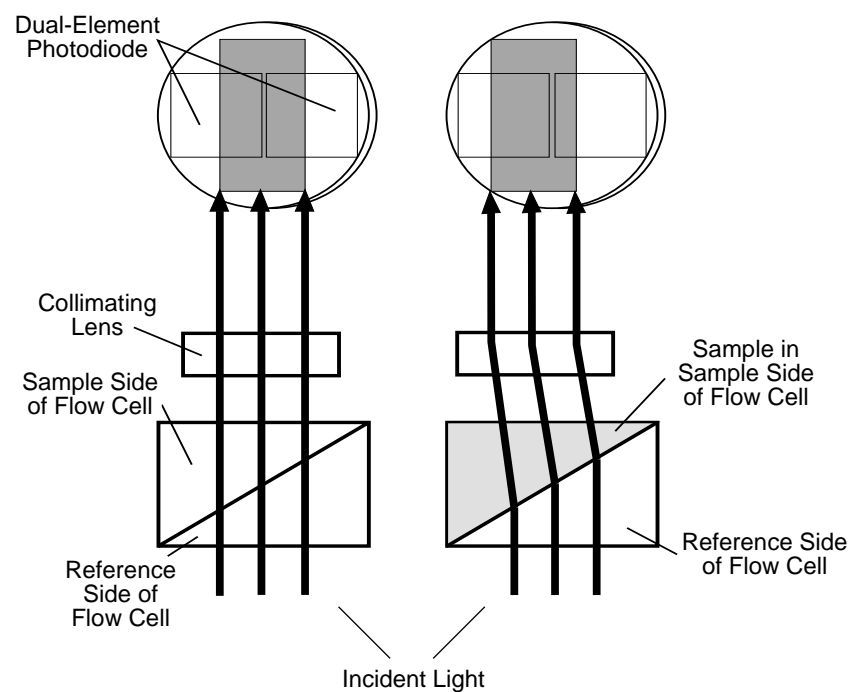


Figure 1-4 Presence of Sample Changes the Photodiode Signal

By keeping wavelength, temperature, and pressure constant, the changes in RI measured by the refractometer are due only to changing sample concentration. A solution with a high concentration of a solute refracts a beam of light more than a dilute solution. Therefore, high concentrations of sample yield large peaks.

1.2.2 Differential Refractometry

The 2410 differential refractometer can measure extremely small changes in refractive index to detect the presence of sample. The small difference in RI between a reference solution and a sample solution is referred to as Δn . Δn is expressed in refractive index units (RIU).

The 2410 differential refractometer measures Δn values as small as 5×10^{-8} RIU by detecting the difference in the amount of light falling upon each of the elements of the dual-element photodiode (see [Figure 1-4](#)).

External Angle of Deflection

The amount of light falling upon the elements of the photodiode is determined by the *external angle of deflection* (ϕ), as shown in [Figure 1-5](#). The ϕ determines the magnitude of the shift (Δx) of the image cast on the photodiode by the light beam.

[Figure 1-5](#) illustrates the external angle of deflection (ϕ) and its dependence on the difference in RIs between the reference and sample sides of the flow cell.

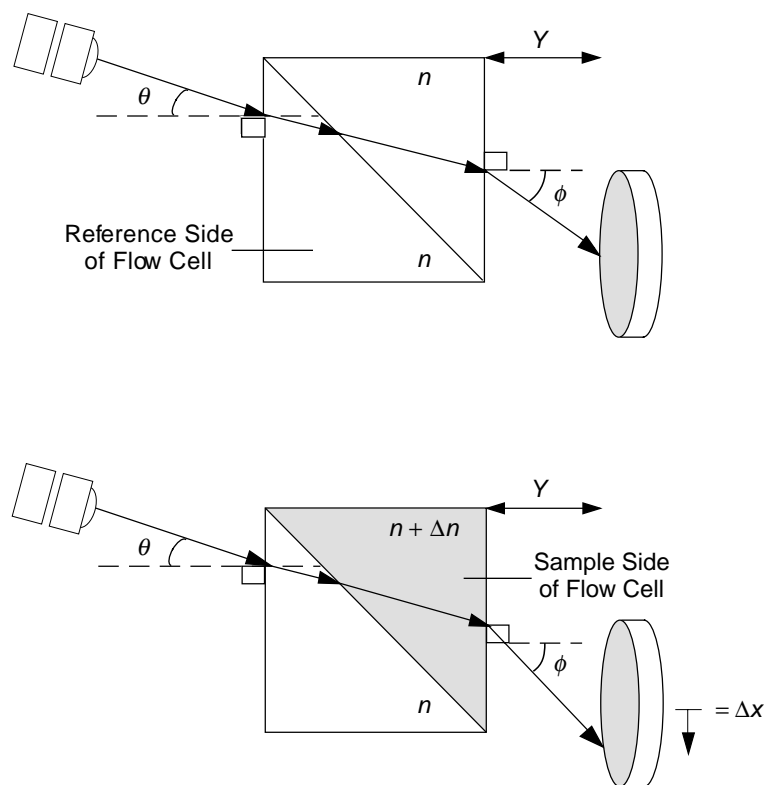


Figure 1-5 How Refraction Changes ϕ

Effect of Refraction on ϕ

As the beam of light moves along the light path to the photodiode, it encounters and is refracted by the air in the optics bench assembly, the fused quartz walls of the flow cell, the solvent in the reference side of the flow cell, and the solution in the sample side of the flow cell.

Of these refractors, only the solution in the sample side of the flow cell changes over the course of a run. As a result, the reference external angle of deflection (ϕ) does not change until a change in the RI of the sample causes the light beam to be refracted from its zero position.

The relationship between the external angle of deflection (ϕ) and the RI of the sample solution is expressed as:

$$\Delta n \equiv \phi / \tan \theta$$

where: Δn = Difference in RI between the solvent and the solvent-sample solution

ϕ = External angle of deflection (in radians)

θ = Angle of incidence (in radians)

Effect of Refraction on the Photodiode Signal

The change in ϕ determines the shift (Δx) of the light beam on the photodiode. Because the 2410 differential refractometer uses a dual-pass optics bench assembly, the light beam passes through the flow cell twice before reaching the photodiode, doubling the image shift.

The relationship between the image shift (Δx) at the 2410 detector photodiode and the change in RI of the solution is expressed as:

$$\Delta x = 2 Y (\tan \theta) \Delta n$$

where: Δx = Distance of the image shift at the photodiode

Y = Distance from the flow cell to the photodiode

θ = Angle of incidence

Δn = Difference in RI between solvent and sample solution

The angle of incidence (θ) and the distance to the photodiode (Y) are fixed in the refractometer, so the equation becomes:

$$\Delta x = C \Delta n$$

Where: C = A constant representing the fixed values

By detecting how far the image shifts (Δx), the refractometer measures the difference in RI (Δn) between the solvent-sample solution and the solvent alone.

The shift in the amount of the light beam striking each element of the dual-element photodiode results in a change in the output voltage from the 2410 detector. The integrator or chart recorder registers the changes in output voltage as peaks in your chromatogram.

1.2.3 Common RI Detection Problems

Changes in solution density caused by factors other than sample concentration are the most common source of problems in RI detection. Changes in solution density can be due to:

- Environmental factors such as changes in temperature or pressure

- Inhomogeneities in the solution

Environmental Factors

Even small changes in ambient temperature can cause baseline drift. Backpressure pulses from a dripping waste tube can cause short-term baseline cycling. Refer to Chapter 7, Troubleshooting, for more information.

Inhomogeneities in Solution

The differential refractometer measures the difference in refraction between a pure reference solvent and a homogeneous sample solution within a chromatographic band. If the sample solution is not homogeneous, the light passing through the sample may be absorbed, scattered, or refracted unpredictably. This can result in shifts in retention time and broad, tailing peaks. Most common inhomogeneity problems are due to improper solvent preparation. See Chapter 4, Preparing Solvents, for more information.

1

1.3 Principles of Operation

This section describes the design of the 2410 refractometer and its principles of operation, including:

- Fluidics
- Optics
- Electronics

1.3.1 Fluidics

The fluidic path of the 2410 refractometer includes the following components, some of which are shown in [Figure 1-6](#):

- Countercurrent heat exchanger
- Flow cell, with sample and reference sides
- Solenoid valve
- Pressure relief valve
- Inlet and outlet tubing

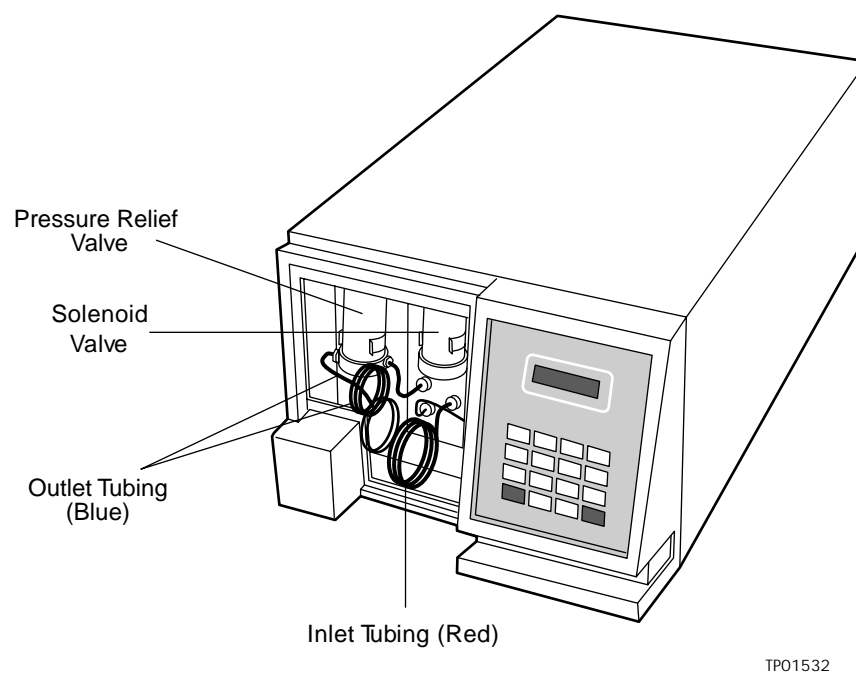


Figure 1-6 Waters 2410 Refractometer Fluidics

Countercurrent Heat Exchanger

The 2410 refractometer uses a patented countercurrent heat exchanger to minimize temperature fluctuations in the sample stream. In the countercurrent heat exchanger, the sample and reference inlet and outlet lines run adjacent to each other. All four lines are copper-coated to facilitate heat exchange.

Flow Cell

The flow cell consists of two fused quartz hollow prisms. Each has an inlet and outlet. One of the prisms is the sample side of the flow cell through which a constant flow of eluent passes during analysis.

The other prism is the reference side of the flow cell. It is filled with clean solvent when you purge the 2410 refractometer during equilibration. When you switch from purge to normal operation, the solenoid valve opens and the pressure relief valve shuts, stopping the flow of solvent through the reference prism but leaving the cell filled with solvent.

Solenoid Valve

During normal operation, the solenoid valve remains open. Fluid that passes through the sample side of the flow cell flows through the solenoid valve and out through the outlet tubing (blue) to the waste reservoir.

When you purge the 2410 refractometer, the solenoid valve closes, causing fluid passing through the sample side of the flow cell to flow out through the reference side of the flow cell, through the purge outlet tubing (blue).

Pressure Relief Valve

During normal operation, the pressure relief valve is closed, opening only if the pressure gets too high. This protects the flow cell, which has a maximum pressure rating of 100 psi.

During purging, fluid moving through the sample and reference sides of the flow cell goes out through the pressure relief valve to the waste reservoir. [Figure 1-7](#) indicates the paths of solvent and sample in the 2410 refractometer during normal operation and during a purge. [Table 1-1](#) provides the inner diameters of the sample and reference fluidic lines.

Table 1-1 Fluidic Line Inner Diameters

Fluidic Line	Inner Diameter (inches)
Sample In	0.009
Sample Out	0.040
Reference In	0.020
Reference Out	0.040

1

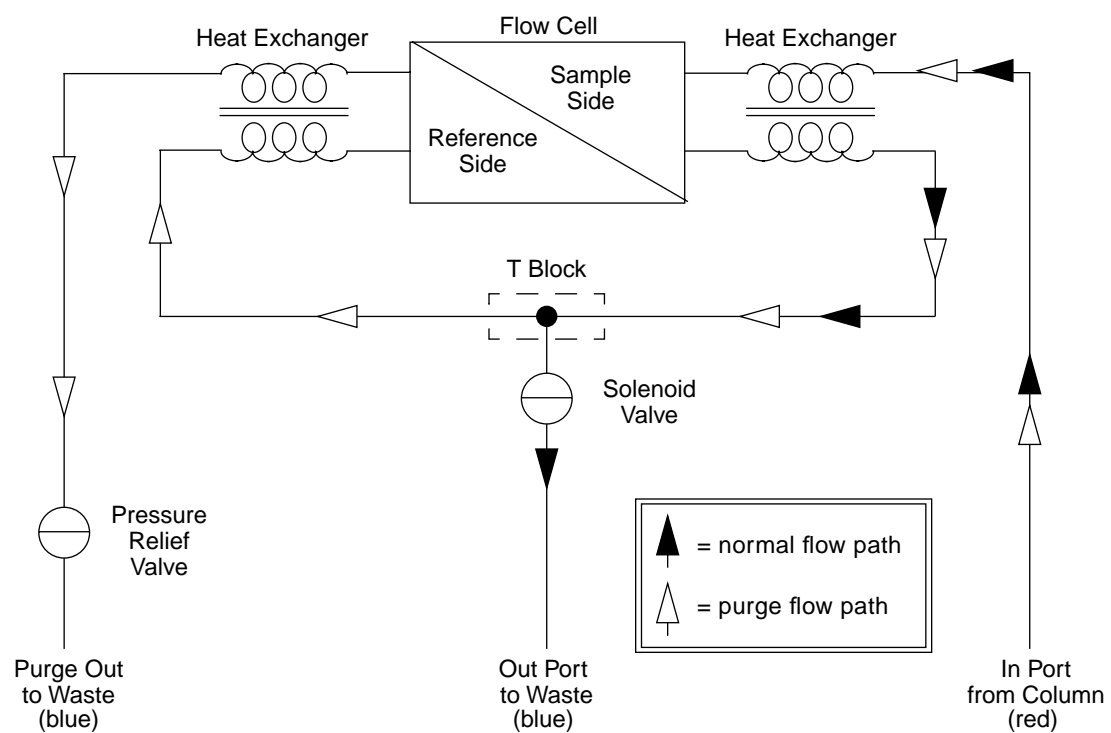


Figure 1-7 Waters 2410 Refractometer Fluidic Paths

Fluidic Path During Analysis

During analysis, the solvent-sample:

1. Flows in through the inlet tubing port.
2. Passes through the Sample In tube of the countercurrent heat exchanger.
3. Flows through the sample side of the flow cell.
4. Flows out through the Sample Out tube of the countercurrent heat exchanger.
5. Passes through the solenoid valve to the outlet tubing port.

Fluidic Path During Purge

When you purge the 2410 refractometer fluidic path, solvent:

1. Flows in through inlet tubing port.
2. Passes through the Sample In tube of the countercurrent heat exchanger.

3. Flows through the sample side of the flow cell.
4. Flows out through the Sample Out tube of the countercurrent heat exchanger to the closed solenoid valve.
5. Passes through the Reference In tube of the countercurrent heat exchanger.
6. Flows through the reference side of the flow cell.
7. Flows out through the Reference Out tube of the countercurrent heat exchanger.
8. Flows out through the pressure relief valve to the purge outlet tubing port.

1.3.2 Optics

The 2410 refractometer optics bench assembly ([Figure 1-8](#)) consists of the following components:

- LED source lamp
- LED lens mask
- LED lens
- Flow cell, with sample and reference sides
- Mirror
- Collimating lens
- Dual-element photodiode

[Figure 1-8](#) shows the path of the light beam as it passes through the components in the optics bench assembly.

As shown in [Figure 1-8](#):

1. Light from the LED is focused by the focusing lens through the aperture and collimating lens to form a beam.
2. The light beam passes through the sample and reference sides of the flow cell to the mirror.
3. The light beam is reflected back through both sides of the flow cell and the collimating lens to the dual-element photodiode.

The difference in the amount of light striking the elements of the photodiode (because of sample refraction) results in a deflection from the baseline on the chromatogram.

1

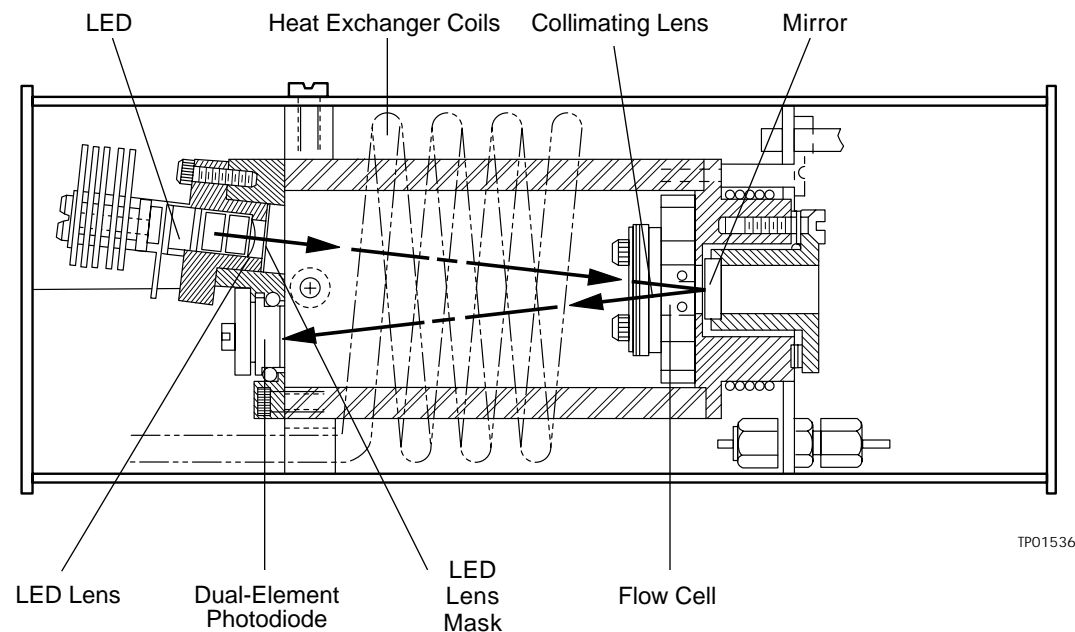


Figure 1-8 Waters 2410 Differential Refractometer Optics Bench Assembly Light Path

1.3.3 Electronics

The 2410 refractometer has both analog and digital components, and includes hardware such as the front panel keyboard and printed circuit (PC) boards and their interconnections. The following PC boards are included in the 2410 refractometer electronics.

- **CPU Board** – Provides the interface between the analog input signals from the optics and the microprocessor, for further signal conditioning. Generates analog output signals, drives the LED, Auto Zero, and signal compensation electronics, and stores and executes input from the front panel keypad and the rear panel contact closures. Provides communication between the 2410 refractometer and external devices through the IEEE-488 interface and terminal strip input/output connections.
- **Front Panel Board** – Controls the keypad, indicators, and display.
- **Power Distribution Board** – Distributes DC voltages to the CPU board, fan, and heaters. Provides the electronic switching for control of the oven compartment.

2

Installing the 2410 Refractometer

This chapter describes the procedures for selecting the site for installing the Waters 2410 Differential Refractometer, unpacking and inspecting the instrument, installing fuses, and making fluidic connections. For information on connecting the 2410 refractometer to other devices, see Chapter 3.

2

2.1 Introduction

[Figure 2-1](#) shows the major steps in installing the Waters 2410 Differential Refractometer.

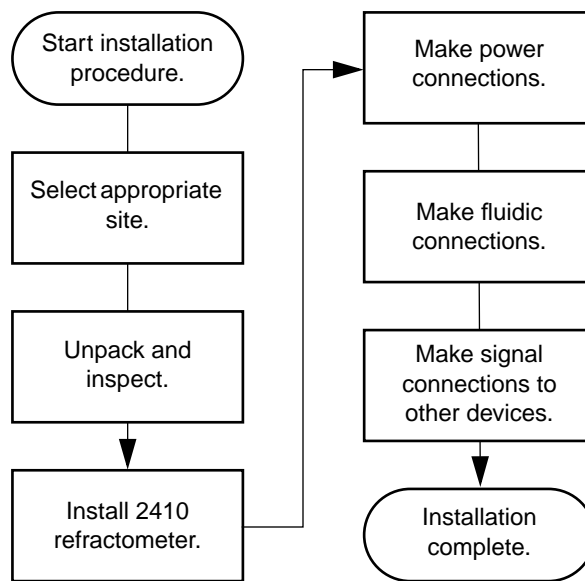


Figure 2-1 Major Steps in Installing the 2410 Differential Refractometer

Figure 2-2 shows the dimensions of the 2410 refractometer.

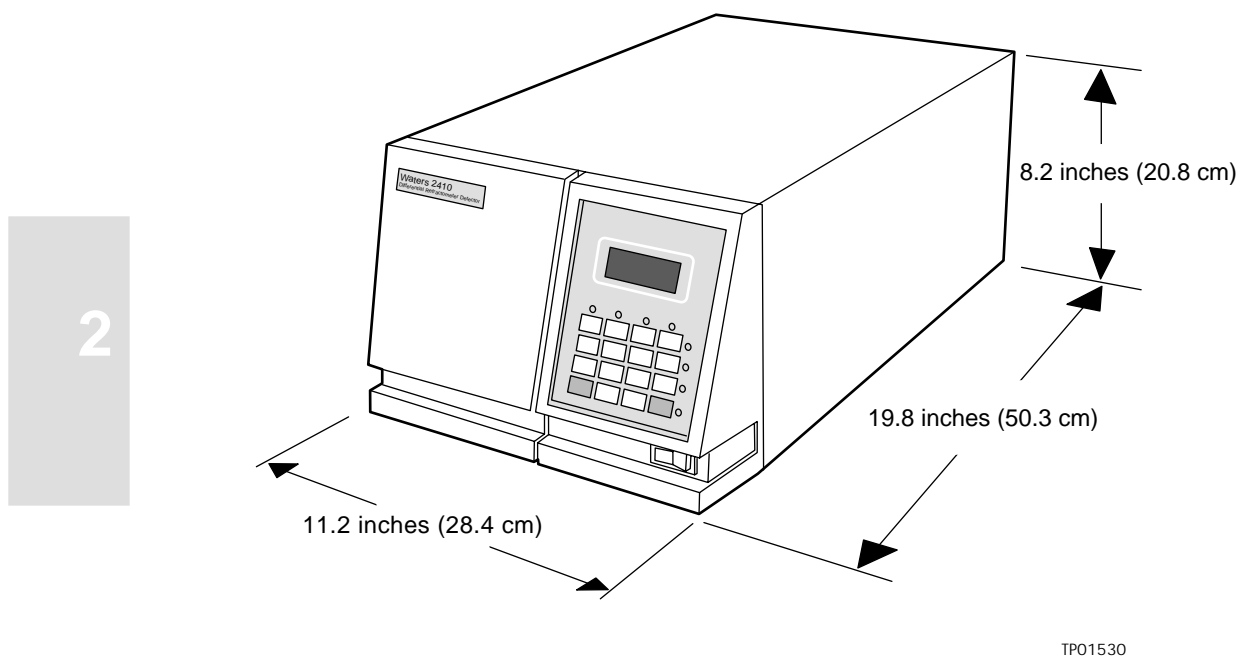


Figure 2-2 Dimensions of the 2410 Refractometer



Attention: Access to the instrument inside the top cover is not required. All required access is through the left front panel where the fluidic connections are located (see [Section 2.5, Making Fluidic Connections](#)).

2.2 Site Selection and Power Requirements

Reliable operation of your 2410 refractometer depends on a proper installation site and a suitable power supply.

Site Selection Requirements

Install the Waters 2410 Differential Refractometer in an area that meets the requirements listed in [Table 2-1](#).

Table 2-1 Installation Site Requirements

Parameter	Requirement
Operating temperature range	+15 °C to +32.2 °C (59 °F to 90 °F); avoid direct exposure to sunlight and heating/cooling vents.
Storage temperature range	−40 °C to 70 °C (−104 °F to 158 °F)
Relative humidity	20% to 80%, noncondensing
Storage humidity range	0% to 90%, noncondensing
Bench space	At least 11.2 in. (28.4 cm) wide × 24.8 in. (63 cm) deep × 8.2 in. (20.8 cm) high (includes 5 in. [12.7 cm] clearance at rear)
Static electricity	< 8 kV contact
Power	Grounded ac, 100/240 Vac, 50/60 Hz
Surface orientation	Level (ensures proper drip tray function)

Power Requirements

The 2410 refractometer, which operates over the range 100 Vac to 240 Vac, is shipped from the factory with two 2.0 A fuses.



Caution: To avoid electrical shock, power off the 2410 refractometer and unplug the power cord from the rear panel receptacle before you replace a fuse.



Caution: To reduce the risk of fire hazard, always replace the fuse with the same type and rating.

The two fuses are located above the power input receptacle within the power input module on the rear panel ([Figure 2-3](#)).

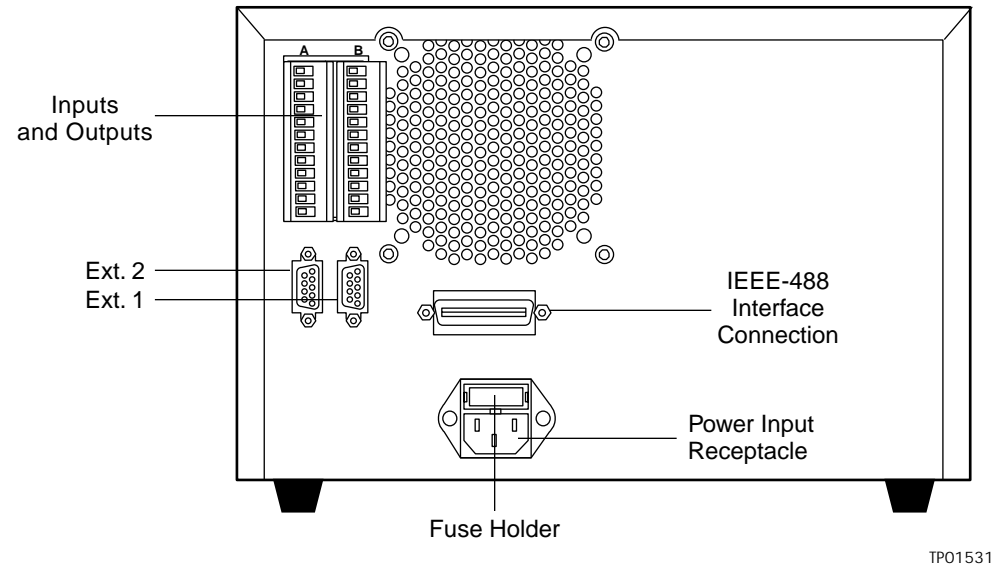


Figure 2-3 Waters 2410 Refractometer Rear Panel

To replace a fuse in the 2410 refractometer, see [Section 6.2, Replacing Fuses](#).

2.3 Unpacking and Inspection

The Waters 2410 refractometer shipping carton contains:

- Certificate of Structural Validation
- Waters 2410 Differential Refractometer
- Startup Kit
- *Waters 2410 Differential Refractometer Operator's Guide*
- Release Notes

To unpack the 2410 refractometer:

1. Check the contents of the shipping carton against the packing list to ensure you have received all items.
2. Save the shipping carton for future transport or shipment.

If you see any damage or discrepancy when you inspect the contents of the carton, immediately contact the shipping agent. *U.S. and Canadian customers only*, also contact Waters Technical Service at (800) 252-4752. Other customers, call your local Waters subsidiary or your local Waters Technical Service Representative, or call Waters corporate headquarters for assistance at (508) 478-2000 (U.S.).

Note: Make sure the instrument serial number on the rear panel nameplate or inside the left front panel corresponds to the number on the instrument validation certificate.

For more information about shipments, damages, and claims, see [Appendix C, Warranty Information](#).

2.4 Making Electrical Power Connections

To connect the 2410 refractometer to the ac power supply:

1. Plug the receptacle end of the power cord into the ac power input receptacle on the rear panel of the detector ([Figure 2-3](#)).
2. Plug the other end of the power cord into a properly grounded ac power source.

For information about the remaining rear panel electrical connections, see [Chapter 3, Making Signal Connections](#).

2.5 Making Fluidic Connections

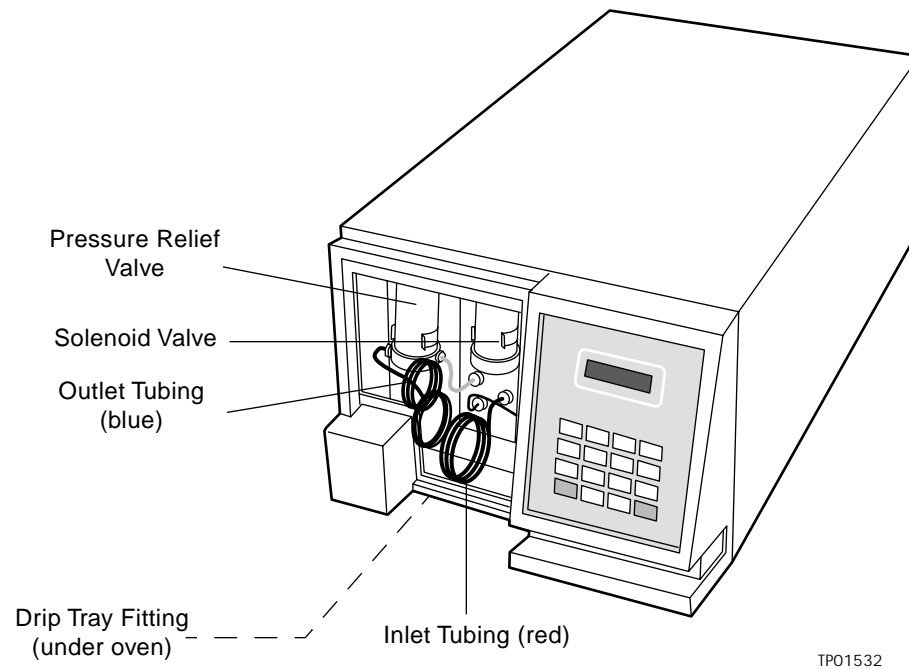


Caution: To avoid chemical hazards, always observe good laboratory practices when handling solvents. Refer to the Material Safety Data Sheets for solvents in use.

This section describes the procedures for connecting the 2410 refractometer to:

- A column or another detector
- A waste container
- The drip tray

The fluidic connections for the 2410 refractometer are located to the left of the keypad on the front panel ([Figure 2-4](#)).



TP01532

Figure 2-4 Fluidic Connections

2.5.1 Connecting a Column or Second Detector

Note: If you are using more than one detector in your system, the Waters 2410 Differential Refractometer must be connected as the last detector in line.

Required Materials

- 1/16-inch stainless steel tubing, 0.009-inch ID (from Startup kit)
- Waters 1/16-inch stainless steel tubing cutter or file
- Pliers, cloth-covered
- Two compression fittings and ferrules (from Startup kit)
- 5/16-inch open-end wrench

To connect a column or other detector to the 2410 refractometer:

1. Measure the minimum length of tubing needed to connect the column or other detector outlet to the inlet tubing port.

2. Cut the tubing to the required length.
 - a. Use the stainless steel tubing cutter or a file with a cutting edge to scribe the circumference of the tubing at the desired end point.
 - b. Grasp the tubing on both sides of the scribed mark with cloth-covered pliers (to prevent marring the surface) and gently work the tubing back and forth until it separates.
 - c. File the ends smooth and straight for maximum column efficiency, and remove all burrs.
3. Slide a compression screw and ferrule over one end of the tubing, as shown in [Figure 2-5](#).

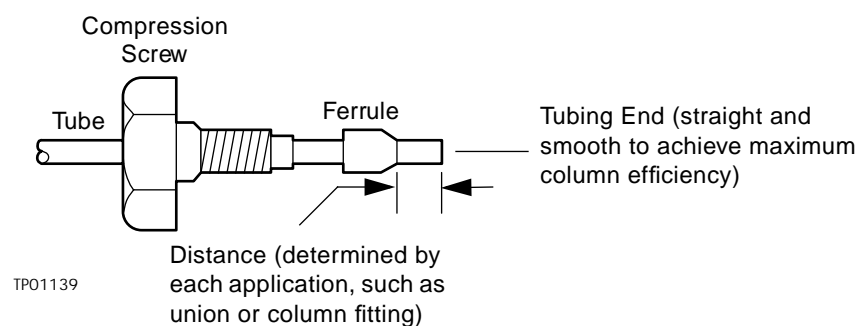


Figure 2-5 Ferrule and Compression Screw Assembly

4. Bottom the tubing in the inlet tubing port fitting of the refractometer, then seat the ferrule by tightening the compression screw 3/4-turn past finger-tight with the 5/16-inch open-end wrench.
5. Repeat steps 3 and 4 to connect the tubing to the outlet fitting of the column or another detector.

2.5.2 Connecting to Waste

Because the 2410 refractometer flow cell is very sensitive to backpressure, be sure to use waste tubing that is 0.040-inch ID and that is no more than 18 to 24 inches (45 to 60 cm) long.

Required Materials

- 1/16-inch stainless steel tubing, 0.040-inch ID (from Startup kit)

- Waters 1/16-inch stainless steel tubing cutter or file
- One compression fitting and ferrule (from Startup kit)
- 5/16-inch open-end wrench
- Waste container

To connect the 2410 refractometer to waste:

1. Cut the minimum length of tubing needed, as described in [Section 2.5.1, Connecting a Column or Second Detector](#).
2. Slide the compression fitting and ferrule over one end of the 0.040-inch tubing, as shown in [Figure 2-5](#).
3. Bottom the tubing in the outlet tubing port fitting of the refractometer, then seat the ferrule by tightening the compression screw 3/4-turn past finger-tight with the 5/16-inch open-end wrench.
4. Place the waste container lower than, or at the same level as, the 2410 refractometer.
5. Place the free end of the tubing in the waste container.



Attention: The maximum pressure for the 2410 refractometer flow cell is 100 psi. The flow cell could be damaged if this pressure is exceeded.

2.5.3 Connecting to a Drip Tray

The 2410 refractometer contains a drip tray underneath the flow cell behind the front panel to direct solvent leaks to the front of the unit.

Connecting the drip tray is usually unnecessary, but, if you connect it, be sure to position the waste container below the drip tray outlet.

Required Materials

- PTFE tubing, 0.063-inch ID (from the Startup kit)
- Razor blade

To connect the drip tray:

1. Cut a length of PTFE tubing sufficient to reach between the drip tray and the waste container.
2. Connect the tubing to the white plastic fitting located under the oven of the 2410 refractometer (see [Figure 2-4](#)).
3. Insert the other end of the tubing into the waste container.

3

Making Signal Connections

This chapter describes procedures for making signal connections between the Waters 2410 Differential Refractometer and other HPLC system components.

3.1 Component Connection Overview

[Table 3-1](#) summarizes the signal connections needed to connect the 2410 refractometer to other HPLC system components.

Table 3-1 Component Connection Summary

Connector Type	Component
IEEE-488 Connections	
IEEE-488 Connector	<ul style="list-style-type: none"> • Millennium Chromatography Manager through the busLAC/E card • Waters 845/860 Data System through the LAC/E or busSAT/IN Module • Waters PowerLine™ System Controller • Waters 2690 Separations Module
Non-IEEE-488 Connections	
Analog outputs	<ul style="list-style-type: none"> • 745/745B/746 Data Module (integrator or data system using the A/D interface) • Chart recorder • Compressed data output
Event inputs	<ul style="list-style-type: none"> • System controller (used with the Waters 2690 Separations Module and the 600 Series solvent delivery system) • Waters 700 series or a non-Waters autosampler • Waters or non-Waters manual injector

Table 3-1 Component Connection Summary (Continued)

Connector Type	Component
IEEE-488 Connections	
9-Pin DIN	<ul style="list-style-type: none"> • Waters or non-Waters manual injector • Two optional external column heaters

Figure 3-1 shows the rear panel locations of the connectors used to operate the 2410 refractometer with external devices.

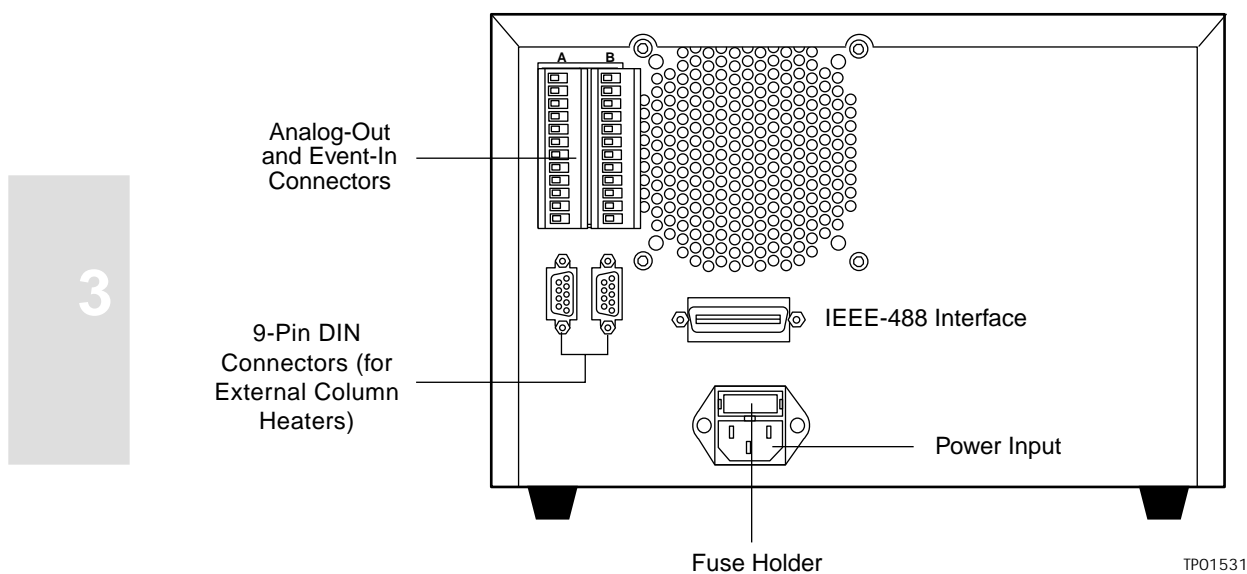
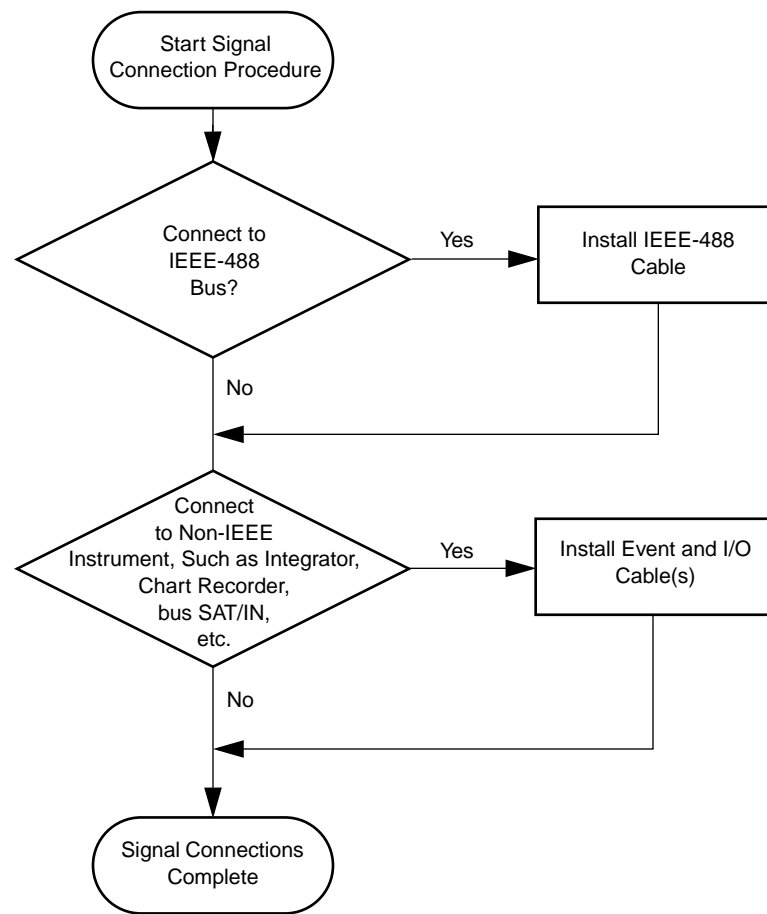


Figure 3-1 Waters 2410 Differential Refractometer Rear Panel

The signal connections you need to make to your 2410 refractometer depend on the signal connections available on the other instruments in your HPLC system.

Figure 3-2 provides an overview of the steps to follow to connect the 2410 refractometer to other instruments in your HPLC system.



3

Figure 3-2 Overview of Connecting Components to the 2410 Differential Refractometer

3.2 Making IEEE-488 Signal Connections

You can use the IEEE-488 bus to connect the 2410 refractometer to Waters or third-party data systems.

3.2.1 Connecting to a Waters Data System Using the IEEE-488 Bus

You can use the IEEE-488 bus to connect the 2410 refractometer to a Waters data system in any one of the following configurations (see [Figure 3-3](#), [Figure 3-4](#), and [Figure 3-5](#)):

- Millennium Chromatography Manager through the busLAC/E™ card installed on the computer (Figure 3-3)
- Waters 845 or 860 system through a LAC/E module (Figure 3-4)
- Waters 2690 Separations Module as part of an Alliance system (Figure 3-5).

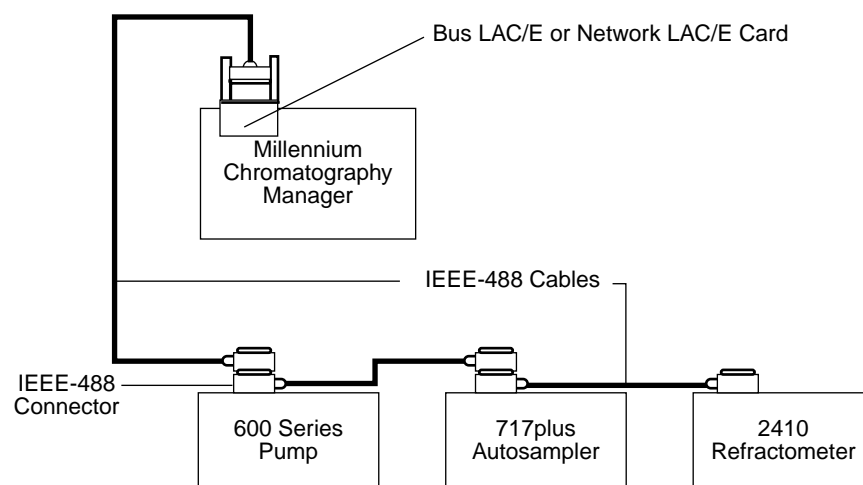


Figure 3-3 Waters Millennium System IEEE-488 Connections

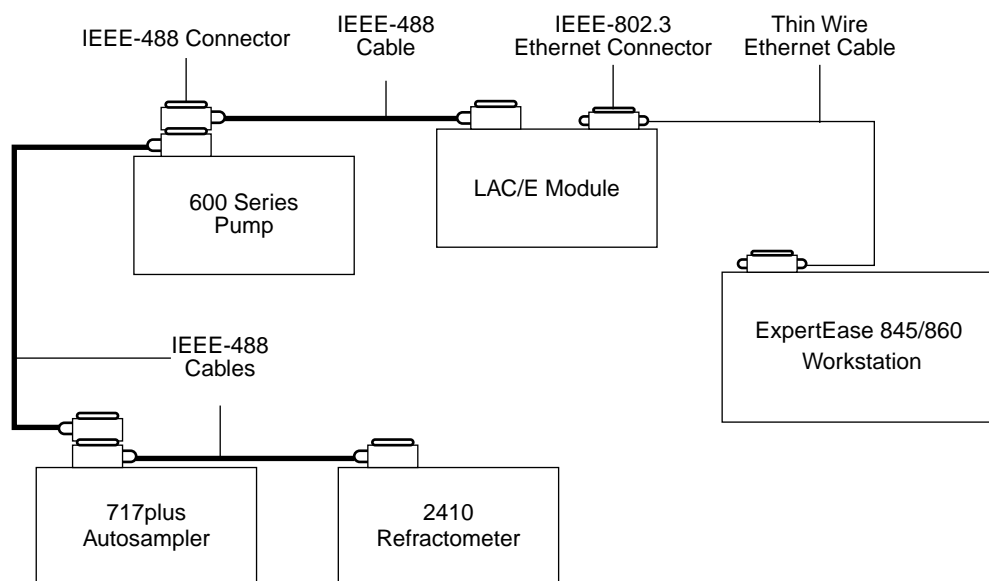


Figure 3-4 Waters 845/860 System IEEE-488 Connections

3

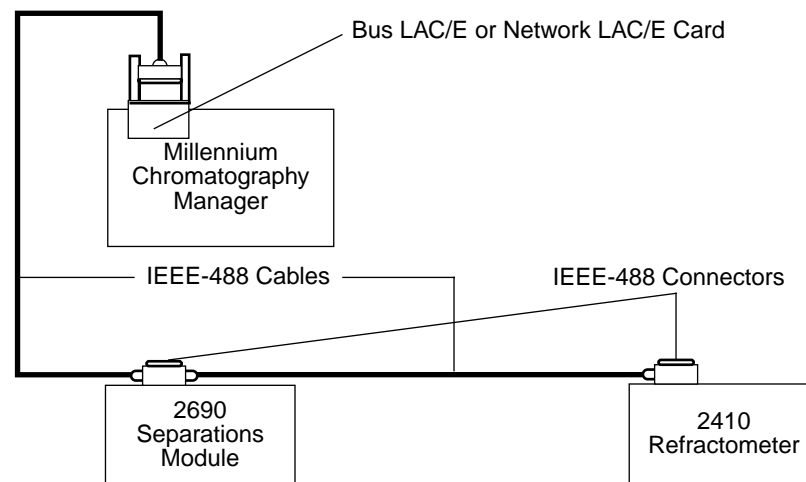


Figure 3-5 Waters Alliance System IEEE-488 Connections

Setting the IEEE-488 Address

Like all other IEEE-488 devices, the 2410 refractometer requires a unique IEEE-488 address to be recognized by an IEEE-488 controller, such as a Millennium Chromatography Manager, busLAC/E module, or an Alliance™ or PowerLine™ System Controller.

The factory-set default IEEE-488 address for the 2410 differential refractometer is 10. To change the IEEE-488 address:

1. Press **2nd Func**, **Clear**, **Clear**, then press **Enter**. The value **diag** is displayed.
2. Press **2nd Func**, **6**, **Enter**.
3. Enter the number corresponding to the desired IEEE-488 address, then press **Enter**.

Note: IEEE-488 addresses must be unique for each instrument in an HPLC system and must be between 2 and 29. Your HPLC system may require that the IEEE-488 address for the 2410 refractometer be greater than that for other devices in the system. Consult your data system or controller operator's manual for more information on IEEE-488 communications.

4. To exit the diagnostic functions, press **2nd Func**, **Clear**, then press **Enter**.

Making Inject Start Signal Connections

When you are using an IEEE-488 data system with the 2410 differential refractometer, the data system or controller must receive an inject start signal from the autosampler or manual injector to initiate the data collection and time-based programs.

Note: Depending on your system configuration, the inject start signal can be transmitted through the IEEE-488 interface or the analog-out/event-in connectors on the 2410 refractometer rear panel. For information on non-IEEE-488 connections, see [Section 3.3, Making Non-IEEE-488 Signal Connections](#).

[Table 3-2](#) summarizes the inject start connections for different system configurations.

Note: If multiple devices in your system require an inject start signal, connect trigger wires from the same (inject out) terminal on the injector to each device.

Table 3-2 Waters 2410 Refractometer Inject Start Connections

Inject Start Output Source	Inject Start Input Connection (on the 2410 Refractometer)
Waters 715, 717, and 717plus, and 2690 Separations Module, on the IEEE-488 bus	IEEE-488 interface (see Section 3.2.1, Connecting to a Waters Data System Using the IEEE-488 Bus) Note: If you are using the Waters 845 or 860 Data System, you must program the multi-method to Start By LAC/E (refer to the ExpertEase Reference Guide for details).
Waters 715, 717, and 717plus <i>not</i> on the IEEE-488 bus	Chart Mark and Ground
Waters 2690 Separations Module <i>not</i> on the IEEE-488 bus	Chart Mark and Ground or Auto Zero and Ground
Waters 712 Autosampler	Chart Mark and Ground
Waters manual injector, or third-party manual injector or autosampler	Chart Mark and Ground

3.2.2 Connecting to a Waters PowerLine System Controller

To connect the 2410 refractometer to a Waters PowerLine system controller, use the IEEE-488 interface cables as shown in [Figure 3-6](#).

Each fluid-handling unit is configured with either of the following:

- Integrated manual injector (built in as part of the drawer or shelf unit)
- Externally connected manual injector or autosampler

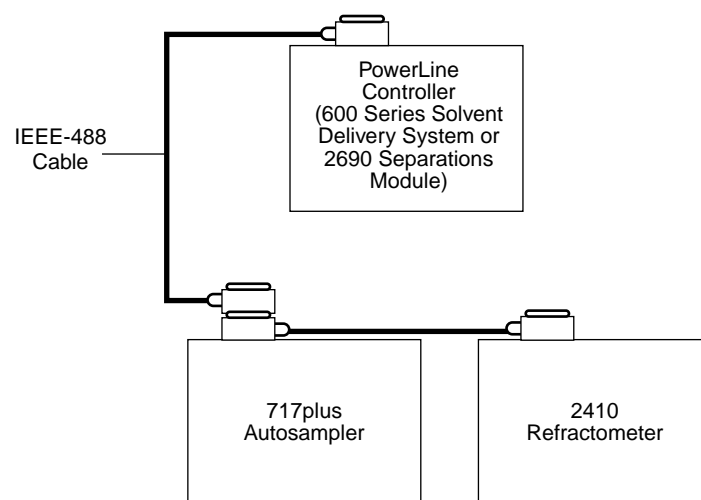


Figure 3-6 Waters PowerLine System Controller IEEE-488 Connections

3.2.3 Connecting to a Manual Injector

If you are using a manual injector with your IEEE-488 system, connect the signal cables from the rear panel connector on the 2410 refractometer to the injector as indicated in [Table 3-3](#).

Table 3-3 Waters 2410 Connections to a Manual Injector

2410 Refractometer (Connector B)	Manual Injector
Chart Mark + (red)	One set of spade lug Chart Mark terminals (the Waters injector includes two pairs of cables that are functionally identical)
Chart Mark - (black)	

For information on injection trigger signals from a manual injector, see [Section 3.3.5, Connecting Injection Trigger Signals](#).

3.3 Making Non-IEEE-488 Signal Connections

To connect the 2410 refractometer to instruments that lack an IEEE-488 bus, you use the analog-out/event-in (I/O) connectors on the rear panel ([Figure 3-7](#)). [Figure 3-7](#) shows the two I/O connectors (and their corresponding pin-outs) on the 2410 refractometer rear panel. [Table 3-4](#) describes the functions of each connector.

This section describes signal connections between the 2410 refractometer rear panel analog-out/event-in connectors and the following:

- Waters 2690 Separations Module (used independently of the IEEE-488 interface)
- Waters 745/745B/746 Integrator
- Chart recorder
- Waters SAT/IN module
- Waters or other manual injector
- Other manufacturer's integrator or A/D interface device

3



Caution: To avoid electrical shock, power off the 2410 refractometer before making any electrical connections.



Attention: To meet the regulatory requirements of immunity from external electrical disturbances that may affect the performance of this instrument, do not use cables longer than 9.8 feet (3 meters) when you make connections to the analog-out/event-in connectors. In addition, ensure you always connect the shield of the cable to ground at one instrument only.

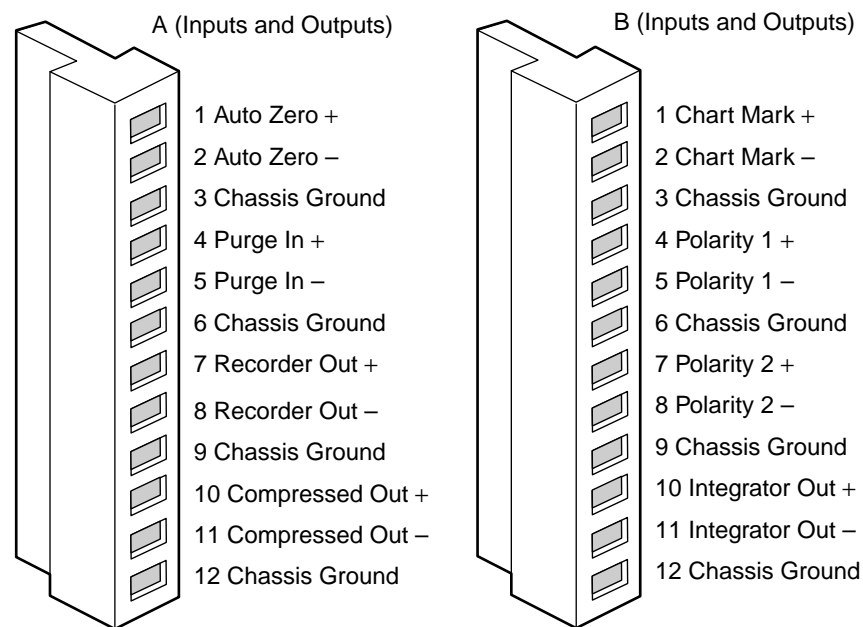


Figure 3-7 Waters 2410 Rear Panel Analog-Out/Event-In Connectors

[Table 3-4](#) describes the functions of the 2410 refractometer analog-out/event-in connectors.

Table 3-4 Waters 2410 Analog-Out/Event-In Connections

Signal Connections	Description
Chart Mark Polarity 1 and 2 Auto Zero Purge	Accept TTL-level (0 to +5 V) or contact closure signals from an external instrument
Recorder Out	Sends a ± 2 V (full scale) signal to a chart recorder
Integrator Out	Sends a ± 2 V (full scale) signal to an integrator or computer

Table 3-4 Waters 2410 Analog-Out/Event-In Connections (Continued)

Signal Connections	Description
Compressed Out	Sends a compressed (logarithmic) 0 to +10 mV maximum output signal to a chart recorder or integrator

3.3.1 Connecting to a Stand-Alone 2690 Separations Module

Note: When you use the 2690 Separations Module as the system controller on the IEEE-488 bus, follow the instructions for connecting to a Waters PowerLine system (see [Section 3.2.2, Connecting to a Waters PowerLine System Controller](#)).

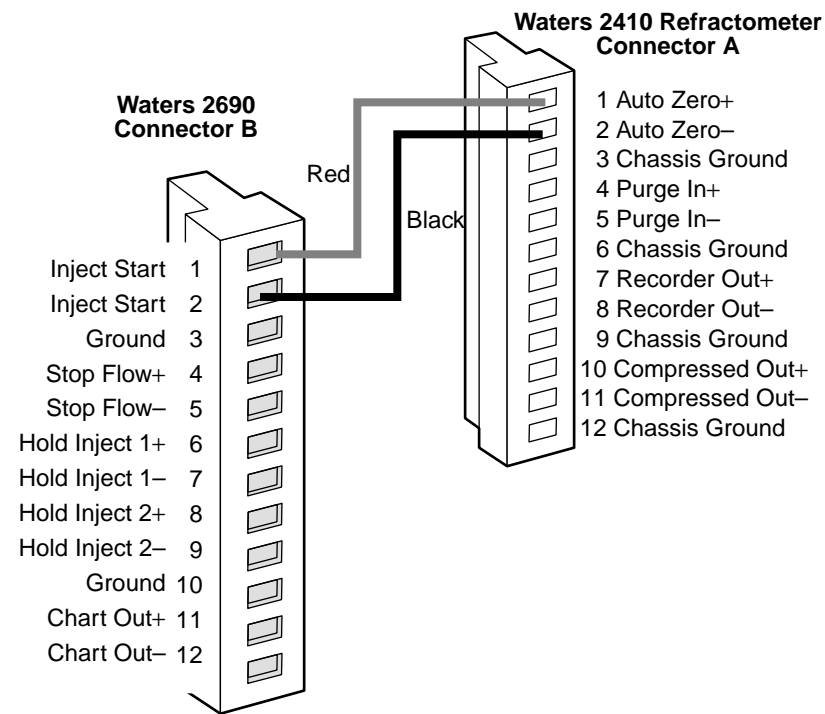
When you use the 2690 Separations Module as a stand-alone controller (not on the IEEE-488 bus or under Millennium software control), you can make the following signal connections using the 2410 refractometer analog-out/event-in connectors:

- Auto zero on inject
- Chart mark on inject
- Both chart mark and auto zero on inject

Generating Auto Zero on Inject

To generate the auto zero function on the 2410 refractometer at the start of an injection from the 2690 Separations Module, make the connections shown in the table below and [Figure 3-8](#).

2690 Separations Module (Connector B)	2410 Refractometer (Connector A)
Pin 1 Inject Start	Pin 1 Auto Zero +
Pin 2 Inject Start	Pin 2 Auto Zero –



TP01527

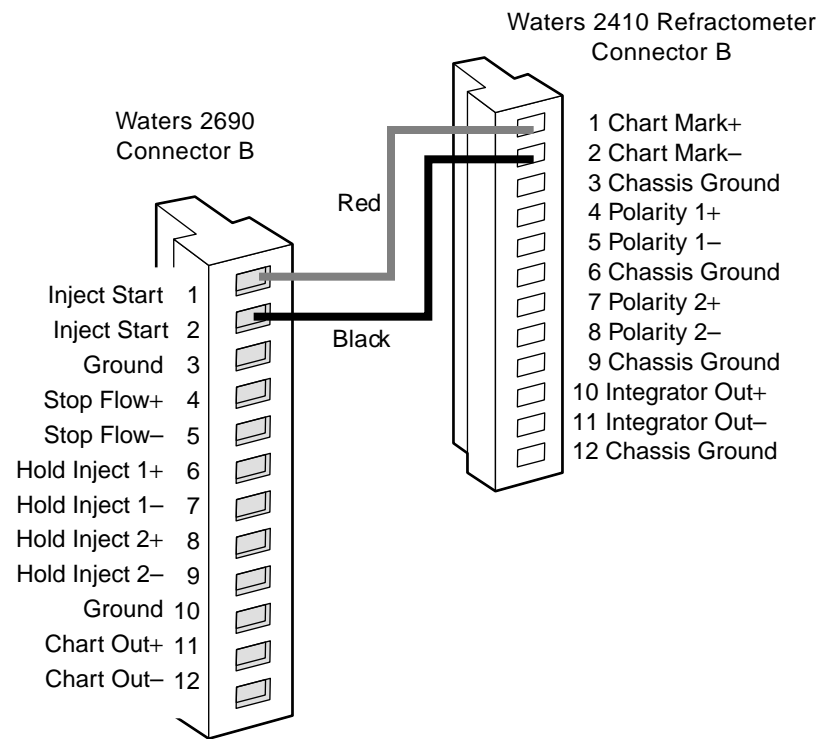
Figure 3-8 Auto Zero Connections Between the 2690 Separations Module and the 2410 Refractometer

3

Generating Chart Mark on Inject

To generate the chart mark function on the 2410 refractometer at the start of an injection from the 2690 Separations Module, make the connections shown in the table below and [Figure 3-9](#).

2690 Separations Module (Connector B)	2410 Refractometer (Connector B)
Pin 1 Inject Start	Pin 1 Chart Mark +
Pin 2 Inject Start	Pin 2 Chart Mark -



TP01527

Figure 3-9 Chart Mark Connections Between the 2690 Separations Module and the 2410 Refractometer

Generating Chart Mark and Auto Zero

To generate both a chart mark and an auto zero signal from the 2690 Separations Module to the 2410 refractometer, make the connections shown in the table below and [Figure 3-10](#).

2690 Separations Module (Connector B)	2410 Refractometer (Connector A)	2410 Refractometer (Connector B)
Pin 1 Inject Start	Pin 1 Auto Zero +	Pin 1 Chart Mark +
Pin 2 Inject Start	Pin 2 Auto Zero -	Pin 2 Chart Mark -

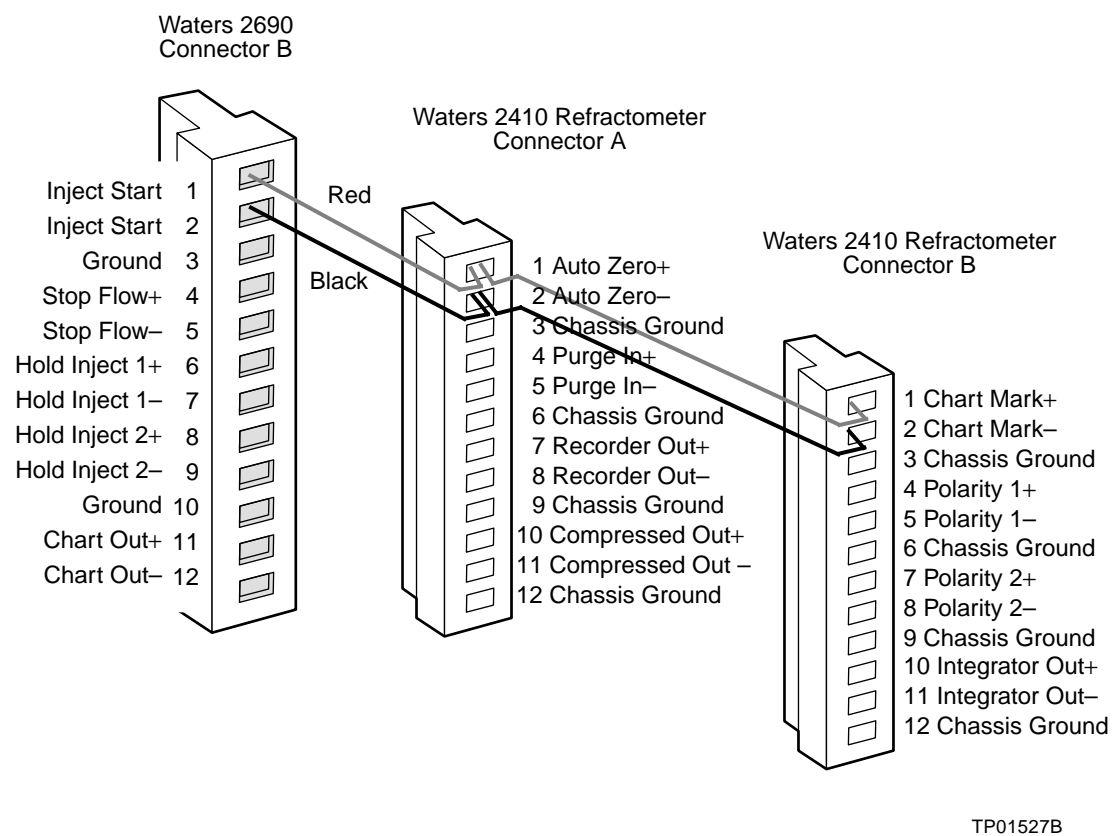


Figure 3-10 Chart Mark and Auto Zero Connections Between the 2690 Separations Module and the 2410 Refractometer

3.3.2 Connecting to the Waters 745/745B/746 Data Module

To send an integrator analog output signal (-2V to +2V) from the 2410 refractometer to the Waters 745/745B/746 Data Module, make the connections shown in [Table 3-5](#) and [Figure 3-11](#).

Table 3-5 Analog Output Connections to a 745/745B/746 Data Module

745/745B/746 Rear Panel Connectors	2410 Refractometer (Connector B)
CHA (+)	Pin 10 Integrator Out+ (red)

Table 3-5 Analog Output Connections to a 745/745B/746 Data Module (Continued)

745/745B/746 Rear Panel Connectors	2410 Refractometer (Connector B)
CHA (-)	Pin 11 Integrator Out- (black)
Shield not used; tape back to prevent shorting.	

Note: If you use the Waters 745/745B/746 with a chart recorder, use separate channels for plotting and integration. Otherwise, changes in chart recorder attenuation may affect the integration of the peaks.

Note: If you use another manufacturer's integrator or A/D device, you may need to connect the Chassis Ground (pin 12) to the 2410 detector's Integrator Out- (black lead) or an equivalent connection.

3

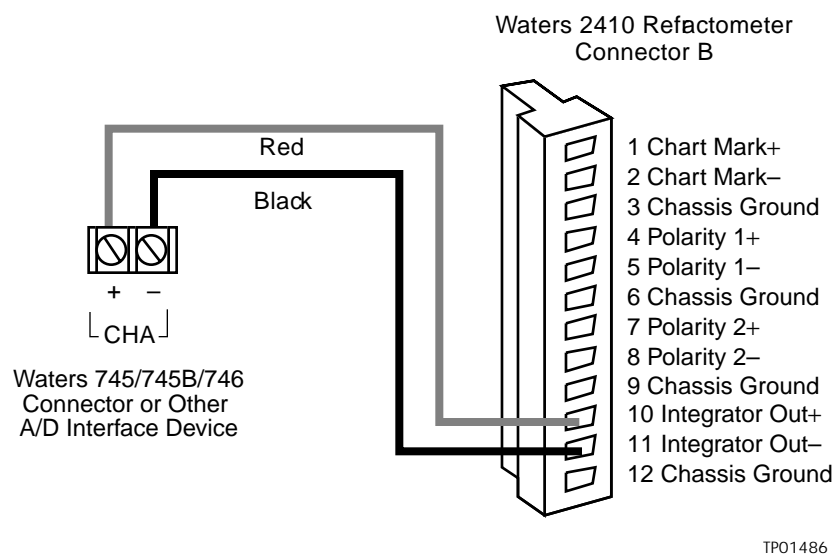


Figure 3-11 Connections to a Waters 745/745B/746 Data Module

3.3.3 Connecting to a Chart Recorder

To send an analog output signal from the 2410 refractometer to a chart recorder, make the connections shown in [Table 3-6](#) and [Figure 3-12](#).

Table 3-6 Analog Output Connections to a Chart Recorder

Chart Recorder Connectors	2410 Refractometer (Connector A)
Pen 1 (+)	Pin 7 Recorder Out + (red)
Pen 1 (-)	Pin 8 Recorder Out - (black)
Shield not used; tape back to prevent shorting.	

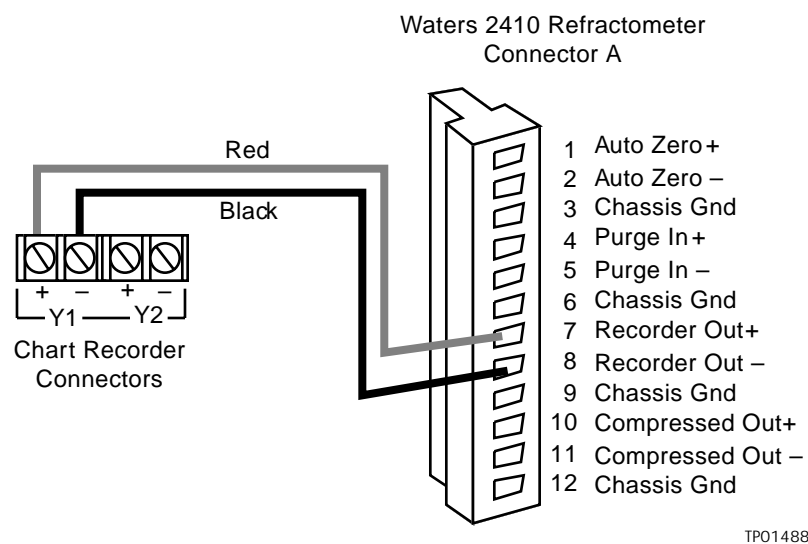


Figure 3-12 Analog Output Connections to a Chart Recorder

Performing Chart Mark with the Chart Recorder

If you are controlling the 2410 refractometer from the 745/745B/746 data module and you want to send a chart mark pulse to the chart recorder at the start of each run, connect the external device (system controller, autosampler, or manual injector) to the 2410 refractometer Chart Mark screw terminals, as described in Section 3.3.2, Connecting to the Waters 745/745B/746 Data Module.

3.3.4 Connecting to the Waters 845/860 ExpertEase System

To send an integrator analog output signal (–2V to +2V) from the 2410 refractometer to an 845/860 ExpertEase System (through a two-channel SAT/IN module), make the connections shown in [Table 3-7](#) and [Figure 3-13](#).

Table 3-7 Analog Output Connections to the Bus SAT/IN Module

SAT/IN Module Connector	2410 Refractometer (Connector B)
CHANNEL 1 or CHANNEL 2	Pin 10 Integrator Out + (white)
	Pin 11 Integrator Out – (black)

See [Section 3.2.1, Connecting to a Waters Data System Using the IEEE-488 Bus](#), [Figure 3-4](#), for information on connecting the remaining components of the 845/860 Data System.

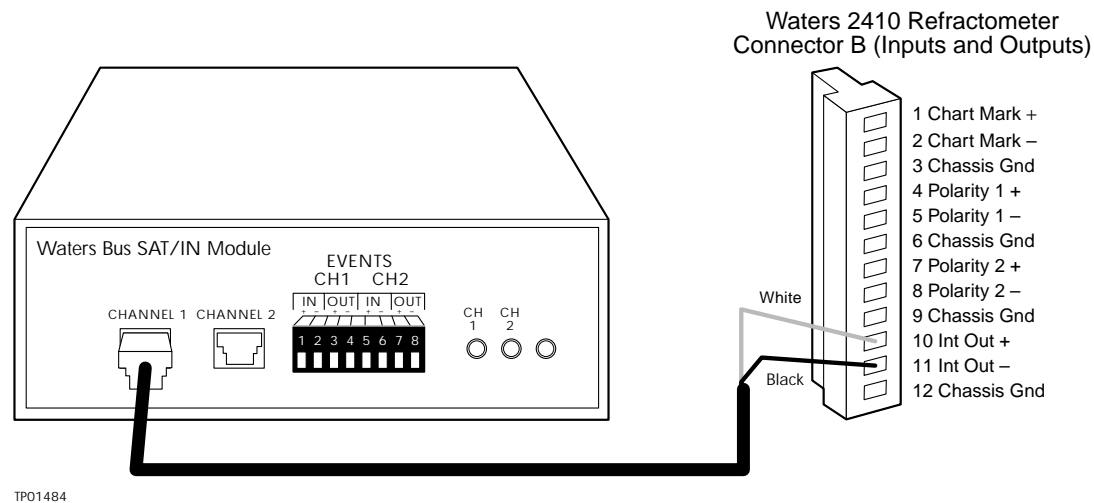


Figure 3-13 Analog Output Connections to the Bus SAT/IN Module

3.3.5 Connecting Injection Trigger Signals

The 2410 refractometer accepts the following injection trigger signals from a manual injector:

- Auto zero signal to automatically adjust the zero offset of the 2410 refractometer each time the injector makes an injection
- Chart mark (inject start) signal from a contact closure signal with each injection

Each time the 2410 refractometer receives a signal from a manual injector, it performs the corresponding auto zero or chart mark function.

To send an auto zero or chart mark signal from a manual injector to the 2410 refractometer, make the connections shown in [Table 3-8](#) and [Figure 3-14](#) and [Table 3-9](#) and [Figure 3-15](#).

Table 3-8 Auto Zero Connections to a Manual Injector

2410 Refractometer (Connector A)	Manual Injector Connector
Pin 1, Auto Zero + (red)	Two spade lug terminal connectors (both cables may be functionally identical) or similar connectors.
Pin 2, Auto Zero – (black)	

3

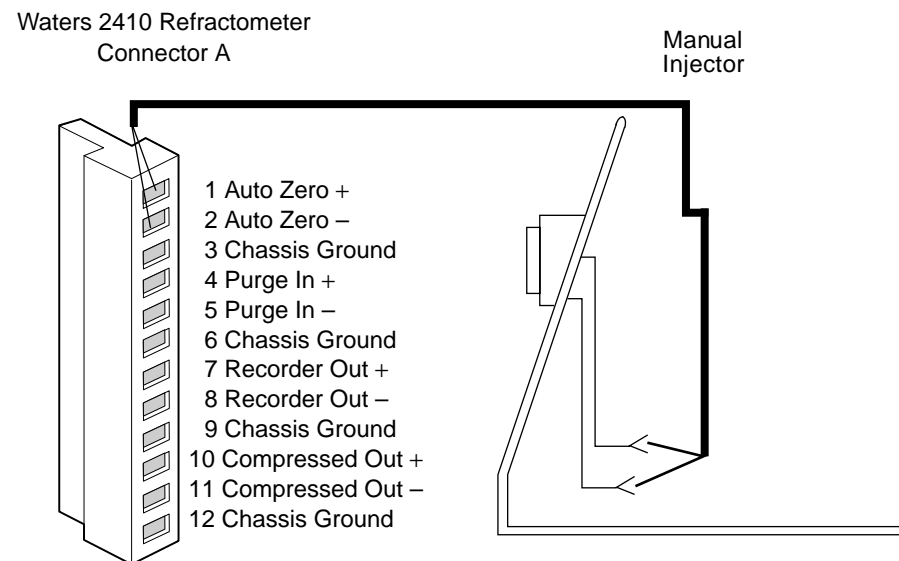


Figure 3-14 Auto Zero Connection to a Manual Injector

Table 3-9 Chart Mark Connections to a Manual Injector

2410 Refractometer (Connector B)	Manual Injector Connector
Pin 1, Chart Mark + (red)	Two spade lug terminal connectors (both cables may be functionally identical) or similar connectors.
Pin 2, Chart Mark – (black)	

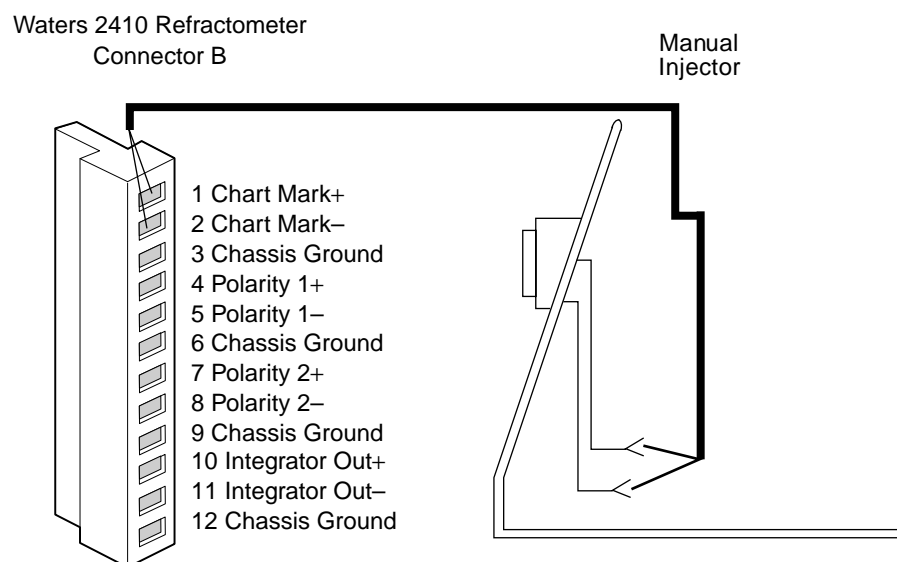


Figure 3-15 Chart Mark Connections to a Manual Injector

3.3.6 Polarity Connections

The Polarity 1 and 2 contact closures on the rear panel of the 2410 refractometer determine the peak polarity of the output signal according to the following conditions (negative polarity results in negative, or inverted, peaks):

- Polarity 1 serves as a positive/negative input
- Polarity 2 serves as an external input (Polarity 1) enable

- When Polarity 2 is open (not connected), the +/- key on the 2410 front panel or an IEEE-488 connected data system (such as the Millennium Chromatography Manager or PowerLine) determines the polarity (see [Section 5.2.5, Polarity Guidelines](#)).
- When Polarity 2 is closed (connected to an instrument), Polarity 1 determines peak polarity. Polarity 1 open (disconnected) generates negative polarity. Polarity 1 closed (connected) generates positive polarity.

[Table 3-10](#) summarizes the polarity options.

Table 3-10 Polarity Options

Polarity 2	Polarity 1	Recorder Polarity
Open	Open	No Effect
Open	Closed	No Effect
Closed	Open	Negative (Inverted)
Closed	Closed	Unchanged

3.4 Connecting the External Column Heaters

The Waters 2410 Differential Refractometer can control up to two optional external column heaters through the EXT 1 and EXT 2 ports I on the rear panel of the detector ([Figure 3-16](#)). The ports are standard 9-pin DIN connectors.

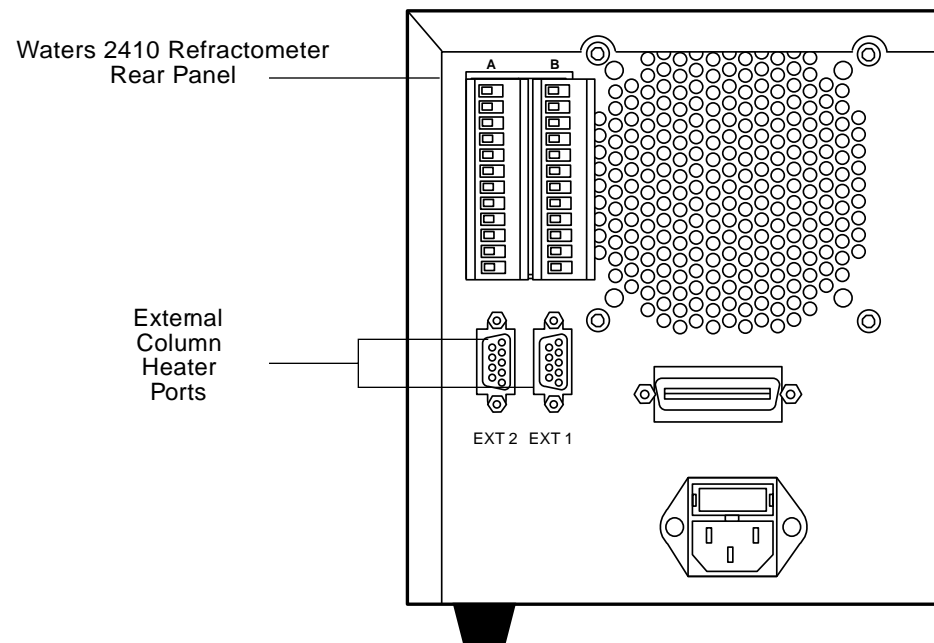


Figure 3-16 2410 Refractometer External Column Heater Ports

3

4

Preparing Solvents

Proper solvent selection and preparation are critical in differential refractometry to prevent baseline changes such as drift, noise, or an erratic baseline. This chapter presents information on:

- Common solvent problems
- Selecting a solvent
- Solvent degassing



Caution: To avoid chemical hazards, always observe good laboratory practices when handling solvents. Refer to the Material Safety Data Sheets shipped with solvents for handling information.

4.1 Common Solvent Problems

The 2410 refractometer measures changes in the concentration of the solution flowing through the sample side of the flow cell (see [Section 1.2, Theory of Operation](#)). However, factors other than the presence of dissolved sample molecules can affect a solution's refractive index. Common problems include:

- Changes in temperature
- Changes in pressure
- Contaminants
- Separation of mixed solvents
- Outgassing of dissolved gases

4.2 Selecting a Solvent

An ideal solvent for your analysis:

- Has good solubility characteristics for your application
- Has a significantly different refractive index (RI) than the sample components
- Gives satisfactory baseline noise performance
- Provides optimum optical sensitivity characteristics

Solvent Quality

Use spectral-grade or HPLC-grade solvents to ensure:

- Reproducible results
- Operation with minimal instrument maintenance
- Minimal optical interference

A dirty or impure solvent can cause:

- Baseline noise and drift
- Plugged columns
- Blockages in the fluidic path

Preparation Checklist

The following solvent preparation guidelines help to ensure stable baselines and good resolution:

- Filter solvents with a 0.45- μm filter.
- Degas and/or sparge the solvent.
- Stir the solvent.
- Keep solvents in a place free from drafts and shock.

Water

Use water only from a high-quality water purification system. If the water system does not provide filtered water, filter it through a 0.45- μm membrane filter before use.

Buffers

When you use buffers, dissolve salts first, adjust the pH, then filter to remove undissolved material.

Tetrahydrofuran (THF)

When you use unstabilized THF, ensure that your solvent is fresh. Previously opened bottles of THF contain peroxide contaminants, which cause baseline drift.



Caution: THF contaminants (peroxides) are potentially explosive if concentrated or taken to dryness.

Refractive Indices of Common Solvents

[Table 4-1](#) lists the refractive indices for some common chromatographic solvents. Use this table to verify that the solvent you intend to use for your analysis has an RI significantly different from the sample components.

Table 4-1 Refractive Indices of Common Solvents

Solvent	RI	Solvent	RI
Fluoroalkanes	1.25	Tetrahydrofuran (THF)	1.408
Hexafluoroisopropanol (HFIP)	1.2752	Amyl alcohol	1.410
Methanol	1.329	Diisobutylene	1.411
Water	1.33	<i>n</i> -Decane	1.412
Acetonitrile	1.344	Amyl chloride	1.413
Ethyl ether	1.353	Dioxane	1.422
<i>n</i> -Pentane	1.358	Ethyl bromide	1.424
Acetone	1.359	Methylene chloride	1.424
Ethanol	1.361	Cyclohexane	1.427
Methyl acetate	1.362	Ethylene glycol	1.427
Isopropyl ether	1.368	N,N-dimethyl formamide (DMF)	1.428
Ethyl acetate	1.370	N,N-dimethyl acetamide (DMAC)	1.438

Table 4-1 Refractive Indices of Common Solvents (*Continued*)

Solvent	RI	Solvent	RI
1-Pentene	1.371	Ethyl sulfide	1.442
Acetic acid	1.372	Chloroform	1.443
Isopropyl chloride	1.378	Ethylene dichloride	1.445
Isopropanol	1.38	Carbon tetrachloride	1.466
<i>n</i> -Propanol	1.38	Dimethyl sulfoxide (DMSO)	1.477
Methylethylketone	1.381	Toluene	1.496
Diethyl amine	1.387	Xylene	~1.50
<i>n</i> -Propyl chloride	1.389	Benzene	1.501
Methylisobutylketone	1.394	Pyridine	1.510
Nitromethane	1.394	Chlorobenzene	1.525
1-Nitropropane	1.400	<i>o</i> -Chlorophenol	1.547
Isooctane	1.404	Aniline	1.586
Cyclopentane	1.406	Carbon disulfide	1.626

4

4.3 Solvent Degassing

Using degassed solvents is the most important step in solvent preparation. Degassing provides:

- Stable baselines and enhanced sensitivity
- Reproducible retention times
- Stable pump or solvent delivery system operation

This section presents information on the solubility of gases, solvent degassing methods, and solvent degassing considerations.

4.3.1 Gas Solubility

The amount of gas that can dissolve in a given volume of liquid depends on:

- The chemical affinity of the gas for the liquid
- The temperature of the liquid
- The pressure applied to the liquid

Changes in the composition, temperature, or pressure of the mobile phase can lead to outgassing.

Effects of Intermolecular Forces

Nonpolar gases (N₂, O₂, CO₂, He) are more soluble in nonpolar solvents than in polar solvents. Generally, a gas is most soluble in a solvent with intermolecular attractive forces similar to those in the gas (“like dissolves like”).

Effects of Temperature

Temperature affects the solubility of gases. If the dissolution is exothermic, the solubility of the gas decreases when you heat the solvent. If the dissolution is endothermic, the solubility increases when you heat the solvent. For example, the solubility of He in H₂O decreases with an increase in temperature, but the solubility of He in benzene increases with an increase in temperature.

Effects of Partial Pressure

The mass of gas dissolved in a given volume of solvent is proportional to the partial pressure of the gas in the vapor phase of the solvent. If you decrease the partial pressure of the gas, the amount of that gas in solution also decreases.

4.3.2 Solvent Degassing Methods

Solvent degassing helps you attain a stable baseline and also improves reproducibility and pump performance.

There are three common methods used to degas solvents:

- Sparging with helium
- Reducing pressure by vacuum
- Sonication

These methods may be used individually or in combination. Vacuum sonication followed by sparging is the most effective technique for most solvents.

Sparging

Sparging removes gases from solution by displacing dissolved gases in the solvent with a less soluble gas, usually helium. Well-sparged solvent improves pump performance. Helium sparging brings the solvent to a state of equilibrium, which may be maintained by slow sparging or by keeping a blanket of helium over the solvent. Blanketing inhibits reabsorption of atmospheric gases.

Note: *Sparging may change the composition of mixed solvents.*

Vacuum Degassing

The in-line vacuum degasser operates on the principle of Henry's Law to remove dissolved gases from the solvent. Henry's Law states that the mole fraction of a gas dissolved in liquid is proportional to the partial pressure of that gas in the vapor phase above the liquid. If the partial pressure of a gas on the surface of the liquid is reduced, for example, by evacuation, then a proportional amount of that gas comes out of solution.

Note: *Vacuum degassing may change the composition of mixed solvents.*

Sonication

Sonication with high energy sound waves drives energy into the solvent and causes the submicron-sized "bubbles" of gas to aggregate. As the gas bubbles aggregate, they become large enough to float out of the solvent and dissipate. Sonication alone degasses 4 liters of solvent in approximately 22 minutes.

4

4.3.3 Solvent Degassing Considerations

Select the most efficient degassing operation for your application. To remove dissolved gas quickly, consider the following:

Sparging

Helium sparging results in a more stable detector baseline and better detector sensitivity than sonication, and prevents reabsorption of atmospheric gases. Use this method to retard oxidation when you are using THF or other peroxide-forming solvents.

Vacuum Degassing

The longer a solvent is exposed to the vacuum, the more dissolved gases are removed. Two factors affect the amount of time the solvent is exposed to the vacuum:

- **Flow rate** – At low flow rates, most of the dissolved gas is removed as the solvent passes through the vacuum chamber. At higher flow rates, lesser amounts of gas per unit volume of solvent are removed.
- **Surface area of the degassing membrane** – The length of the degassing membrane is fixed in each vacuum chamber. To increase the length of membrane, you can connect two or more vacuum chambers in series.

The in-line degasser is available as an option or factory-installed in the Waters® 2690 Separations Module, XE model.

When you are using the 2690 Separations Module with the 2410 refractometer, set the in-line degasser to “continuous” degas mode.

Select the most efficient degassing operation for your application. To remove dissolved gas quickly, consider the following degassing considerations.

Sonication Plus Vacuum

Sonication combined with vacuum degasses solvent very quickly. This technique is less likely to change the composition of mixed solvents because the mixed solvents are held under vacuum for only a short time (less than a minute is usually sufficient).



Caution: Do not apply vacuum to the brown glass bottles in which solvent is shipped. There is a high risk of implosion under these conditions. Use a thick-walled container designed for vacuum applications.

5

Using the 2410 Refractometer

This chapter covers:

- Using the Front Panel
- Selecting Parameters
- Routine Startup
- Powering Off

Stand-Alone Mode

You can use the Waters 2410 Differential Refractometer as a stand-alone module in conjunction with a pump, injector, column, and a recorder or integrator. In this configuration, you control the 2410 refractometer from its front panel. To use the 2410 refractometer in this way, follow the instructions provided in this chapter.

Remote Control Mode

You can use the 2410 refractometer as part of a system configured and controlled by a Waters data system, such as the Millennium Chromatography Manager, or a Waters PowerLine system controller (including the 2690 Separations Module). If you set up the 2410 refractometer in this way, follow the instructions in the appropriate data system or controller operator's guide to set parameters and to control the 2410 refractometer. When the 2410 refractometer is operating in remote control mode, you can continue to run diagnostics from the front panel (see [Section 7.3, Diagnostics](#)).

Note: Read [Chapter 4, Preparing Solvents](#), before using the 2410 refractometer.

5.1 Using the Front Panel

The 2410 refractometer front panel consists of a four-character LED display, eight LED parameter indicators, and a keypad ([Figure 5-1](#)).

Four-Character LED Display

The four-character LED display shows parameter and input values. To display the value of a parameter, press the appropriate parameter key (Figure 5-1 and Table 5-1). The parameter is displayed (in the four-character LED), and its corresponding indicator remains illuminated until you select another parameter.

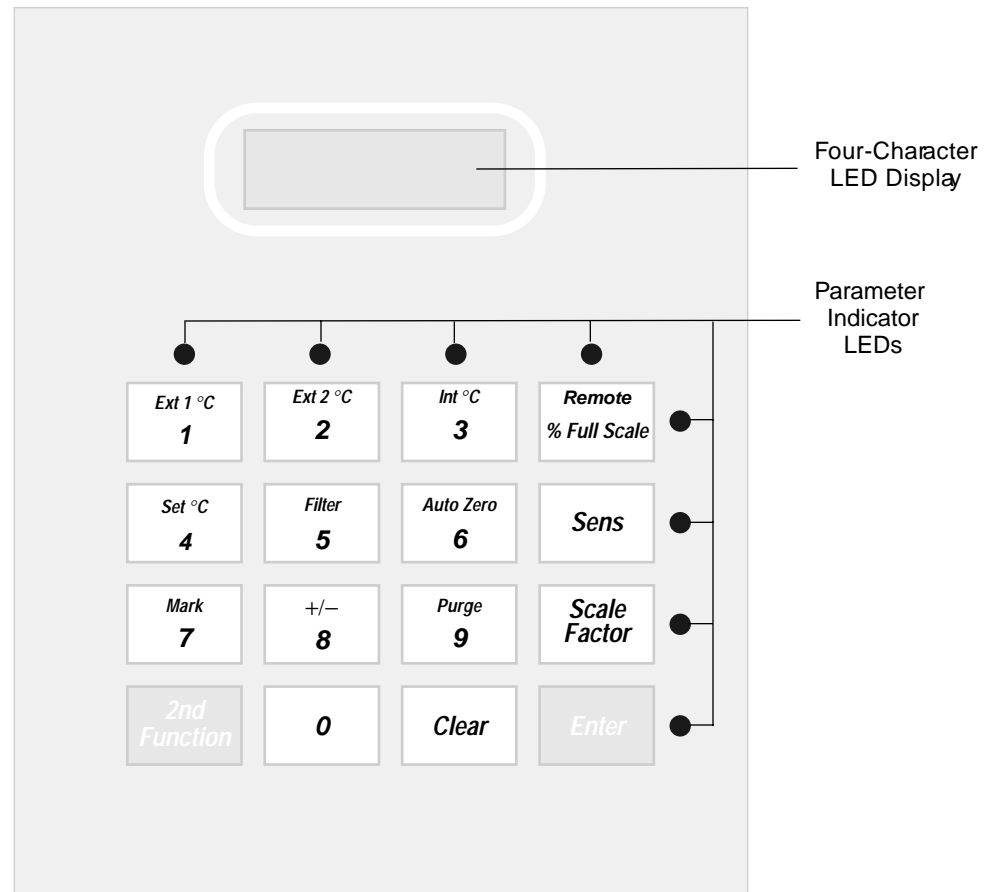


Figure 5-1 Display, LED Indicators, and Keypad

LED Parameter Indicators

Eight parameter indicator LEDs are located above and to the right of the numeric keypad (Figure 5-1). When you select a parameter from those described in Table 5-1, the corresponding LED illuminates.

Table 5-1 Indicator LED Functions

Parameter Indicator	Description
Ext 1 °C Ext 2 °C	Illuminates when the current settings for the external column heaters are displayed in the four-character LED; also illuminates when you are changing the settings for the external column heaters.
Int °C	Illuminates when the temperature of the internal oven is displayed in the four-character LED; also illuminates when you are changing the temperature.
Remote	Illuminates when the 2410 refractometer is under the control of a remote controller.
% Full Scale	Illuminates when the chart recorder output of the 2410 differential refractometer (as a percent referenced to 10 mV) is displayed in the four-character LED.
Sens	Illuminates when the current sensitivity setting is displayed in the four-character LED; also illuminates when you are changing the sensitivity.
Scale Factor	Illuminates when the current scale factor setting is displayed in the four-character LED; also illuminates when you are changing the scale factor.
2nd Func	Illuminates when the 2nd Func key is activated (after pressing the 2nd Func key); stays illuminated for five seconds, waiting for you to press the key whose secondary function you want to access.

5.1.1 Keypad Functions

You use the keypad (see [Figure 5-1](#)) to:

- View the current settings or values of parameters
- Select or enter new parameter settings
- Activate specific operational functions
- Perform diagnostic tests

Some keys scroll through a series of available values. To scroll through the values, you press the key repeatedly until the desired value appears, then release the key and press **Enter**.

Primary and Secondary Functions

Each key is labeled with a *primary function*. When you press a key, the function named on the key is performed. For example, press the **Sens** key and you are prompted to enter a sensitivity value.

Most keys also have a *secondary function*, shown in smaller type (on the key) above the primary function or number. To use a secondary function, press the **2nd Func** key, then the key labeled with the secondary function. For example, press **2nd Func**, then **Purge** to set the 2410 refractometer to purge mode.

[Table 5-2](#) describes how to use the primary and secondary functions.

Table 5-2 Keypad Functions

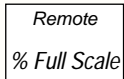
Key	Description
	Primary
	% Full Scale – Displays the chart recorder (REC) output (in millivolts) of the 2410 refractometer as a percent referenced to 10 mV. When the display reads 0001, the output is 1 percent of 10 mV, or 0.1 mV. A value of 0100 means that the output is 100 percent, or 10.0 mV.
	Secondary
	Remote – When the 2410 refractometer is under active control by a data system or system controller through the IEEE-488 interface, the Remote indicator is illuminated.

Table 5-2 Keypad Functions (Continued)

Key	Description
<div style="border: 1px solid black; padding: 2px; width: fit-content; margin: 0 auto;">Sens</div>	<p>Sens – Displays the current or selects a new sensitivity value. Repeated pressing of the key scrolls through the allowable values between 1 (least sensitive) and 1024 (most sensitive); or, you can enter a numeric value (only powers of 2 are allowed, such as 2, 4, 8, 16, 32, and so on). The default value is 4. For more information, see Section 5.2.1, Sensitivity Guidelines.</p>
<div style="border: 1px solid black; padding: 2px; width: fit-content; margin: 0 auto;">Scale Factor</div>	<p>Scale Factor – Selects a scale factor, with allowable values between 1 and 100. The default value is 20.</p> <p>Scale factor affects the magnitude of the peaks on the chart recorder output only. Scale factor does not affect integrator or IEEE-488 data output; it functions as an attenuator for the chart recorder output. See Section 5.2.2, Scale Factor Guidelines, for more information.</p>
<div style="border: 1px solid black; padding: 2px; width: fit-content; margin: 0 auto;">Enter</div>	<p>Enter – Saves parameter settings in the memory of the 2410 refractometer.</p>
<div style="border: 1px solid black; padding: 2px; width: fit-content; margin: 0 auto;">Clear</div>	<p>Clear – Erases unsaved parameter entries.</p>
<div style="border: 1px solid black; padding: 2px; width: fit-content; margin: 0 auto;">2nd Func</div>	<p>2nd Func – Accesses secondary functions. Pressing the 2nd Func key activates secondary functions. Stays active for five seconds during which the indicator LED located to the right of the Enter key is illuminated.</p>
<div style="border: 1px solid black; padding: 2px; width: fit-content; margin: 0 auto;">0-9</div>	<p>Primary</p>
	<p>0-9 – Used to enter values for parameters. After entering a numeric value, press Enter.</p>

Table 5-2 Keypad Functions (Continued)

Key	Description
<div style="border: 1px solid black; padding: 2px; margin-bottom: 5px; text-align: center;">Ext 1 °C 1</div> <div style="border: 1px solid black; padding: 2px; text-align: center;">Ext 2 °C 2</div>	<p>Secondary</p> <p>Ext1 °C and Ext2 °C – Display the temperature setting of a selected external column heater in degrees Celsius.</p> <p>To change the temperature of a column heater:</p> <ol style="list-style-type: none"> 1. Press 2nd Func followed by Ext1 °C or Ext2 °C. The current temperature setting of the column heater appears in the display, and the corresponding indicator lights up. 2. Press 2nd Func, Set °C, enter the new temperature (ambient to 150 °C), then press Enter. 3. Press Clear to disable. <p>The value of 245.7 appears when no column heater is connected.</p>
<div style="border: 1px solid black; padding: 2px; text-align: center;">Int °C 3</div>	<p>Int °C –Displays the current temperature of the internal oven. This is the value that flashes on startup. Press Clear to stop it from flashing.</p> <p>To change the temperature:</p> <ol style="list-style-type: none"> 1. Press 2nd Func followed by Int °C. The temperature of the internal oven appears in the display, and the corresponding indicator lights up. 2. Press 2nd Func, Set °C, enter the new temperature (30 °C to 50 °C), then press Enter. <p>Note: It takes several hours for the optics bench assembly to stabilize at the new temperature. Do not make a run until the temperature has stabilized; the changing temperature causes baseline drift.</p>

Table 5-2 Keypad Functions (Continued)

Key	Description
<div style="border: 1px solid black; padding: 5px; text-align: center;"> Set °C 4 </div>	<p>Set °C – Sets the temperature of a column heater or the internal oven. The range of allowable values (“set points”) for the internal oven is 30 to 50 °C; for the column heaters, it is 0 to 150 °C.</p> <p><i>Note: The minimum stable set point is 5 °C above the ambient temperature.</i></p> <p>To power off the column heater or internal oven:</p> <ol style="list-style-type: none"> 1. Press 2nd Func followed by Ext1 °C, Ext2 °C, or Int °C (for either column heater or for the internal oven). The temperature of the column heater or oven appears in the display, and the corresponding indicator lights up. 2. Press 2nd Func, Set °C, Clear, then press Enter.
<div style="border: 1px solid black; padding: 5px; text-align: center;"> Filter 5 </div>	<p>Filter – Adjusts the time constant of the noise filter to achieve the optimum signal-to-noise ratio. Repeated pressing of the Filter key scrolls through the values 0.2, 1, 3, and 10. Press Enter when you reach the value you want. The default value is 1. For more information, see Section 5.2.3, Time Constant Guidelines.</p>
<div style="border: 1px solid black; padding: 5px; text-align: center;"> Auto Zero 6 </div>	<p>Auto Zero – Adjusts the zero offset of the analog output to compensate for changes in baseline position. Use Auto Zero at any time, for example, before beginning a new run.</p>
<div style="border: 1px solid black; padding: 5px; text-align: center;"> Mark 7 </div>	<p>Mark – Sends a chart mark signal to the recorder or data module. The chart mark is always a 10 percent (of full scale) deflection in the positive direction, regardless of chart polarity.</p>
<div style="border: 1px solid black; padding: 5px; text-align: center;"> +/- 8 </div>	<p>+/- : Changes the chart polarity. Pressing the +/- key once shows the current setting in the four-character LED. Keeping the +/- key pressed alternates through + (POS) and – (NEG). When the display shows the polarity you want, press Enter.</p>
<div style="border: 1px solid black; padding: 5px; text-align: center;"> Purge 9 </div>	<p>Purge – Purges the reference and sample sides of the fluidic path with fresh solvent. Purging requires pressing Purge twice, once to start and then once to finish the purge. During the purge, the display shows the letters PgE.</p> <p>Purge the fluidic path whenever you change solvents or experience an unexpected loss in sensitivity due to excess noise or drift.</p>

Viewing Parameter Values

To view the current value for a primary function parameter, press the key for the parameter whose value you want to see. To view the current value for a secondary function parameter, press **2nd Func**, then press the key for the secondary function value you want to view.

Changing the Sensitivity or Scale Factor

To change a value for the Sens (sensitivity) or Scale Factor:

1. Press the key for the parameter whose value you want to change.
2. Select a new value by scrolling (Sens only) or by entering the value using the numeric keys.
3. Press **Enter** to save the new value. If you enter an unacceptable value, the 2410 refractometer beeps and returns to the previous value.

Changing the Filter Value

To change the value for the filter:

1. Press the **2nd Func** key.
2. Press the **Filter** key to view the current value.
3. Press the **Filter** key repeatedly to scroll to a new value.
4. Press **Enter** to save the new value. If you do not press **Enter** within 5 seconds or if you enter an unacceptable value, the 2410 refractometer beeps and returns to the previous value.

Changing the Oven or Column Heater Temperature

To change the temperature settings for the oven or the external column heaters:

1. Press the **2nd Func** key, then press the key for the unit whose temperature you want to change (**Ext 1 °C**, **Ext 2 °C**, or **Int °C**).
2. Press the **2nd Func** key, then press the **Set °C** key.
3. Enter a new temperature from the numeric keys (pressing **Clear** powers off the internal oven or column heater).
4. Press **Enter** to save the new temperature. If you enter an invalid temperature, the 2410 refractometer beeps and returns to the previous value.

Changing Polarity

To change output polarity:

1. Press the **2nd Func** key, then press the +/- key.
2. Press the +/- key again to reverse the polarity.
3. Press **Enter** to save the new value.

Using Auto Zero, Mark, and Purge

To use Auto Zero, Mark, or Purge:

1. Press the **2nd Func** key, then press the key for the function you want to access (**Auto Zero**, **Mark**, or **Purge**).
2. Press **Enter**.

When you perform the Auto Zero command, the letters **AX** appear on the display.

When you perform the Mark command, the letters **CH** appear on the display.

When you perform the Purge command, the letters **PgE** appear on the display.

To stop purging, press **2nd Func, Purge**, then press **Enter**. The display returns to the function it displayed before the purge began.

5.2 Selecting Parameter Values

You can adjust the noise level, peak height, peak direction, and the temperatures of the internal oven and column heaters to optimize the performance of the 2410 refractometer. This section provides guidelines and considerations for selecting parameter values that are best suited to your application. The parameters are:

- Sensitivity (Sens key)
- Scale factor
- Time constant (Filter key)
- Temperature (Ext1 °C, Ext2 °C, Int °C, Set °C keys)
- Polarity (+/- key)

5.2.1 Sensitivity Guidelines

Sensitivity affects the magnitude of the output signal to an integrator or a recorder. Increasing the sensitivity (Sens) setting increases the resulting peak areas, but it also increases baseline noise and the response to environmental fluctuations. In addition, an increase in sensitivity reduces the dynamic range over which the refractometer output is useful. Refer to [Figure 5-2](#) for examples of the effects of varying the Sens setting on a chromatogram.

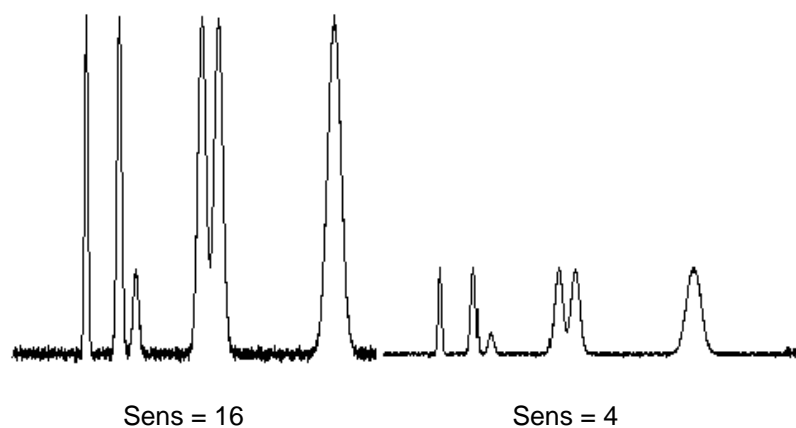


Figure 5-2 Effects of Sensitivity Settings

5.2.2 Scale Factor Guidelines

At high sensitivities, the height of some peaks may be too great to fit on a chart recorder. You can use the scale factor to reduce the plot proportionally. The scale factor affects the refractometer output only to the recorder.

A high scale factor setting results in a large plot, which may cause some peaks to go offscale. A small scale factor setting reduces the height and width of the plot, so small peaks may not be well defined.

Scale factor settings:

- Reduce large peaks to fit the chart recorder scale, but reduce smaller peaks as well.
- Have no effect on peak resolution, only amplitude.

To calculate an appropriate scale factor setting, use the equation:

$$SF = \frac{10,000}{\%FS}$$

where: %FS = the % Full Scale value displayed in the four-character LED display when the 2410 refractometer detects the largest peak (the % Full Scale display reads 100 for a 10 mV signal at the chart recorder output).

Integrator Output Considerations

The relationship between the sensitivity (Sens) setting (S), change in refractive index (Δn), and integrator output voltage (V) is expressed by the equation:

$$\text{Integrator Out (V)} = 200 \times S \times \Delta n$$

The maximum change in refractive index (Δn) that the 2410 refractometer can optically measure is 5×10^{-3} RIU. The integrator output range is limited to ± 2 V full scale.

Chart Recorder Output Considerations

Use of the 2410 refractometer with both an integrator and a chart recorder is possible because you can program the 2410 refractometer with an offset from 0 to 50 mV. The maximum voltage on the recorder output is always 2 V regardless of the sensitivity or scale factor setting; a display of 100% Full Scale on the 2410 front panel is equal to 10 mV.

When the detector output is through the recorder output terminals, you can adjust your plot with the 2410 refractometer scale factor function.

The relationship between the chart recorder output (in millivolts) to the difference in refractive index (Δn), the sensitivity setting (S), and the scale factor (SF) is expressed by the equation:

$$\text{Recorder Output (mV)} = 2000 \times SF \times S \times \Delta n$$

Chart recorder output is limited to ± 2 V full scale.

5.2.3 Time Constant Guidelines

The Filter parameter specifies the filter time constant, which adjusts the response time of the noise filter. Adjusting the noise filter (time) allows you to achieve an optimum signal-to-noise ratio by reducing short-time noise.

Low filter time constant settings:

- Produce narrower peaks with minimum peak distortion and time delay
- Increase baseline noise

High filter time constant settings:

- Shorten and broaden peaks
- Decrease baseline noise

The default filter time constant setting of 1.0 second is appropriate for most applications.

You can calculate an appropriate filter time constant using the equation:

$$TC = 0.2 \times PW$$

where: TC = Time constant setting

PW = Peak width in seconds at half height of the narrowest peak

[Figure 5-3](#) illustrates the effects of the time constant (Filter) settings on the signal.

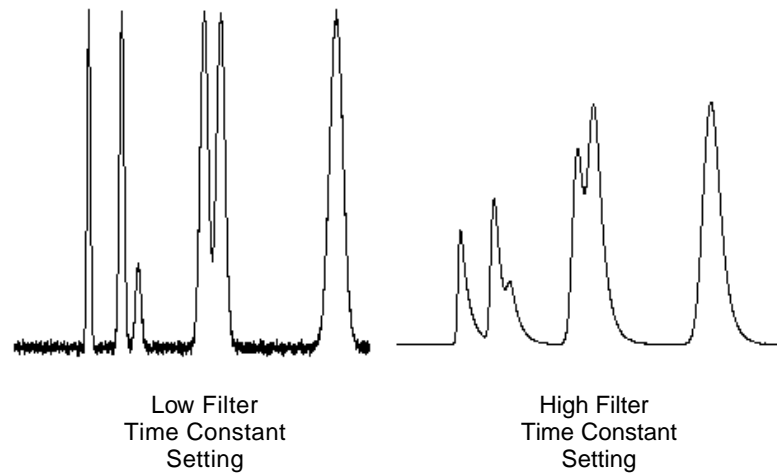


Figure 5-3 Effects of Filter Time Constant Settings

5.2.4 Temperature Guidelines (Ext1 °C, Ext2 °C, Int °C)

The 2410 refractometer permits temperature ranges of 30 to 50 °C for the internal oven (Int °C key), and from 0 to 150 °C for the two external column heaters (Ext1 °C, Ext2 °C). The general operating temperature for the internal oven should be set about 5 °C above the ambient temperature for room temperature applications. This guards against drift caused by variations in the ambient temperature.

Be aware that higher temperature settings generally:

- Reduce the viscosity of the mobile phase
- Increase the solubility of the sample
- Increase mass transfer rates, improving column efficiency
- Decrease retention times
- Make the system less susceptible to fluctuations in ambient temperature
- Cause dissolved gases to come out of poorly degassed solvents, resulting in bubbles

Internal oven temperatures of 30 to 35 °C are satisfactory for most room-temperature applications. For best performance, the external column heater and the 2410 refractometer oven should be set to the same temperature.

5.2.5 Polarity Guidelines

The polarity key (+/-) inverts the direction of peaks. Samples detected with the 2410 refractometer can yield positive or negative peaks, depending on whether their RIs are greater than or less than the RI of the mobile phase. Polarity affects data sent over the analog output channels and the IEEE-488 interface. Polarity does not affect the % Full Scale display.

The default polarity setting is positive, that is, the polarity is unchanged.

See also [Section 3.3.6, Polarity Connections](#).

5.3 Starting Up the 2410 Refractometer

To start up the 2410 refractometer:

1. Press the **On/Off** switch located on the lower front right corner of the unit. While the 2410 refractometer performs internal tests, the four-character LED display flashes all 8's, goes blank for eight seconds, then displays a flashing “–” in the rightmost slot of the four-character display.
2. If the startup diagnostics fail, one of the following is displayed in the four-character LED display:
 - All blank, indicating that the 2410 refractometer has halted operation during diagnostic testing. Restart the instrument. If the instrument continues to fail, contact Waters Technical Service.
 - An “E” in the leftmost slot, indicating an error condition. Contact Waters Technical Service
3. If the startup diagnostics are successful, the 2410 refractometer checks the integrity of the parameter values stored in battery-backed RAM. If the values are valid, the 2410 refractometer flashes the internal oven setpoint stored in the RAM in the four-character LED display. The 2410 refractometer startup code calibrates its internal sensors while illuminating each LED indicator once in succession. When this calibration is finished, the 2410 refractometer begins to regulate the internal oven and external column heater temperatures to their setpoints, and flashes the current internal oven temperature in the four-character LED display.
4. At this point, the startup sequence has run successfully, and the 2410 refractometer is ready for operation.

Note: Pressing **Clear** does not stop the four-character LED display from flashing while the calibration sequence is in progress.

5. If the battery-backed RAM fails the integrity check (because of a low battery), the software resets the stored parameters to their default values. While the 2410 refractometer calibrates its internal sensors, the “–” continues to flash in the four-character LED display and each LED indicator is illuminated once in succession. When the calibration completes, the % Full Scale parameter is activated and displayed, non-flashing, on the four-character LED display, and the 2410 refractometer is ready for operation.
6. Once the 2410 refractometer startup diagnostics and tests are complete, power on any peripheral equipment.
7. Allow the 2410 refractometer to warm up for 24 hours before operating it.

Remote Mode

The 2410 refractometer operates in remote mode when it is under active control by a system controller through the IEEE-488 interface. You can configure remote control of the 2410 refractometer with Waters systems such as the:

- Millennium Chromatography Manager (see [Section 3.2.1, Connecting to a Waters Data System Using the IEEE-488 Bus](#))
- 600E Multisolvent Delivery System (see [Section 3.2.2, Connecting to a Waters PowerLine System Controller](#))
- 745/745B/746 Data Module (see [Section 3.3.2, Connecting to the Waters 745/745B/746 Data Module](#))
- 845/860 Data Control System (see [Section 3.3.4, Connecting to the Waters 845/860 ExpertEase System](#))
- 2690 Separations Module (see [Section 3.3.1, Connecting to a Stand-Alone 2690 Separations Module](#)).

Changing Solvents



Caution: To avoid chemical hazards, always observe safe laboratory practices when you are operating your system. Refer to the Material Safety Data Sheets shipped with solvents for handling information.

When you change solvents, be aware that:

- Changes involving two miscible solvents may be made directly. Changes involving two solvents that are not totally miscible (for example, from chloroform to water), require an intermediate solvent (such as isopropanol).
- Temperature affects solvent miscibility. If you are running a high-temperature application, consider the effect of the higher temperature on solvent solubility.
- Buffers dissolved in water may precipitate when mixed with organic solvents.

When you switch from a strong buffer to an organic solvent, flush the buffer out of the system with distilled water before you add the organic solvent.

To change solvents:

1. Make sure the 2410 refractometer Purge Out line goes to waste.
2. To prevent backpressure in the column, replace the column with a union.
3. Set the pump or solvent delivery system flow rate to **5 mL/min**.
4. Press **2nd Func**, then **Purge**.
5. Let the 2410 refractometer purge for a minimum of 5 minutes.

6. Press **2nd Func**, then **Purge** to stop purging.
7. Follow steps 1 through 5 to purge the 2410 refractometer with 10 percent methanol-water before storing it.

5.4 Shutting Down the 2410 Refractometer

Note: Do not power off the 2410 refractometer unless you are storing it.

If you are not storing the 2410 refractometer, set the flow rate to **0.1** mL/min and keep the pump or solvent delivery system operating. This minimizes the amount of time the 2410 refractometer needs for reequilibration when you use it again.

Do not leave buffers in the system after use. Flush the lines with a suitable solvent (HPLC-grade methanol is recommended), then flush with HPLC-grade water.



Attention: If your storage solvent is incompatible with your column, remove the column before flushing.

Power off peripheral devices before shutting down the 2410 refractometer. To power off the 2410 refractometer, press the **ON/OFF** switch located at the lower right front corner of the unit.

6

Maintenance Procedures

6

The maintenance of the 2410 refractometer described in this chapter involves cleaning the fluidic path and replacing fuses. When you perform maintenance procedures on your 2410 differential refractometer, keep the following safety considerations in mind:



Caution: To prevent the possibility of electrical shock, never disconnect an electrical assembly while power is applied to the Waters 2410 Differential Refractometer.



Caution: To avoid the possibility of electrical shock, do not open the 2410 differential refractometer cover. The 2410 differential refractometer does not contain user-serviceable components.



Caution: When you handle solvents, change tubing, or operate the 2410 differential refractometer in general, always observe good laboratory practices. Know the physical and chemical properties of the solvents. Refer to the Material Safety Data Sheets for the solvents in use.



Attention: To avoid damage due to static electricity, do not touch integrated circuit chips or other components that do not specifically require manual adjustment.

Stock the recommended spare parts to minimize downtime. Refer to Appendix B for a list of recommended spare parts. Parts not included in Appendix B may require replacement by a Waters technical service representative.

Contacting Waters Technical Service

If you encounter a problem with the 2410 differential refractometer that you cannot troubleshoot, contact Waters Technical Service at 1-800-252-4752, *U.S. and Canadian customers only*. Other customers, call your local Waters subsidiary or your local Waters Technical Service Representative, or call Waters corporate headquarters for assistance at 1-508-478-2000 (U.S.).

6.1 Cleaning the Fluidic Path

A dirty fluidic path can cause baseline noise, inaccurate sample refraction, and other problems with operation.

Before You Begin

If you suspect that the tubing has been contaminated, follow this procedure. Read through it carefully first, and pay strict attention to the warning.

Required Materials

- A wrench suitable for removing and replacing the column
- A solvent miscible in both the mobile phase and water (methanol is commonly used)
- HPLC-grade water
- A strong cleaning solvent suitable for your system (6 N Nitric acid is commonly used)
- A separate waste container for acid waste
- A means of measuring the pH of acid effluent, if you use an acid as your cleaning solvent



Caution: *Strictly adhere to this procedure. Prepare a separate waste container for the cleaning solution. Be careful to keep organic waste from mixing with acid waste.*

Procedure

To clean the fluidic path:

1. Stop the pump or solvent delivery system and replace the column with a union.
2. Replace the mobile phase with an intermediary solvent miscible in both the current solvent and water.
3. Set the 2410 refractometer to Purge mode (see [Chapter 5, Using the 2410 Refractometer](#)).
4. Restart the pump or solvent delivery system. Set the flow rate to **5 mL/min** to flush the mobile phase from the 2410 differential refractometer. Purge for at least 5 minutes.
5. Switch the pump or solvent delivery system to HPLC-grade water. Flush the 2410 differential refractometer with water for 6 to 10 minutes to remove contaminants from the flow path.

6. Switch the pump or solvent delivery system to the cleaning solvent. Flush for 6 to 10 minutes. Use a clean waste container when pumping cleaning solvent. Do not mix acidic and organic waste.
7. Switch the pump or solvent delivery system back to HPLC-grade water. Flush until the pH of the waste effluent is neutral (a pH value of 6.0 to 7.0).

Note: *If you use 6 N nitric acid, do so with care. If you operate the 2410 refractometer at high sensitivities, you may need to flush the system extensively with water to remove all traces of the nitric acid.*

8. Switch the pump or solvent delivery system back to the water-miscible intermediate solvent. Flush for 10 minutes.
9. Switch the pump or solvent delivery system back to the mobile phase. Flush for 5 minutes.
10. Take the 2410 differential refractometer out of Purge mode and stop the pump or solvent delivery system.
11. Reattach the column and reequilibrate the 2410 refractometer.

6.2 Replacing Fuses

This section describes replacing fuses in the 2410 differential refractometer.

Required Materials

Flat-blade screwdriver

Identifying a Faulty Fuse

A faulty fuse usually has a smoked glass area or broken filament. If no break is visible, you can remove the fuse and test it with an ohmmeter.

Suspect a faulty fuse if:

- The 2410 differential refractometer fails to power on.
- The display is blank.
- The fan does not turn on.

For more information on detecting the cause of a blown fuse, refer to Section 7.3, Hardware Troubleshooting.

6



Caution: To avoid electrical shock, power off and unplug the 2410 refractometer before checking the fuse. For continued protection against fire hazard, replace the fuse only with another fuse of the same type and rating.

Procedure

To replace a fuse:

1. Power off the 2410 refractometer and disconnect the power cable from the rear panel.
2. Insert your fingers into the fuse holder slots on the rear panel of the detector, then pull with minimum force to remove the holder from the rear panel (see [Figure 6-1](#)).
3. Remove and discard the old fuse.
4. Make sure that the new fuse is properly rated for your requirements (see [Table 6-1](#)).
5. Insert the new fuse into the fuse holder.
6. Insert the fuse holder into the rear panel receptacle and gently push until it locks into position.

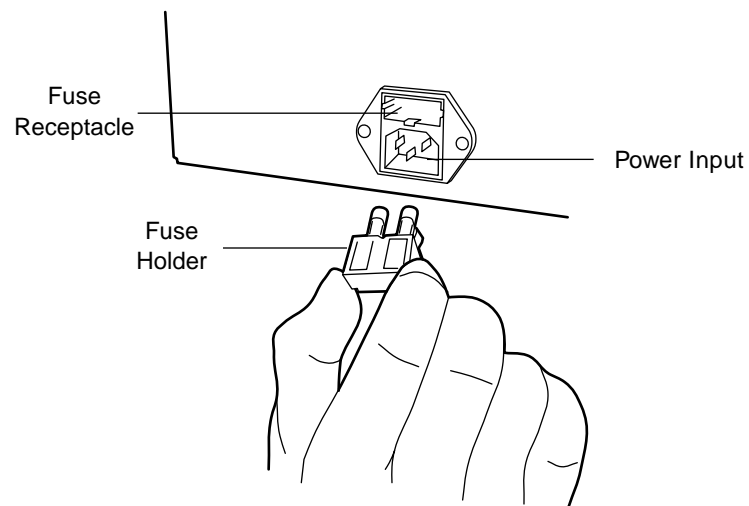


Figure 6-1 Removing and Replacing Fuses

[Table 6-1](#) identifies the 2410 refractometer fuse requirements.

Table 6-1 Voltage and Fuse Requirements

Nominal Voltage	Frequency	Required Fuse
100 Vac to 240 Vac	50/60 Hz	F 2.0 A

7

Troubleshooting

Use this section to help you troubleshoot problems with your Waters 2410 Differential Refractometer. Keep in mind that the source of an apparent detector problem may be the chromatography itself or the other instruments in your system.

If you determine that a problem is a general chromatography problem, refer to [Section 7.2, Chromatography Troubleshooting](#).

If you determine that a problem is with the 2410 refractometer, refer to [Section 7.3, Diagnostics](#).

7

7.1 Troubleshooting Overview

When you troubleshoot your 2410 differential refractometer, keep in mind the following safety considerations:



Caution: To prevent the possibility of electrical shock, never disconnect an electrical assembly while power is applied to the instrument.



Caution: When you handle solvents, change tubing, or operate the 2410 differential refractometer in general, always observe good laboratory practices. Know the physical and chemical properties of the solvents. Refer to the Material Safety Data Sheets for the solvents in use.



Attention: To avoid damage due to static electricity, do not touch integrated circuit chips or other components that do not specifically require manual adjustment.

Most detector problems are relatively easy to correct. If you are unable to correct a problem or a failed condition, contact Waters Technical Service at 1-800-252-4752, U.S. and Canadian customers only. Other customers, call your local Waters subsidiary or your local Waters Technical Service Representative, or call Waters corporate headquarters for assistance at 1-508-478-2000 (U.S.).

When You Contact Waters

To expedite your request for service, have the following information available when you call Waters Technical Service:

- 2410 differential refractometer serial number
- Problem symptom(s)
- Operating wavelength(s)
- RIUFS or measurement range
- Flow rate
- Filter setting
- Type of column
- Operating pressure
- Solvent(s)
- System configuration (other components)
- Type and model number(s) of other Waters system components (such as 2690 Separations Module, 600 Multi-Solvent Delivery System, 2700 Autosampler)
- Type and revision number of the data system (for example, Millennium Chromatography Manager, 845/860 Workstation, 746 Data Module)

Diagnostics

Refer to [Section 7.3.2, Operating the User-Initiated Diagnostics](#), for information on using the 2410 refractometer diagnostics to troubleshoot. Refer to [Section 5.3, Starting Up the 2410 Refractometer](#), for information on start-up diagnostics.

Power Surges

Power surges, line spikes, and transient energy sources can adversely affect operation. Be sure that the electrical supply used for the 2410 differential refractometer is properly grounded and free from any of these conditions.

7.2 Chromatography Troubleshooting

This section contains chromatography troubleshooting tables that describe symptoms, possible causes, and suggested corrective actions. These tables can help you isolate the possible causes of problems related to:

- Abnormal baseline (drift, noise, or cycling) – See [Table 7-1](#).
- Erratic or incorrect retention times – See [Table 7-2](#).
- Poor peak resolution – See [Table 7-3](#).
- Incorrect qualitative/quantitative results – See [Table 7-4](#).



Caution: To avoid chemical hazards, always observe good laboratory practices when handling solvents and performing maintenance. Refer to the Material Safety Data Sheets for the solvents in use.

If your system is exhibiting symptoms *not* addressed in one of the following tables, refer to [Table 7-6](#) in [Section 7.4, Hardware Troubleshooting](#). If you need further help, contact Waters Technical Service.

7.2.1 Abnormal Baseline

Drift, noise, and cycling are common symptoms of an abnormal baseline.

Drift

The most common difficulty with the 2410 differential refractometer is baseline drift. Drift may be flow-related or result from changing ambient conditions, especially temperature. Determine if drift is flow related by shutting down the solvent delivery system or pump.

Noise

If baseline noise is high, determine if it is a short- or long-term variation. You can eliminate many possible causes of baseline noise by identifying the rate at which the baseline is changing.

Cycling

If the baseline is cycling, determine the period of the cycling and if it is related to the flow rate or fluctuations in ambient temperature.

To troubleshoot problems with your baseline, refer to [Table 7-1](#).

Table 7-1 Abnormal Baseline Troubleshooting

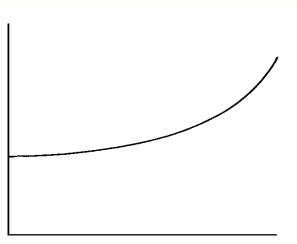
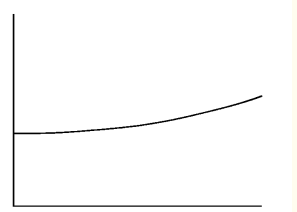
Symptom	Possible Cause	Corrective Action
Baseline drift, rapid 	Column not equilibrated	Equilibrate column.
	Detector not allowed to warm up	Allow detector to warm up until baseline is stable. Warm-up time varies based on sensitivity.
	Solvent contaminated or not HPLC grade	Use fresh solvent.
	Solvent not properly degassed (rapid or slow drift)	Degas the solvent. Cap the solvent reservoir.
	Tubing contaminated	Clean the tubing using the procedure in Section 6.1, Cleaning the Fluidic Path .
	Flow fluctuations (rapid or slow drift)	Fix pump problems, replace pump seals, check valves.
Baseline drift, slow 	Solvent contaminated	Use fresh, degassed solvent.
	Ambient temperature fluctuations	Stabilize operating environment temperature enough to allow full equilibration. Keep the system away from air conditioning vents, chance breezes, and direct sunlight.
	Dirty flow cell	Clean flow cell (Section 6.1, Cleaning the Fluidic Path).
Baseline drift, descending	Leaky flow cell	Call Waters Technical Service.

Table 7-1 Abnormal Baseline Troubleshooting (Continued)

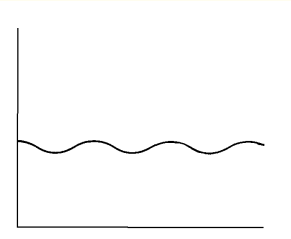
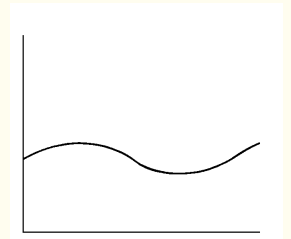

Symptom	Possible Cause	Corrective Action
Short-term noise cycling (30 sec to 60 sec) 	Pump pulsing	Add pulse dampener.
	Inadequate solvent blending in pump	Connect high-flow pulse dampener. Use gradient mixer.
	Flow fluctuating	Stabilize flow (see pump operator's manual).
	Solvent not mixed (short- or long-term cycling)	Stir the solvent.
	Faulty check valve	Clean/replace/rebuild pump check valves.
	AC power source (short- or long-term cycling)	Disconnect other instruments on the power line, try a different wall outlet, have line voltage checked, use power conditioner.
	Radio frequency noise (short- or long-term cycling)	Eliminate interference.
Long-term noise cycling (approximately 1 hour) 	Ambient temperature fluctuations	Stabilize ambient temperature.
	Integrator or recorder faulty	Check integrator or recorder for excessive baseline noise.
	Faulty check valve	Clean/replace/rebuild pump check valves.

Table 7-1 Abnormal Baseline Troubleshooting (Continued)

Symptom	Possible Cause	Corrective Action
Baseline noise, random 	Air in flow cell	Purge fluid path to remove air.
	Solvents not properly degassed or sparged	Degas/sparge solvents (see Section 4.3, Solvent Degassing).
	Flow erratic, pump not primed	Prime the pump.
		Check for air in the pump, failing seals.
	Solvents contaminated	Use fresh solvent.
	Column contaminated	Clean/replace column.
	Dirty flow cell	Clean fluidic path (see Section 6.1, Cleaning the Fluidic Path).
	Analog output cable not properly connected between 2410 and data system or recorder	Properly connect cable.
	System improperly grounded	Plug into different outlet on different electrical circuit.
		Use power conditioner.
Recorder voltage incorrect	Set recorder to correct voltage.	
Radio frequency noise	Eliminate interference.	

7

7.2.2 Erratic or Incorrect Retention Times

When you troubleshoot retention time problems, check if retention times:

- Change from run to run or are constant from run to run, but are outside the allowable range for the assay
- Are due to pressure fluctuations that are short-term (with each pump cycle) or long-term (over the course of several minutes)
- Are associated with an absolute pressure change, that is, if the pressure is constant but higher or lower than the normal operating pressure
- Change suddenly at the end of a series of runs, which may indicate that air is dissolving in the mobile phase, that the mobile phase is degrading, or that the column is contaminated.
- Change early in a series of runs and tend to become constant or within range after 3 to 4 minutes, which may indicate that the column was not equilibrated, or that the solvent is not properly degassed and sparged.

To troubleshoot problems with retention times, refer to [Table 7-2](#).

Table 7-2 Retention Time Troubleshooting

Symptom	Possible Cause	Corrective Action
Erratic retention times	Air bubble in pump head	Degas all solvents, prime pump (see Section 4.3.2, Solvent Degassing Methods).
	Malfunctioning pump check valves	Clean/replace/rebuild pump check valves.
	Leaking pump seals	Replace pump seals.
	Separation chemistry	Check mobile phase and column.
	Clogged solvent filters	Replace filters.

Table 7-2 Retention Time Troubleshooting (*Continued*)

Symptom	Possible Cause	Corrective Action
Increased retention times	Incorrect flow rate	Verify flow rate.
	Incorrect solvent composition	Change solvent composition.
	Column heater module not on	Power on column heater module.
	Column not equilibrated	Equilibrate column.
	Incorrect column or guard column	Use correct column or guard column.
Doubled retention times	Air bubble in pump head	Prime pump to remove bubble.
	Malfunctioning pump check valve(s)	Clean/replace/rebuild pump check valve(s).
	Broken pump plunger	Replace the plunger.
Reduced retention times	Incorrect flow rate	Verify flow rate.
	Incorrect solvent composition	Change composition.
	High column temperature	Reduce column temperature.
	Incorrect column pretreatment	See column manual.
	Column contaminated	Clean/replace column.
	Incorrect column or guard column	Use correct column or guard column.
Reproducibility errors	Solvent not properly degassed/sparged	Degas/sparge solvent (see Section 4.3.2, Solvent Degassing Methods).
	Incorrect chemistry/integration	Check chemistry/integration.
	Column not equilibrated	Equilibrate column
	Injector problem	Troubleshoot injector.

7.2.3 Poor Peak Resolution

Before you address problems with peak resolution, be certain that peaks elute at the correct retention time. The most common causes of poor peak resolution can also appear as retention time problems.

If peak retention times are correct, determine if poor resolution occurs:

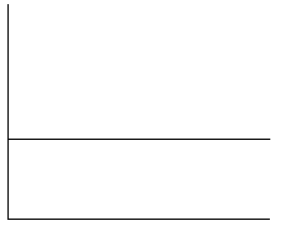
- Throughout the chromatogram
- At a single peak pair

If efficiency of early peaks is poor, extra-column band broadening, such as autoinjector or guard column failure, may be at fault. If peak efficiency is poor throughout the chromatogram, post-column band-broadening or loss of column efficiency may be the cause.

If only one peak in a chromatogram is badly-shaped, the peak component may be interacting with the column through a chemical mechanism different from the components in the other peaks. To troubleshoot this resolution problem, you need an understanding of the separation chemistry.

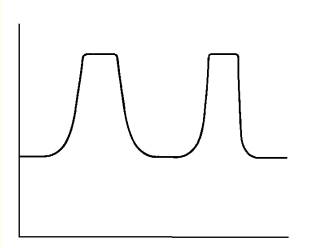
Use [Table 7-3](#) to troubleshoot peak resolution problems that may be affecting your results.

Table 7-3 Resolution Troubleshooting

Symptom	Possible Cause	Corrective Action
Straight baseline, no peaks 	No pump flow	Set pump flow rate.
	LED not on	Use diagnostics to check LED current. Zero current indicates LED not on.
		Call Waters Technical Service.
	Detector not zeroed	Auto zero detector baseline.
	Improper connection between 2410 unit and recorder	Check cabling between unit and recorder.
	Solvent and sample have similar refractive indices	Select another solvent.
	Sensitivity too low	Select higher sensitivity.
	No sample injected	Check injector.
	Leak in solvent path	Check fittings and drip tray.
	Bad flow cell	Use the 2410 detector diagnostics to check the B signal and the A + B signal. A low value may indicate a blocked flow cell. Clean/replace column. Clean/replace flow cell.

7

Table 7-3 Resolution Troubleshooting (Continued)

Symptom	Possible Cause	Corrective Action
Flat-topped peaks 	Detector not zeroed	Auto zero detector baseline.
	Incorrect recorder input voltage	Adjust recorder input voltage, or adjust detector output cable to correct position.
	Sensitivity too high	Select a lower sensitivity.
	Scale factor too high (recorder only)	Select a lower scale factor.
	Sample concentration or injection volume exceeds voltage output of detector	Decrease sample concentration or injection volume.

7

7.2.4 Incorrect Qualitative/Quantitative Results

If a peak is incorrectly identified by a data system or integrator, make sure that the retention time is correct.

If retention times are correct and peak resolution is good, the cause of qualitative and quantitative errors is not likely to be chromatographic; it is more likely due to inadequate sample preparation or faulty processing of the data (integration).

To troubleshoot problems with qualification and/or quantitation, refer to [Table 7-4](#).

Table 7-4 Incorrect Results Troubleshooting

Symptom	Possible Cause	Corrective Action
Decreased peak height	Leak in injector	Troubleshoot injector.
	Degraded, contaminated, or improperly prepared sample	Use fresh sample.
	Column contaminated	Clean/replace column.
	Loss of column efficiency	Clean/replace column.
	Change in mobile phase composition	Correct mobile phase pH or ionic composition.
	Incorrect flow rate	Change flow rate.
	Dirty flow cell	Clean the fluidic path (see Section 6.1, Cleaning the Fluidic Path).
Increased noise	Electronic noise	Use the shortest lengths of cabling possible. Make sure cables are shielded.
	Dirty flow cell	Clean the fluid path (see Section 6.1, Cleaning the Fluid Path).
	Air bubble in flow path	Replace column with union and purge flow path at 10 mL/min.
	Mobile phase not degassed	Degas/sparge mobile phase.
	Contaminated mobile phase	Use fresh mobile phase.

7.3 Diagnostics

This section describes the startup and user-initiated diagnostics for troubleshooting the 2410 refractometer. Use the diagnostics to determine, set, or test:

- Software version
- LED current strength
- Energy transmitted from the photodiode
- Voltage transmitted from the sample side of the photodiode
- IEEE address
- Auto zero offset
- Factory defaults
- Noise and drift
- Keypad and LED display and indicators

This information may be helpful if you need to call Waters Technical Service for assistance.

7.3.1 Operating the Startup Diagnostics

For a complete explanation of the 2410 refractometer startup diagnostic routines, see [Section 5.3, Starting Up the 2410 Refractometer](#).

7.3.2 Operating the User-Initiated Diagnostics

The 2410 differential refractometer provides several user-initiated diagnostics to:

- test the operation of the instrument
- aid in setting operating parameters

[Table 7-5](#) provides a list of diagnostics, the key sequence the user enters to run the diagnostic, and a description of the operation, range of values, and defaults for each diagnostic.

To run the diagnostic functions,

1. Press **2nd Func**, **Clear**, **Clear**, then press **Enter**. The value **diag** is displayed. Then enter the appropriate key sequence indicated in [Table 7-5](#).

Table 7-5 User Diagnostics

Diagnostic Number	Diagnostic Name	Key Sequence	Description
0	Software version	2nd Func, 0, Enter	Displays the version of software running on your 2410 differential refractometer
1	LED display and indicator test	2nd Func, 1, Enter	Tests the operation of the 2410 differential refractometer LED display and LED indicators
2	Keypad test	2nd Func, 2, Enter	Tests the operation of the 2410 differential refractometer keypad
3	LED current strength	2nd Func, 3, Enter	Displays a value between 25 and 150 that indicates the operational current of the LED (see <i>Note</i> below table).
4	A + B signal	2nd Func, 4, Enter	Displays a value between 2.4 and 2.6 V.
5	B signal	2nd Func, 5, Enter	Displays a value between 1.2 and 1.3 V
6	Set IEEE address	2nd Func, 6, Enter	Displays current IEEE-488 address. Range: 2 to 29. Default: 10.
7	Integrator offset voltage	2nd Func, 7, Enter	Displays the voltage offset. Range: 0 to 50 mV. Default: 20 mV.
8	Auto zero delay	2nd Func, 8, Enter	Sets delayed response for auto zero after an injection (see <i>Note</i> below). Range: 0 to 30 sec. Default: 20 sec

Table 7-5 User Diagnostics (Continued)

Diagnostic Number	Diagnostic Name	Key Sequence	Description
9	Noise test	2nd Func, 9, Enter	Displays prior Noise test values. Press Clear, Enter to initiate a new noise test. Displays time in seconds until test is complete, then displays results (RIU) in scientific notation. The Noise test takes 15 min.
10	Drift test	2nd Func, 1, 0, Enter	Displays prior Drift test values. Press Clear, Enter to initiate a new drift test. Displays time in seconds until test is complete, then displays results (RIU/hr) in scientific notation. The Drift test takes 60 min.
11	Reset defaults	2nd Func, 1, 1, Enter	Resets system stored parameters as the default parameters

7

- To exit from the diagnostic mode, press **2nd Func, Clear**, then **Enter**. Each parameter indicator lights up for an instant, starting next to the Enter button and ending above the 1 key.
- After you exit from the diagnostic mode, the operating parameters in effect when you entered the diagnostic mode are retained, except if you reset them using Diagnostic 11.



Attention: Diagnostics 3, 4, and 5 do not maintain the temperature of the internal oven. Oven temperature falls while these diagnostics are running. When these diagnostics terminate, the oven temperature set point in effect before the diagnostic was run resumes. We strongly recommend that you do not run Diagnostics 9 (Noise test) or 10 (Drift test) immediately after running Diagnostics 3, 4, and 5 because both the Noise and Drift tests require stable oven temperatures to operate correctly.

Note: The auto zero delay feature prevents an auto zero signal initiated from either the IEEE-488 connection or from the 2410 refractometer analog-in connectors from activating the auto zero function during the initial injection baseline stabilization period. An auto zero initiated from the front panel of the 2410 detector is effective immediately.

7.4 Hardware Troubleshooting

This section describes symptoms, causes, and corrective actions related to the 2410 refractometer hardware. Use [Table 7-6](#) when you know the problem you have encountered lies within the instrument.

Table 7-6 Waters 2410 Hardware Troubleshooting

Symptom	Possible Cause	Corrective Action
Detector inoperative	No power at outlet	Check outlet by connecting another electrical unit known to be in working order and see if it operates.
	Fuse blown	Check that the fan and display are operational; if neither, replace fuse (see Section 6.2).
Four-character display LEDs fail to illuminate	Weak electrical connections	Check connections.
	Fuse blown	Check/replace faulty fuse.
	Faulty CPU board	Call Waters Technical Service.
Parameter LED indicators do not light	Fuse blown	Check and replace faulty fuse.
	Faulty Display board	Call Waters Technical Service.
Four-character display shows odd characters or FAIL	Faulty CPU board	Call Waters Technical Service.
	Faulty Power Supply	Call Waters Technical Service.

7

Table 7-6 Waters 2410 Hardware Troubleshooting (Continued)

Symptom	Possible Cause	Corrective Action
IEEE-488 communications problems	Incorrect IEEE-488 address	Set correct address (refer to Section 3.2, Making IEEE-488 Signal Connections , the "Setting the IEEE-488 Address" discussion).
	IEEE-488 cable not connected	Connect IEEE-488 cable (refer to Section 3.2, Making IEEE-488 Signal Connections , the "Setting the IEEE-488 Address" discussion).
	Defective IEEE-488 cable (external)	Replace IEEE-488 cable.
Keypad not functioning	Keypad defective	Call Waters Technical Service.
LED does not light	Faulty fuse	Call Waters Technical Service.
	LED burned out	
Unit overheating (2410 beeping)	Faulty fan	Call Waters Technical Service.
	Ambient temperature is 5 °C above set oven temperature	Remove external heat sources in the vicinity of the 2410 refractometer. Check column heater settings.
Internal oven overheating	Relay stuck	Call Waters Technical Service.
	Faulty analog board	
No B or A + B signal in diagnostics 4 and 5	Air bubble in flow cell	Purge the 2410 refractometer.
	LED burned out	Call Waters Technical Service.
	Bad cable connection	
Four-character LED display is greater than 150 for diagnostic 3.	Air bubble in flow cell	Purge the 2410 refractometer.

Appendix A

Specifications

A

Table A-1 Operational Specifications

Conditions	Specifications
RI Range	1.00 to 1.75 RIU
Measurement Range	5×10^{-3} RIU maximum FS (SENS = 1, SF = 1) 5×10^{-8} RIU minimum FS (SENS = 1024, SF = 100)
Flow Rate	0.03 to 10 mL/min
Noise ¹	$\leq 2.0 \times 10^{-8}$ RIU, (TC = 1, SF = 80, SENS = 64, THF at 24 °C with restrictor coil)
Drift [*]	2.5×10^{-7} RIU/hr (static with THF) TC = 1, SF = 20, SENS = 32
Sensitivity Settings	1, 2, 4, 8, 16, 32, 64, 128, 256, 512, 1024
Time Constant Filter Settings	0.2, 1, 3, 10 seconds
Analog Outputs	-2.0 V to +2.0 V
Temperature Control	Internal oven: 30 to 50 °C (86 to 122 °F) External column heaters: <ul style="list-style-type: none">• Ambient to 150 °C (302 °F), steel• Ambient to 80 °C (176 °F), plastic

¹ After a minimum one hour warmup time

A

Table A-2 Integrator Output

Sensitivity Setting	Output (V)
1	1
2	2
4	2
8	2
16 to 1024	2

Table A-3 Optical Component Specifications

Conditions	Specifications
Light Source	Light emitting diode (LED)
Flow Cell	Fused quartz
Cell Volume	10 μ L
Pressure Limit	100 psi
Fluidic Path Materials	316 stainless steel, Dynasil [®] , Suprasil II [®] , PTFE, Kalrez [®] , quartz

Table A-4 Environmental Specifications

Conditions	Specifications
Operating Temperature	15 °C to 32.2 °C (59 °F to 90 °F)
Operating Humidity	20 to 80%, noncondensing
Shipping and Storage Temperature	-40 °C to 70 °C (-104 °F to 158 °F)
Shipping and Storage Humidity	0% to 90%, noncondensing

Table A-5 Dimensions

Conditions	Specifications
Height	8.2 in. (20.8 cm)
Length	19.8 in. (50.3 cm)
Width	11.2 in. (28.4 cm)
Weight	21.7 lbs. (9.7 kg)



Table A-6 Electrical Specifications

Conditions	Specifications
Line Frequency	50 Hz, 47 to 53 Hz 60 Hz, 57 to 63 Hz
Fuse Rating	F 2 A, 250 Vac
Power Consumption	140 VA (Nominal)

Table A-7 Power Source Specification

Nominal Voltage
100 to 240 V, 50/60 Hz

Appendix B

Spare Parts/Accessories

Refer to Table B-1 for spare parts information.

Table B-1 Recommended Spare Parts

Description	Part Number
General Parts	
Pressure relief valve	WAT070377
Solenoid valve	WAT070376
Ferrule, 1/16-inch, PTFE	WAT070215
Nuts and ferrules (kit of 5 each)	WAT025604
Stainless steel tubing, 0.009-inch ID × 10 feet	WAT026973
Stainless steel tubing, 0.040-inch ID × 10 feet	WAT026805
Recorder cable, 4 ft (1)	WAT048918
Waters Startup Tool Kit	WAT096146
Tubing cutter for 1/16 inch stainless steel tubing	WAT022384
Tubing cutter, spare blades, 3/pkg	WAT022385
Startup kit, 2410	200000104
Fuse	
Fuse, FAST, 2 Amp, 250V	WAT163-14

B

B

Table B-1 Recommended Spare Parts (Continued)

Description	Part Number
IEEE-488 Cables	
3.3 feet (1 m)	WAT087198
6 feet (2 m)	WAT087141
13 feet (3 m)	WAT087191
26 feet (6 m)	WAT087192
Solvent Preparation Accessories	
Solvent Clarification Kit 1 pump, 110 V, 60 Hz 1 L flask 300 mL funnel Clamp Tubulated base 100 Durapore™ filters	WAT085113
0.45-µm membrane filters Filter, PTFE 47 mm 0.45 (100/pkg) Triton™ free aqueous filters	WAT200534 WAT085147

Appendix C

Warranty Information

This appendix includes information on:

- Limited express warranty
- Shipments, damages, claims, and returns

C.1 Limited Express Warranty

Waters® Corporation provides this limited express warranty (the Warranty) to protect customers from nonconformity in the product workmanship and materials. The Warranty covers all new products manufactured by Waters.

Waters warrants that all products that it sells are of good quality and workmanship. The products are fit for their intended purpose(s) when used strictly in accordance with Waters' instructions for use during the applicable warranty period.

Limited Warranty

Waters Corporation warrants that the Waters 2410 Differential Refractometer is for general purpose use and is not for use in clinical diagnostic procedures, and that during the Warranty period, the performance of all components of the Waters 2410 Differential Refractometer [other than Third-Party Components (non-Waters named)], will not deviate materially from the Specifications for such detectors. Warranties, if any, that may be applicable to Third-Party Components shall be provided by the respective manufacturers or suppliers of such Third-Party Components, and Waters Corporation shall use reasonable efforts to assist Customer in securing the benefits of any such warranties.

C

Exclusions

The foregoing warranty does not apply to any material deviation from the Specifications by any component of the Waters 2410 Differential Refractometer that results from (a) use of the Waters 2410 Differential Refractometer for any purpose other than general purpose use and specifically excluding use of the Waters 2410 Differential Refractometer in clinical diagnostic procedures, or use of the Waters 2410 Differential Refractometer for investigational use with or without confirmation of diagnosis by another, medically established diagnostic product or procedure, (b) errors or defects in any Third-Party Component, (c) modification of the Waters 2410 Differential Refractometer by anyone other than Waters Corporation, (d) failure by Customer to install any Standard Enhancement in accordance with an update procedure, release of firmware or any operating system release, (e) any willful or negligent action or omission of Customer, (f) any misuse or incorrect use of the Waters 2410 Differential Refractometer, (g) any malfunction of any information system or instrument with which the Waters 2410 Differential Refractometer may be connected, or (h) failure to establish or maintain the operating environment for the Waters 2410 Differential Refractometer in accordance with the operator's manual.

Exclusive Remedy

In the event of any failure of the Waters 2410 Differential Refractometer to perform, in any material respect, in accordance with the warranty set forth herein, the only liability of Waters Corporation to Customer, and Customer's sole and exclusive remedy, shall be the use, by Waters Corporation, of commercially reasonable efforts to correct for such deviations, in Waters Corporation's sole discretion, replacement of the purchased Waters 2410 Differential Refractometer, or refund of all amounts theretofore paid by Customer to Waters Corporation for the Waters 2410 Differential Refractometer.

Disclaimers

THE LIMITED WARRANTY SET FORTH HEREIN IS EXCLUSIVE AND IN LIEU OF, AND CUSTOMER HEREBY WAIVES, ALL OTHER REPRESENTATIONS, WARRANTIES AND GUARANTEES, EXPRESS OR IMPLIED, INCLUDING WITHOUT LIMITATION ANY IMPLIED WARRANTIES OF MERCHANTABILITY, FITNESS OF THE WATERS 2410 DIFFERENTIAL REFRACTOMETER FOR A PARTICULAR PURPOSE, INCLUDING FITNESS FOR USE IN CLINICAL DIAGNOSTIC PROCEDURES OR FOR INVESTIGATIONAL USE WITH OR WITHOUT CONFIRMATION OF DIAGNOSIS BY ANOTHER MEDICALLY ESTABLISHED DIAGNOSTIC PRODUCT OR PROCEDURE, OR NONINFRINGEMENT, AND ANY WARRANTIES ARISING OUT OF COURSE OF DEALING OR COURSE OF PERFORMANCE. CUSTOMER EXPRESSLY ACKNOWLEDGES THAT BECAUSE OF THE COMPLEX NATURE OF THE WATERS 2410 DIFFERENTIAL REFRACTOMETER AND ITS MANUFACTURE, WATERS

CORPORATION CANNOT AND DOES NOT WARRANT THAT THE OPERATION OF THE WATERS 2410 DIFFERENTIAL REFRACTOMETER WILL BE WITHOUT DEFECT. CUSTOMER EXPRESSLY ACKNOWLEDGES THAT CUSTOMER IS SOLELY RESPONSIBLE FOR USE OF THE WATERS 2410 DIFFERENTIAL REFRACTOMETER IN CLINICAL DIAGNOSTIC PROCEDURES OR FOR INVESTIGATIONAL USE WITH OR WITHOUT CONFIRMATION OF DIAGNOSIS BY ANOTHER MEDICALLY ESTABLISHED DIAGNOSTIC PRODUCT OR PROCEDURE.

Warranty Service

Warranty service is performed at no charge and at Waters' option in one of three ways:

- A service representative is dispatched to the customer facility.
- The product is repaired at a Waters repair facility.
- Replacement parts with appropriate installation instructions are sent to the customer.

Nonconforming products or parts are repaired, replaced with new or like-new parts, or refunded in the amount of the purchase price, when the product is returned. Warranty service is performed only if the customer notifies Waters during the applicable warranty period.

Unless otherwise agreed at the time of sale, warranty service is not provided by dispatching a service representative when the equipment has been removed from the initial installation location to a new location outside the home country of the selling company.

Warranty service is provided during business hours (8 AM to 5 PM, EST, Monday through Friday). Service is not available when Waters offices are closed in observance of legal holidays.

Warranty Service Exceptions

Warranty service is not performed on:

- Any product or part that has been repaired by others, improperly installed, altered, or damaged in any way.
- Products or parts identified prior to sale as not manufactured by Waters. In such cases, the warranty of the original manufacturer applies.
- Products that malfunction because the customer has failed to perform maintenance, calibration checks, or observe good operating procedures.
- Products that malfunction due to the use of unapproved parts and operating supplies.

Repair or replacement is not made:

- For expendable items such as gaskets, windows, lenses, and fuses, if such items were operable at the time of initial use.
- Because of decomposition due to chemical action.
- For used equipment.
- Because of poor facilities, operating conditions, or utilities.

Warranty Period

This instrument is warranted against defects in workmanship and materials for a period of twelve months (the “Warranty Period”), excluding assemblies, modules, serviceable parts, and components that may have different warranty periods. Refer to [Table C-1](#) below for the warranty periods of such assemblies, modules, serviceable parts, and components.

The Warranty Period commences at the date of product shipment. The Warranty Period may be extended for such time, not to exceed one month, required to deliver and install the product at the customer’s site. In no case does the Warranty Period extend beyond **13 months** from date of shipment. If an item is repaired or replaced during the Warranty Period, the replacement part or repair is warranted for the balance of the original warranty period.

[Table C-1](#) summarizes the warranty periods for the Waters 2410 and its components.

Table C-1 Waters 2410 Warranty Periods

Component	Warranty Period
Waters 2410 Differential Refractometer, excluding the components listed below	1 year
<ul style="list-style-type: none">• Solenoid valve• Pressure relief valve	90 days
Expendables, Consumables, and Operating Supplies	Warranted to function properly when delivered

C.2 Shipments, Damages, Claims, and Returns

Shipments

As all shipments are made Free On Board (FOB) shipping point, we suggest insurance be authorized on all shipments. Instruments and major components are packed and shipped via surface, unless otherwise required. Supplies and/or replacement parts are packed and shipped via United Parcel Service (UPS), UPS Blue, air parcel post, or parcel post unless otherwise requested.

Damages

The Interstate Commerce Commission has held that carriers are as responsible for concealed damage as for visible damage in transit. Unpack shipment promptly after receipt as there may be concealed damage even though no evidence of it is apparent. When concealed damage is discovered, cease further unpacking of the unit involved and request immediate inspection by local agent or carrier and secure written report of his findings to support claim. This request must be made within 15 days of receipt. Otherwise, the claim will not be honored by the carrier. Do not return damaged goods to the factory without first securing an inspection report and contacting Waters for a return merchandise authorization number (RMA).

Claims

After a damage inspection report is secured, Waters cooperates fully in supplying replacements and handling of a claim which may be initiated by either party.

Returns

No returns may be made without prior notification and authorization. If for any reason it is necessary to return material to Waters, please contact Waters Customer Service or your nearest Waters subsidiary or representative for a return merchandise authorization (RMA) number and forwarding address.

C

Index

Numerics

- 2690 Separations Module
 - connections [48](#)
 - generating a chart mark from [49](#)
- 2nd Func key [71](#)
- 745/745B/746 data system [51](#)
- 845/860 ExpertEase data system [54](#)

A

- Alliance system, connections [48](#)
- Analog signals [30](#), [39](#), [46](#), [47](#), [53](#), [93](#)
- Angle
 - of deflection [22](#)
 - of incidence [20](#)
 - of refraction [20](#)
- Auto zero
 - adjusting [73](#)
 - command [75](#)
 - delay [102](#)
 - generating [48](#)
 - key [73](#), [75](#)
 - offset [102](#)
 - signal connections [55](#)
 - using [75](#)

B

- Baseline
 - abnormal [90](#)
 - cycling [90](#)
 - drift [91](#)
 - noise [84](#), [90](#)
 - stable [63](#)
 - troubleshooting [91](#), [91](#), [93](#), [97](#)
- Bus SAT/IN module [54](#)

C

- Chart
 - output [70](#)
 - polarity [73](#), [75](#)
 - recorder output [77](#)
- Chart mark
 - command [75](#)
 - generating from the 2690 Separations Module [49](#)
 - signal [55](#), [73](#)
 - using [75](#)
- Chart recorder output [69](#), [70](#), [76](#), [77](#)
- Chromatography troubleshooting [90](#)
- Claims, warranty [114](#)
- Clear key [71](#)
- Column heater
 - connections [40](#)
 - displaying settings [69](#)
 - powering off [73](#)
 - powering on [73](#)
 - setting temperature [69](#), [72](#), [73](#)
 - temperature guidelines [79](#)
- Column, connecting [36](#)
- Component
 - connections [39](#)
 - electronics [30](#)
- Connections
 - 2690 Separations Module [48](#)
 - 745/745B/746 data module [51](#)
 - 845/860 using the Bus SAT/IN [54](#)
 - Alliance system [48](#)
 - auto zero [55](#)
 - column heater [40](#), [58](#)
 - component [39](#)
 - inject start [44](#)
 - input and output [47](#)
 - integrator signal [54](#)

- manual injector [45](#)
 - to a column [36](#)
 - to a data system [39, 41](#)
 - to a PowerLine controller [45](#)
 - to a second detector [36, 37](#)
 - to drip tray [38](#)
 - to waste [37](#)
 - to Waters data systems [41](#)
 - tubing [84](#)
 - Waters injector [55](#)
- Connections, fluidic. See Fluidic path
- Connections, power. See Power connections
- Connections, signal. See Signal connections
- CPU board [30](#)
- ## D
- Damage
- reporting [35](#)
 - warranty [114](#)
- Data system, connections [39, 41](#)
- Deflection angle [22](#)
- Degassing
- considerations [65](#)
 - solvent [63](#)
- Density, effect on RI [18](#)
- Detector
- access to [32](#)
 - auto zero command [75](#)
 - chart mark command [75](#)
 - damage [35](#)
 - diagnostics [89](#)
 - dimensions [32, 107](#)
 - electronics [30](#)
 - features [16](#)
 - front panel [67](#)
 - fuse replacement [85](#)
 - installing [31](#)
 - keypad functions [70](#)
 - optics bench assembly [29, 30](#)
 - power requirements [33](#)
 - pressure relief valve [27](#)
 - purge command [75](#)
 - rear panel [40](#)
 - remote mode [81](#)
 - serial number [35](#)
 - shutdown procedures [82](#)
 - site selection [33](#)
 - spare parts list [108](#)
 - specifications [105](#)
 - startup procedures [80](#)
 - storing [82](#)
 - troubleshooting [103](#)
- Diagnostics
- operation [43, 67, 100](#)
 - startup [80, 100](#)
 - troubleshooting [89](#)
 - user [100](#)
- Differential refractometry [22](#)
- Dimensions [32, 107](#)
- Display
- 4-character [67](#)
 - front panel [30](#)
 - troubleshooting [103](#)
- Dn
- definition [22](#)
 - measurable maximum change [77](#)
- Drift [90](#)
- Drip tray [38](#)
- ## E
- Electrical connections. See Signal connections
- Electrical specifications [107](#)
- Electronics [30](#)
- Eluent. See Solvent
- Enter key [71](#)
- Environmental specifications [106](#)
- Ext 1 °C key [72, 74](#)

Ext 2 °C key [72](#), [74](#)
External column heaters. See Column heater

F

f

definition [22](#)
effect of change [23](#)
effect of refraction [23](#)
relationship to θ [24](#)

Filter

guidelines [78](#)
noise [73](#)
parameter [78](#)
setting values [74](#)

Filter key [73](#), [74](#)

Flow cell

cleaning [84](#)
maximum pressure rating [27](#)
structure [26](#)
troubleshooting [91](#)

Fluidic connections

location [36](#)
to a column [36](#)
to a second detector [36](#)
to drip tray [38](#)
to waste [37](#)

Fluidic path

cleaning [84](#)
components [25](#)
connections [35](#)
during analysis [28](#)
during purge [28](#)
purging [73](#)

Front panel [30](#)

Fuse

faulty [85](#)
installation [34](#)
replacement [85](#)
requirements [87](#)

G

Gas solubility [64](#)

Guidelines

filter [78](#)
polarity [79](#)
scale factor [76](#)
sensitivity [76](#)
temperature [79](#)

H

Heat exchanger, countercurrent [26](#)

I

IEEE-488 address [43](#)

IEEE-488 connections

communications problems [104](#)
setting the address [43](#)
to Waters data systems [41](#)

Indicators

front panel [30](#), [69](#)
parameter [69](#)
troubleshooting [103](#)

Inject start

connection [44](#)
signal [44](#)

Injection trigger signals [55](#)

Injector, connecting to a manual [45](#)

Input and output connectors [47](#)

Installation

major steps [31](#)
of fuses [34](#)
procedure [31](#)
site requirements [33](#)

Int °C key [72](#), [74](#)

Integrator

output [71](#), [76](#), [77](#)
output specifications [106](#)

signal [54](#)
Internal oven
 displaying temperature [72](#)
 setting temperature [72](#), [72](#), [73](#)
 troubleshooting [104](#)

K

Keypad
 front panel board [30](#)
 functions [70](#)
 troubleshooting [104](#)

Keys
 function [70](#)
 numeric [72](#)

L

LED
 4-character display [67](#)
 indicators [30](#)
 lens [29](#)
 lens mask [29](#)
 parameter indicators [69](#)
 source lamp [29](#), [104](#)
 troubleshooting [104](#)
 troubleshooting indicators [103](#)
Light path [23](#), [29](#)
Limited express warranty [110](#)

M

Maintenance
 contacting Waters Technical
 Service [83](#)
 safety [83](#)
Mark key [73](#)

N

Noise
 filter [73](#), [78](#)
 increased peak [99](#)
 long-term cycling [92](#)
 random baseline [93](#)
 short-term cycling [92](#)
 troubleshooting [90](#)

O

Operating modes
 remote [70](#), [81](#)
 stand-alone [67](#)
Operating specifications [105](#)
Operation
 principles of [25](#)
 problems [84](#)
 theory of [17](#)
Optical component specifications [106](#)
Optics bench assembly [30](#)
 components [29](#)
 light path [29](#)
Output voltage, changes in [24](#)
Oven temperature
 displaying [69](#), [72](#)
 setting [72](#), [79](#)

P

Parameters
 auto zero [73](#), [75](#)
 chart mark [73](#), [75](#)
 column heater temperature [72](#), [73](#)
 effects [75](#)
 entering values [71](#)
 filter [78](#)
 indicators [69](#)
 noise filter [78](#)

- oven temperature [69](#), [72](#)
 - polarity [73](#), [75](#)
 - scale factor [71](#)
 - sensitivity [74](#)
 - setting values [75](#)
 - troubleshooting indicators [103](#)
- Peak
- identification [98](#)
 - magnitude [71](#)
 - qualification [98](#)
 - quantitation [98](#)
 - resolution [90](#), [96](#)
 - troubleshooting [98](#)
- Photodiode, dual-element
- light path [23](#), [29](#)
 - output signal [24](#)
- Polarity
- chart [73](#)
 - guidelines [79](#)
 - key [79](#)
 - setting [75](#)
- Power
- requirements [33](#)
 - specifications [107](#)
 - surges [89](#)
- PowerLine controller, connecting to [45](#)
- Pressure changes [94](#)
- Pressure relief valve [27](#)
- Primary functions [70](#), [74](#)
- Principles of operation [25](#)
- Problems in RI detection [24](#)
- Purge
- command [75](#)
 - fluidic path [28](#), [73](#)
 - function [75](#)
 - key [73](#)

Q

- q
- relationship to ϕ [20](#), [24](#)
 - use with Snell's law [21](#)

R

- Rear panel
- fuse holder [40](#)
 - power input [40](#)
 - signal connectors [40](#)
- Refraction
- angle of [20](#)
 - effect on ϕ [23](#)
 - factors affecting [20](#)
 - measuring [20](#)
 - principles [17](#)
- Refractive index
- angle relationships [20](#)
 - definition [17](#)
 - detection problems [24](#)
 - factors affecting [20](#)
 - maximum change [77](#)
 - measurements [22](#)
- Refractive index units. See RIU
- Refractometer, 2410
- access to [32](#)
 - chart mark command [75](#)
 - connecting to data systems [41](#)
 - connections to 745/745B/746 [51](#)
 - diagnostics [89](#)
 - dimensions [32](#), [107](#)
 - electronics [30](#)
 - features [16](#)
 - fluidic path [25](#)
 - front panel [30](#), [67](#)
 - injection trigger signal connections [55](#)
 - installation procedure [31](#)
 - integrator signal [54](#)
 - keypad functions [70](#)

- manual injector [45](#)
 - optics bench assembly [29](#), [30](#)
 - power requirements [33](#)
 - powering off [82](#)
 - powering on [80](#)
 - principles of operation [25](#)
 - rear panel [40](#)
 - remote mode [81](#)
 - replacing a fuse [85](#)
 - serial number [35](#)
 - site selection [33](#)
 - spare parts list [108](#)
 - specifications [105](#)
 - stand-alone mode [67](#)
 - troubleshooting [103](#)
 - Relief valve [27](#)
 - Remote
 - LED indicator [81](#)
 - mode [70](#), [81](#)
 - Remote key [70](#)
 - Reproducibility
 - errors [95](#)
 - results [63](#)
 - Results
 - reproducibility [63](#)
 - troubleshooting [90](#), [98](#)
 - Retention times
 - erratic [90](#)
 - troubleshooting [90](#), [95](#), [95](#)
 - Returns
 - authorization [114](#)
 - warranty [114](#)
- ## S
- Safety considerations [83](#), [88](#)
 - Scale factor
 - guidelines [76](#)
 - key [74](#)
 - setting values [74](#)
 - using [76](#)
 - Scale Factor key [71](#)
 - Second detector, connecting to [36](#)
 - Secondary functions [70](#), [71](#), [74](#)
 - Sens key [70](#), [71](#), [74](#)
 - Sensitivity
 - function [17](#)
 - guidelines [76](#)
 - key [71](#)
 - Sens key [70](#)
 - setting values [74](#)
 - Serial number, locating [35](#)
 - Service warranty [112](#)
 - Set °C key [73](#)
 - Signal connections
 - 2690 Separations Module [48](#)
 - Alliance system [48](#)
 - auto zero [55](#)
 - chart mark [49](#), [55](#)
 - event-in/analog-out [47](#)
 - inject start [44](#)
 - injection trigger [55](#)
 - input and output [47](#)
 - integrator [54](#)
 - making [41](#)
 - manual injector [45](#)
 - overview
 - to 745/745B/746 [51](#)
 - to a PowerLine controller [45](#)
 - to an 845/860 ExpertEase system [54](#)
 - Signal-to-noise ratio [73](#)
 - Snell's law [20](#)
 - Solenoid valve [27](#)
 - Solvent
 - changing [81](#)
 - common problems [60](#)
 - degassing [63](#)
 - general considerations [60](#)
 - ideal [61](#)
 - path [28](#)
 - preparation [60](#)

refractive indices [62](#)
selection [60](#)
Source lamp [29](#), [104](#)
Spare parts [108](#)
Sparging, overview [65](#)
Specifications
 detector [105](#)
 electrical [107](#)
 environmental [106](#)
 integrator output [106](#)
 optical [106](#)
 power source [107](#)
Startup diagnostics [80](#), [100](#)
Startup procedures [80](#)

T

Technical support [83](#)
Temperature guidelines [79](#)
Temperature parameters
 external column heaters [79](#)
 internal oven [72](#), [72](#), [73](#)
 oven [79](#)
 setting [73](#)
Troubleshooting
 analog board [104](#)
 baseline cycling [90](#)
 baseline drift [90](#), [91](#), [91](#), [91](#)
 baseline noise [90](#), [93](#)
 beeping [104](#)
 chromatography [90](#)
 contacting Waters Technical
 Service [88](#)
 detector [103](#)
 display [103](#)
 flow cell [91](#)
 hardware [100](#)
 internal oven [104](#)
 keypad [104](#)
 LED indicators [103](#)
 LED source lamp [104](#)

overview [88](#)
parameter indicators [103](#)
peak shapes [90](#), [96](#), [98](#), [99](#)
power surges [89](#)
pressure changes [94](#)
qualification [98](#)
quantitation [98](#)
reproducibility [95](#)
resolution [90](#), [96](#)
results [90](#), [98](#)
retention times [90](#), [95](#), [95](#)
safety considerations [88](#)
tables [90](#)
using diagnostics [89](#), [100](#)

Tubing

contaminated [84](#)
cutter [36](#)
cutting [36](#)

U

User diagnostics [100](#)

V

Valves

pressure relief [27](#)
solenoid [27](#)

Voltage

operating [107](#)
requirements [87](#)

W

Warranty

claims [114](#)
damages [114](#)
information [110](#)
period [113](#)
returns [114](#)
service [112](#)

*I
N
D
E
X*

Waste

connections to [37](#)

container [38](#), [84](#)

line [38](#)

purging to [29](#)

Waters, contacting Technical Service [35](#),

[83](#), [88](#)



Artisan Technology Group is your source for quality new and certified-used/pre-owned equipment

- FAST SHIPPING AND DELIVERY
- TENS OF THOUSANDS OF IN-STOCK ITEMS
- EQUIPMENT DEMOS
- HUNDREDS OF MANUFACTURERS SUPPORTED
- LEASING/MONTHLY RENTALS
- ITAR CERTIFIED SECURE ASSET SOLUTIONS

SERVICE CENTER REPAIRS

Experienced engineers and technicians on staff at our full-service, in-house repair center

*InstraView*SM REMOTE INSPECTION

Remotely inspect equipment before purchasing with our interactive website at www.instraview.com ↗

WE BUY USED EQUIPMENT

Sell your excess, underutilized, and idle used equipment. We also offer credit for buy-backs and trade-ins. www.artisanng.com/WeBuyEquipment ↗

LOOKING FOR MORE INFORMATION?

Visit us on the web at www.artisanng.com ↗ for more information on price quotations, drivers, technical specifications, manuals, and documentation

Contact us: (888) 88-SOURCE | sales@artisanng.com | www.artisanng.com