

1D/2D Code Scanner

FIS-6801-0111G-01

Part Number

LASER



- Auto-button function
- Diagnosis functions
- Integrated code reconstruction
- Integrated LED illumination

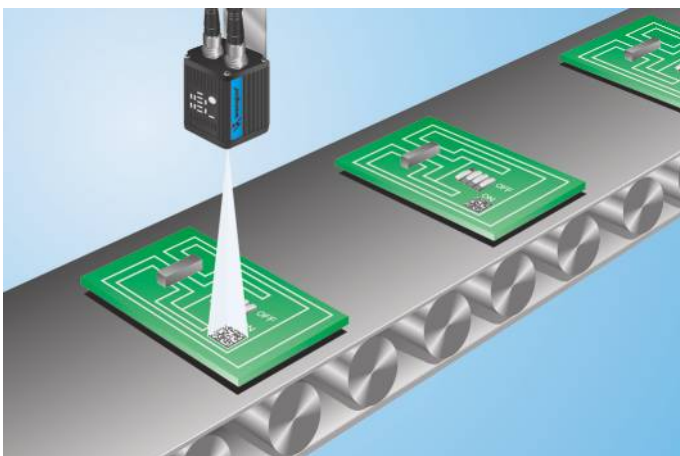
These 2D code scanners are suitable for omnidirectional scanning of 1D and 2D codes.

The following code types can be processed:

1D codes: Code39, Code93, Code128, UPC/EAN, BC412, Interleaved 2 of 5, Codabar, Postal Codes, Pharmacode

2D codes: DataMatrix ECC 0...200, PDF417, Micro PDF417, QR-Code, Micro QR-Code, Aztec Code, GS1 Databar.

Additional code types upon request.



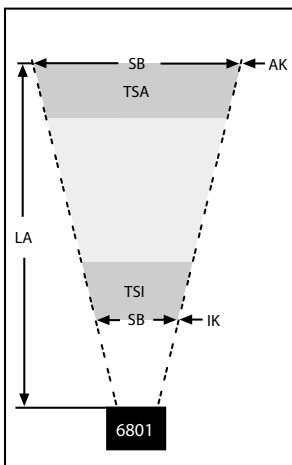
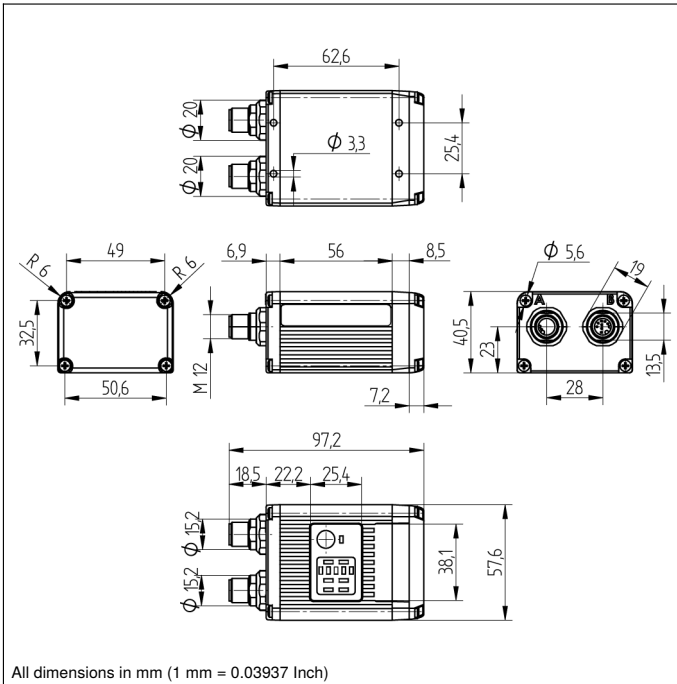
Technical Data

Optical Data	
15° Optic	yes
Read Range	> 25 mm
Resolution	752 x 480 Pixel
Light Source	Red Light
Wave Length	626 nm
Service Life (T = +25 °C)	50000 h
Laser Class (EN 60825-1)	1
min. Resolution	0,08 mm
Barcode Label Contrast	> 20 %

Electrical Data	
Supply Voltage	5...28 V DC
Current Consumption (U _b = 24 V)	200 mA
Scan Rate	60 scans/sec
Temperature Range	0...50 °C
Switching Output	Optoisolator
Switching Outputs	3
Switching Output/Switching Current	100 mA
Reverse Polarity Protection	yes
Network Possibilities	Daisy Chain, Multidrop
Interface	RS-232/422/485
Baud Rate	< 115200 Bd
Trigger Input	Optoisolator
Signal Input	Optoisolator
Number of Signal Inputs	3
Acoustic signal	yes

Mechanical Data	
Housing Material	Metal
Weight	280 g
Degree of Protection	IP65
Connection	M12 x 1; 12-pin
PNP NO/NC switchable	●
NPN NO/NC switchable	●
Connection Table No.	49
Control Panel No.	Fi2
Suitable Connection Technology No.	12 13
Suitable Mounting Technology No.	440

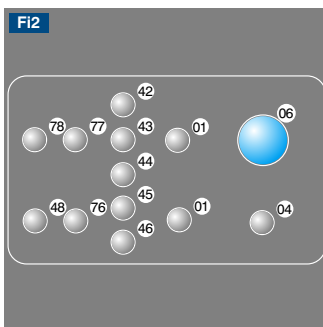




Min. Resolution		Max. Field of vision		Depth of Focus		Read Range
1D	2D	IK	AK	TSI	TSA	
15°						
0,08 mm	0,13 mm	19×12 mm	39×24 mm	6 mm	10 mm	48 mm to 127 mm
0,19 mm	0,25 mm	18×11 mm	58×36 mm	10 mm	25 mm	46 mm to 203 mm
0,38 mm	0,51 mm	18×11 mm	64×39 mm	13 mm	76 mm	44 mm to 229 mm
0,89 mm	1,27 mm	26×16 mm	75×122 mm	15 mm	101 mm	76 mm to 274 mm
30°						
0,08 mm	0,13 mm	21×13 mm	46×29 mm	10 mm	20 mm	25 mm to 76 mm
0,19 mm	0,25 mm	21×13 mm	89×56 mm	20 mm	46 mm	25 mm to 165 mm
0,38 mm	0,51 mm	21×13 mm	211×134 mm	51 mm	216 mm	25 mm to 406 mm
0,89 mm	1,27 mm	33×21 mm	417×266 mm	76 mm	546 mm	51 mm to 813 mm
45°						
0,19 mm	0,25 mm	33×21 mm	104×66 mm	38 mm	51 mm	25 mm to 127 mm
0,38 mm	0,51 mm	33×21 mm	191×121 mm	51 mm	152 mm	25 mm to 241 mm
0,89 mm	1,27 mm	33×21 mm	465×296 mm	97 mm	483 mm	25 mm to 597 mm

IK = Inner Edge AK = Outer Edge TSA = Depth of Focus Outer Edge TSI = Depth of Focus Inner Edge LA = Read Range SB = Scan Width

Ctrl. Panel



- | | | |
|---|-------------------------------|-------------------------|
| 01 = Switching Status Indicator | 43 = Reading Performance 80 % | 48 = Network Status |
| 04 = Function Indicator | 44 = Reading Performance 60 % | 76 = Network Tx enabled |
| 06 = Teach Button | 45 = Reading Performance 40 % | 77 = Network Rx enabled |
| 42 = Reading Performance 100%/Good Read | 46 = Reading Performance 20 % | 78 = Module status |

Complementary Products

Connection Box ZAA12NN01

Feldbus Gateways ZAGxxxN01

Power Supply Unit NT10