

Barcode Raster Scanner

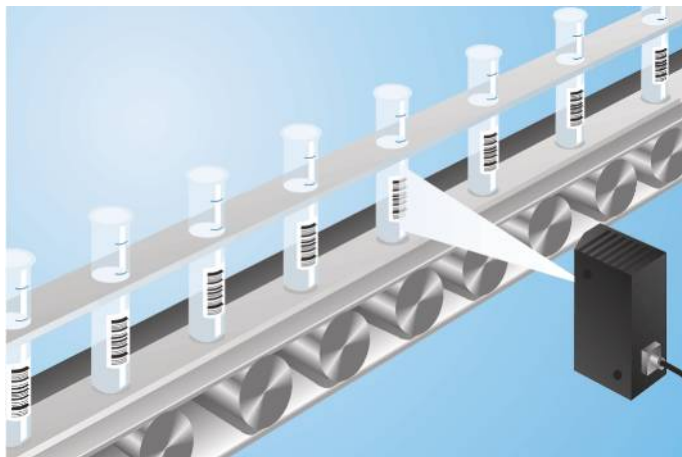
FIS-0830-1100 LASER

Part Number



- Adaptable 90° mirror
- Adjustable scanning width
- Diagnosis functions
- Ethernet TCP/IP and EtherNet/IP
- Integrated code reconstruction

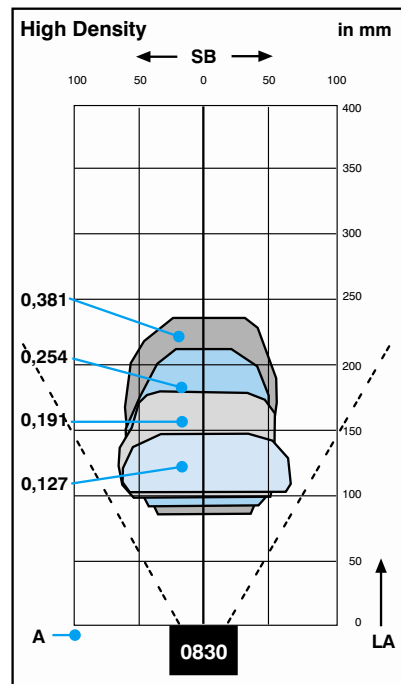
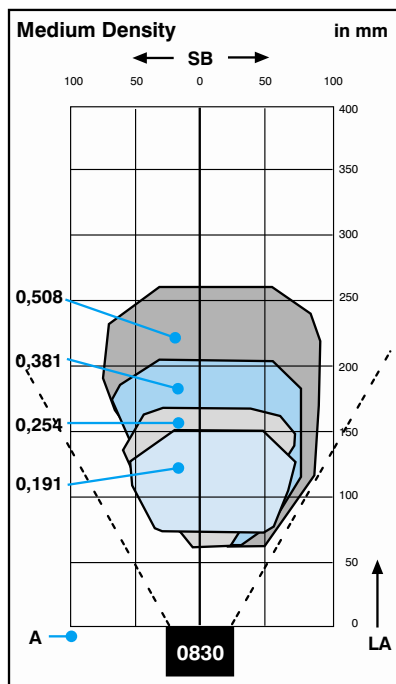
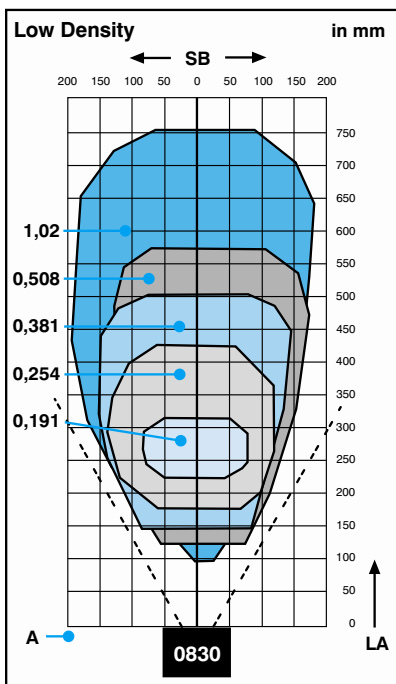
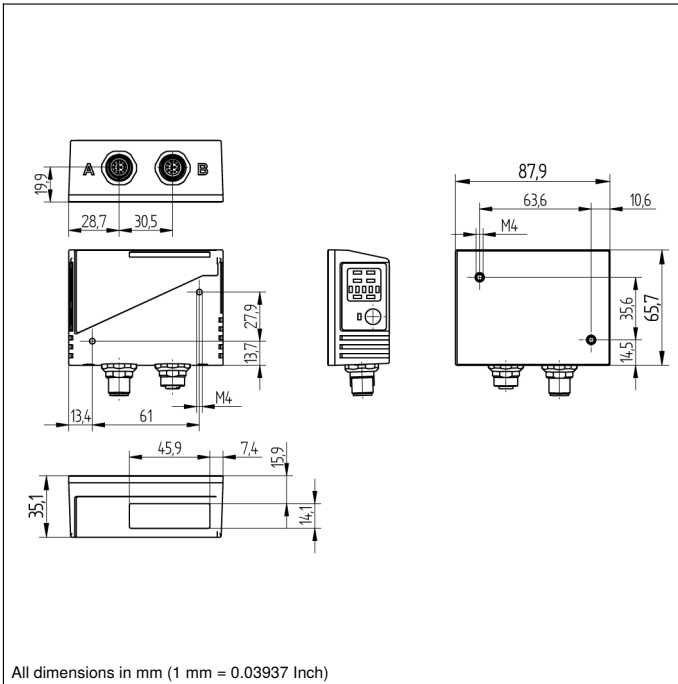
This barcode scanner is suitable for reading very high density barcodes. The adjustable scanning width allows for ideal adaptation to your application. The following code types can be processed: Code39, Code93, Interleaved 2 of 5, Code128, Codabar, UPC, PDF417, Micro PDF417, UCC/EAN-128, AIAG, GS1 Databar, Pharmacode.



Technical Data

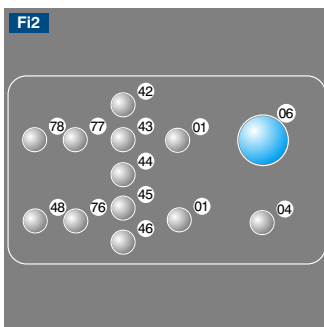
Optical Data	
Low density	yes
Fixed Raster Angle	2 °
Number of Raster Lines	10
Read Range	102...762 mm
Light Source	Laser (red)
Wave Length	655 nm
Service Life (T = +25 °C)	50000 h
Laser Class (EN 60825-1)	2
Max. Ambient Light	4840 Lux
Opening Angle	60 °
Adjustable Scan Width	yes
Barcode Label Contrast	> 25 %
Electrical Data	
Supply Voltage	10...28 V DC
Power Consumption	4320 mW
Scan Rate	300...1400 scans/sec
On-/Off-Delay (RS-232)	0...2,55 s
Temperature Range	0...50 °C
Switching Output	Optoisolator
Switching Outputs	3
Switching Output/Switching Current	100 mA
Reverse Polarity Protection	yes
Network Possibilities	Ethernet
Interface	RS-232
Baud Rate	< 100 MBd
Trigger Input	Optoisolator
Signal Input	Optoisolator
Number of Signal Inputs	2
Acoustic signal	yes
Protection Class	III
Mechanical Data	
Housing Material	Aluminum
Weight	212 g
Degree of Protection	IP65
Connection	M12 × 1; 12-pin
PNP NO/NC switchable	●
NPN NO/NC switchable	●
Connection Table No.	39
Control Panel No.	Fi2
Suitable Connection Technology No.	12 13
Suitable Mounting Technology No.	440





A = Resolution LA = Read Range SB = Scan Width

Ctrl. Panel



01 = Switching Status Indicator
 04 = Function Indicator
 06 = Teach Button
 42 = Reading Performance 100%/Good Read

43 = Reading Performance 80%/Status/Trigger
 44 = Reading Performance 60 %
 45 = Reading Performance 40 %
 46 = Reading Performance 20 %

48 = Network Status
 76 = Network Tx enabled
 77 = Network Rx enabled
 78 = Module status

Complementary Products

Connection Box ZAA12NN01

Connection Cable ZAV88Rx01

Deflection Mirror LA19

Feldbus Gateways ZAGxxxN01

Power Supply Unit NT10