

Barcode Sweep Raster Scanner

FIS-0870-1105 LASER

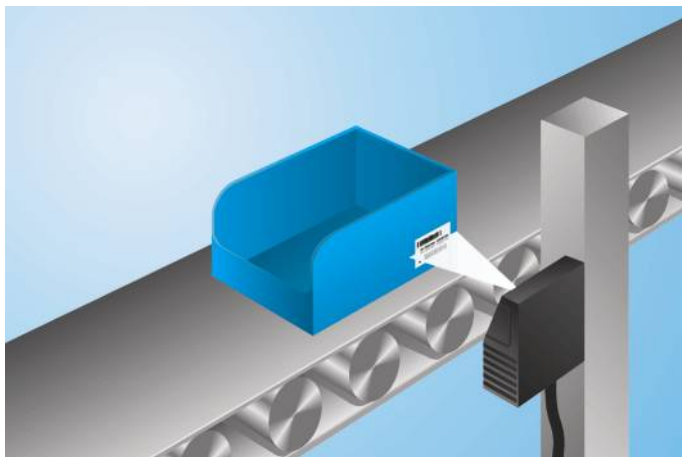
Part Number



- Ethernet TCP/IP and EtherNet/IP
- Integrated code reconstruction
- LED scanning rate indicator
- Maximum oscillation rate: 80 oscillations/second
- Teach-in

This sweep raster scanner is suitable for scanning surface areas. The adjustable path-folding angle of the oscillating mirror allows for ideal adaptation to your application.

The following code types can be processed:
Code39, Interleaved 2 of 5, Code128, Codabar, UPC, PDF417, Code93, AIAG, UCC/EAN-128, Micro PDF, Pharmacode, GS1 Databar.



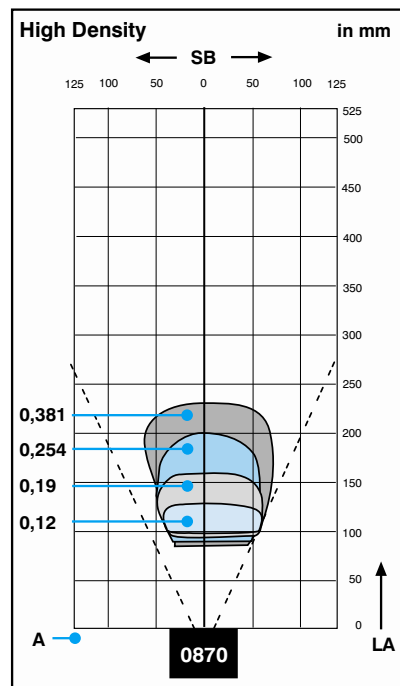
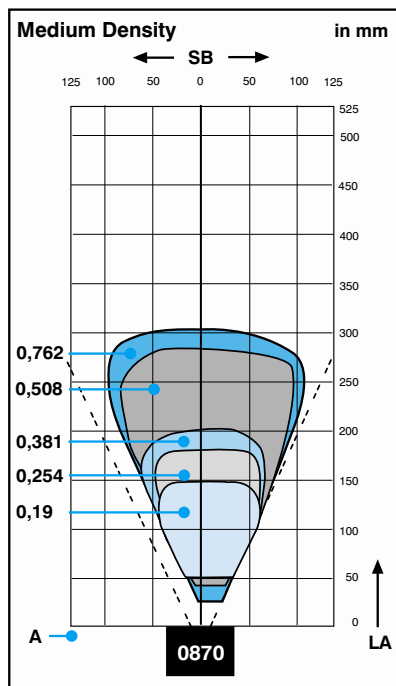
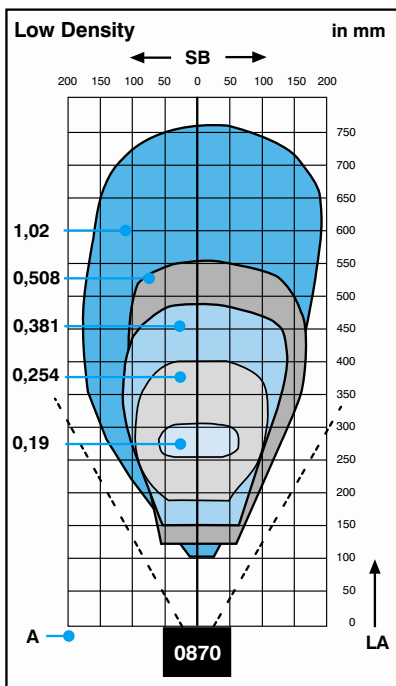
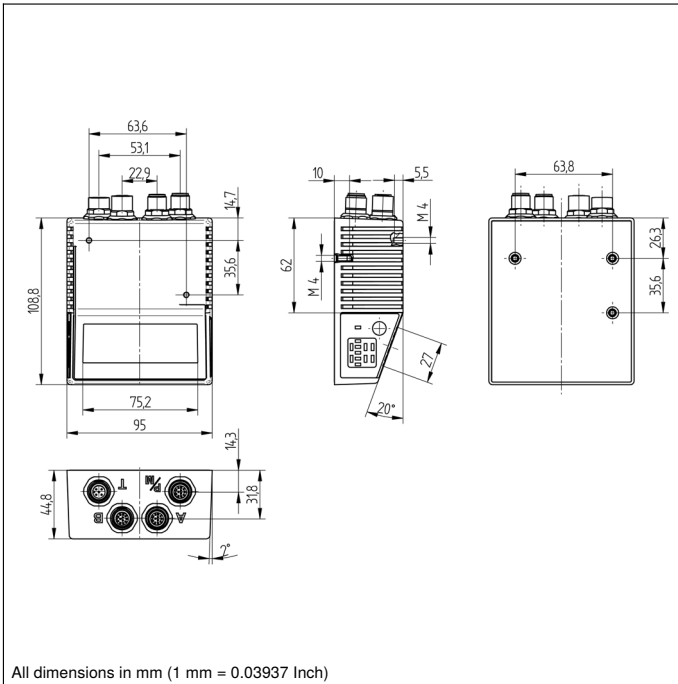
Technical Data

Optical Data	
Low density	yes
Read Range	102...762 mm
Light Source	Laser (red)
Wave Length	655 nm
Service Life (T = +25 °C)	50000 h
Laser Class (EN 60825-1)	2
Max. Ambient Light	4840 Lux
Opening Angle	60 °
Adjustable Scan Width	yes
Barcode Label Contrast	> 25 %

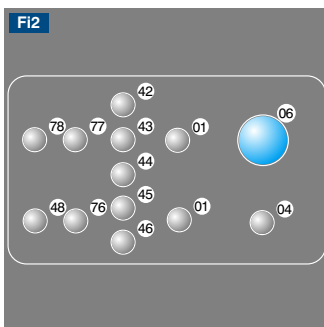
Electrical Data	
Supply Voltage	10...28 V DC
Power Consumption	6480 mW
Scan Rate	300...1400 scans/sec
Temperature Range	0...50 °C
Switching Output	Optoisolator
Switching Outputs	3
Switching Output/Switching Current	100 mA
Reverse Polarity Protection	yes
Network Possibilities	Ethernet
Interface	RS-232/422/485
Baud Rate	< 100 MBd
Trigger Input	Optoisolator
Signal Input	Optoisolator
Number of Signal Inputs	3
Acoustic signal	yes
Protection Class	III

Mechanical Data	
Housing Material	Aluminum
Weight	453 g
Degree of Protection	IP65
Connection	M12 × 1; 12-pin
PNP NO/NC switchable	●
NPN NO/NC switchable	●
Connection Table No.	47
Control Panel No.	F12
Suitable Connection Technology No.	12 13
Suitable Mounting Technology No.	440





Ctrl. Panel



01 = Switching Status Indicator
 04 = Function Indicator
 06 = Teach Button
 42 = Reading Performance 100%/Good Read

43 = Reading Performance 80%/Status/Trigger
 44 = Reading Performance 60 %
 45 = Reading Performance 40 %
 46 = Reading Performance 20 %

48 = Network Status
 76 = Network Tx enabled
 77 = Network Rx enabled
 78 = Module status

Complementary Products

Connection Box ZAA12NN01

Connection Cable ZAV88Rx01

Feldbus Gateways ZAGxxxN01

Power Supply Unit NT10

Raster Configuration

Raster Sweep Angle	0°...10°	11°...20°	21°...34°
Sweeps/sec	80	60	40