



Artisan Technology Group is your source for quality new and certified-used/pre-owned equipment

- FAST SHIPPING AND DELIVERY
- TENS OF THOUSANDS OF IN-STOCK ITEMS
- EQUIPMENT DEMOS
- HUNDREDS OF MANUFACTURERS SUPPORTED
- LEASING/MONTHLY RENTALS
- ITAR CERTIFIED SECURE ASSET SOLUTIONS

SERVICE CENTER REPAIRS

Experienced engineers and technicians on staff at our full-service, in-house repair center

*InstraView*SM REMOTE INSPECTION

Remotely inspect equipment before purchasing with our interactive website at www.instraview.com ↗

WE BUY USED EQUIPMENT

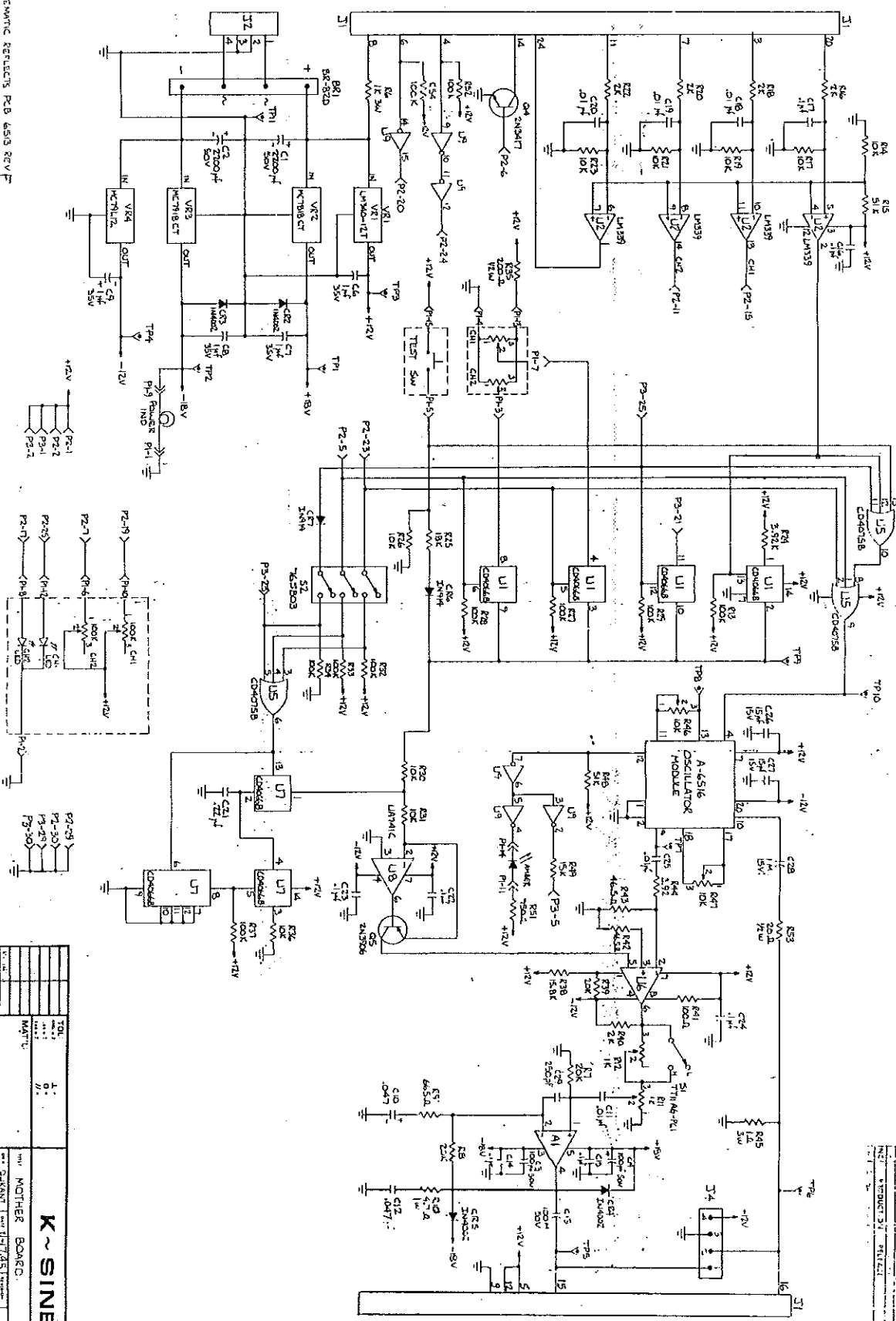
Sell your excess, underutilized, and idle used equipment. We also offer credit for buy-backs and trade-ins. www.artisanng.com/WeBuyEquipment ↗

LOOKING FOR MORE INFORMATION?

Visit us on the web at www.artisanng.com ↗ for more information on price quotations, drivers, technical specifications, manuals, and documentation

Contact us: (888) 88-SOURCE | sales@artisanng.com | www.artisanng.com

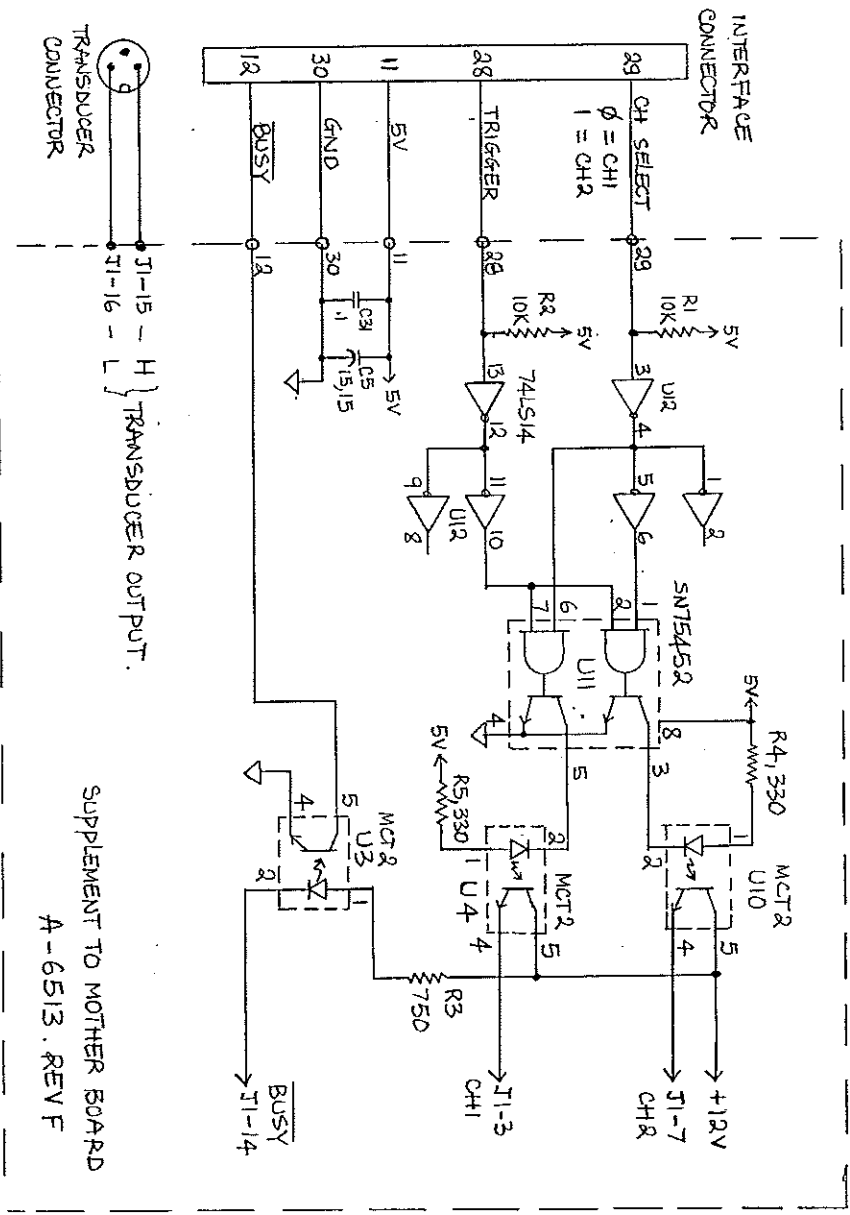
1. THIS SCHEMATIC REFLECTS PCB 6513 REV F
 NOTES: UNLESS OTHERWISE SPECIFIED



REV	1.0	DATE	01
DESIGNED BY	MARTIN	DATE	
APPROVED BY		DATE	
TESTED BY		DATE	
MODIFIED BY		DATE	
USED ON	J	PROJECT	MOTHER BOARD
REV	B	DATE	08-05-13
BY		DATE	

K ~ SINE

REVISIONS		DATE	BY
REV	DESCRIPTION		
1	PRODUCTION RELEASE		

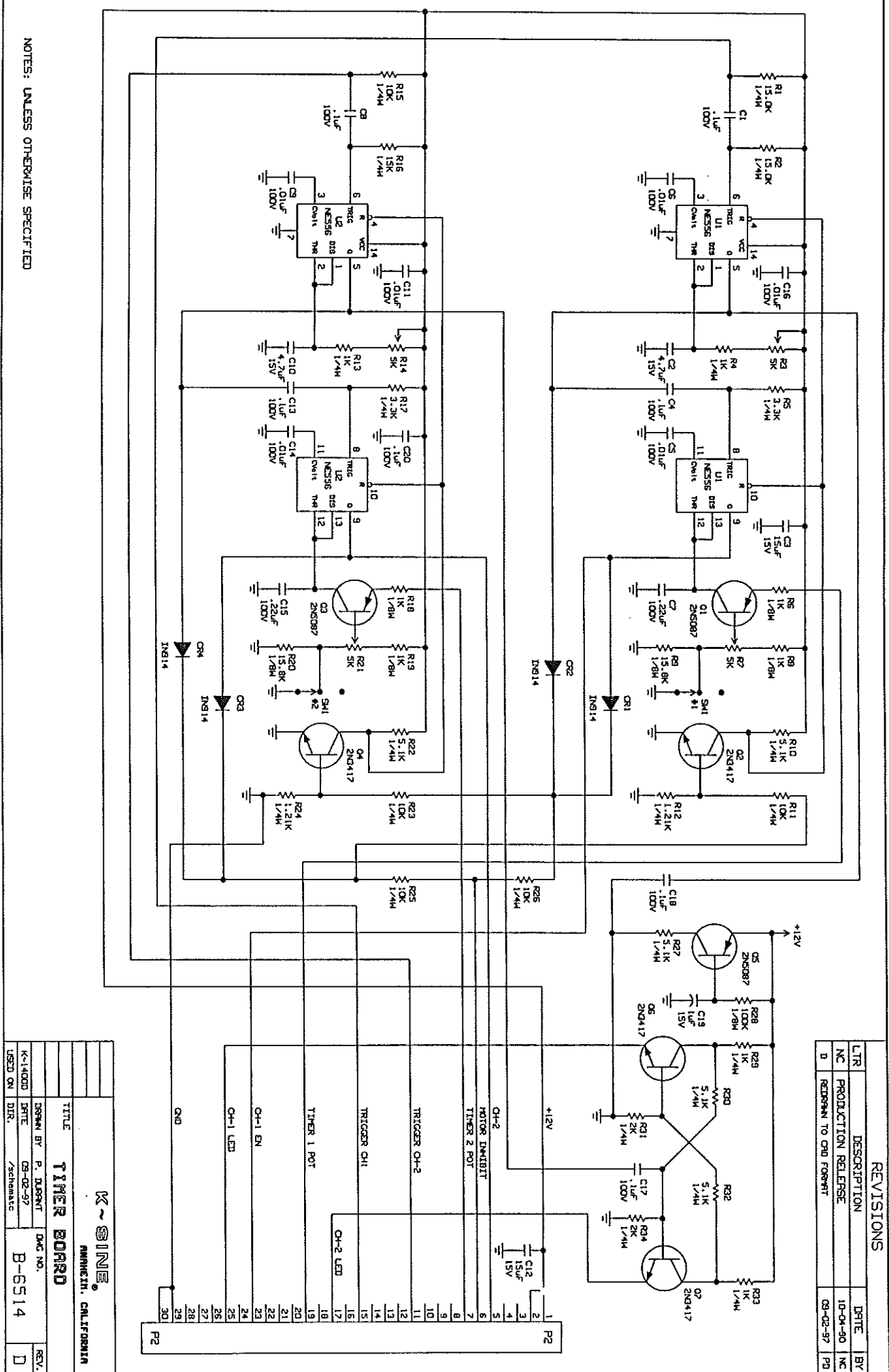


SUPPLEMENT TO MOTHER BOARD
A-6513, REV F

NOTES: UNLESS OTHERWISE SPECIFIED

K~SINE		ANAHIM, CALIFORNIA 92805	
TITLE K1400 MOTHER BOARD			
DATE	DATE	VERSION	DRAWING NUMBER
1-80	1-17-95	B	B-6513 SH2
REV	DATE	BY	CHKD

NOTES: UNLESS OTHERWISE SPECIFIED

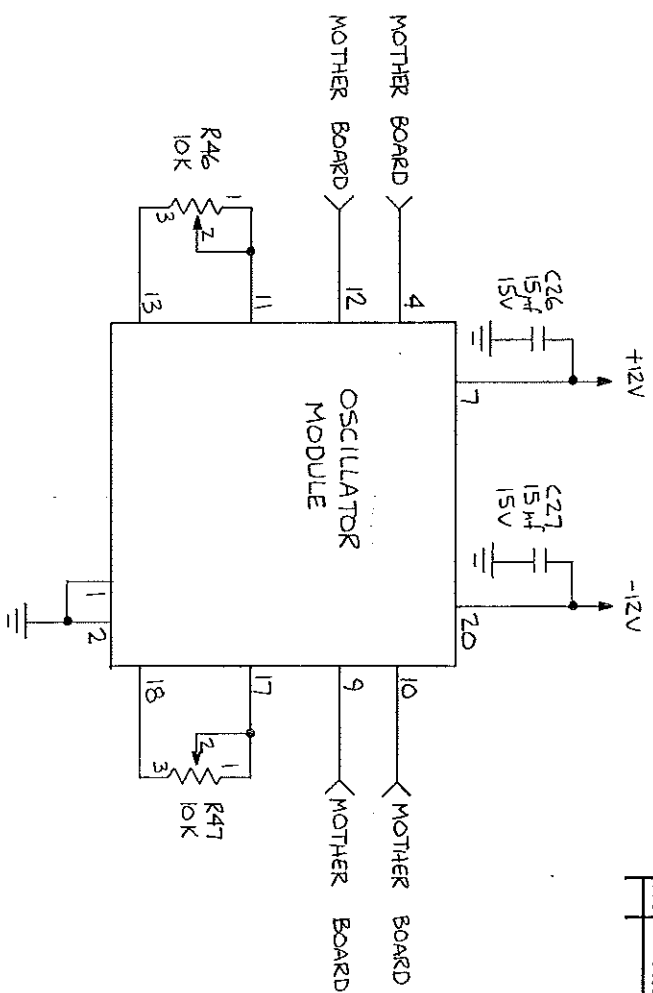


REVISIONS			
LTR	DESCRIPTION	DATE	BY
NC	PRODUCTION RELEASE	10-04-90	NC
D	REWORK TO QND FORGHT	09-02-97	PD

K~SINE		ANALOG, CALIFORNIA	
TITLE: TIMER BOARD			
DESIGN BY	P. DUBONT	DWG. NO.	
DATE	09-02-97	REV.	
USED ON	DIR.		

8800 GROUP/MS/ACQUINTA
 REPORT NO. 88-516

NOTES: UNLESS OTHERWISE SPECIFIED

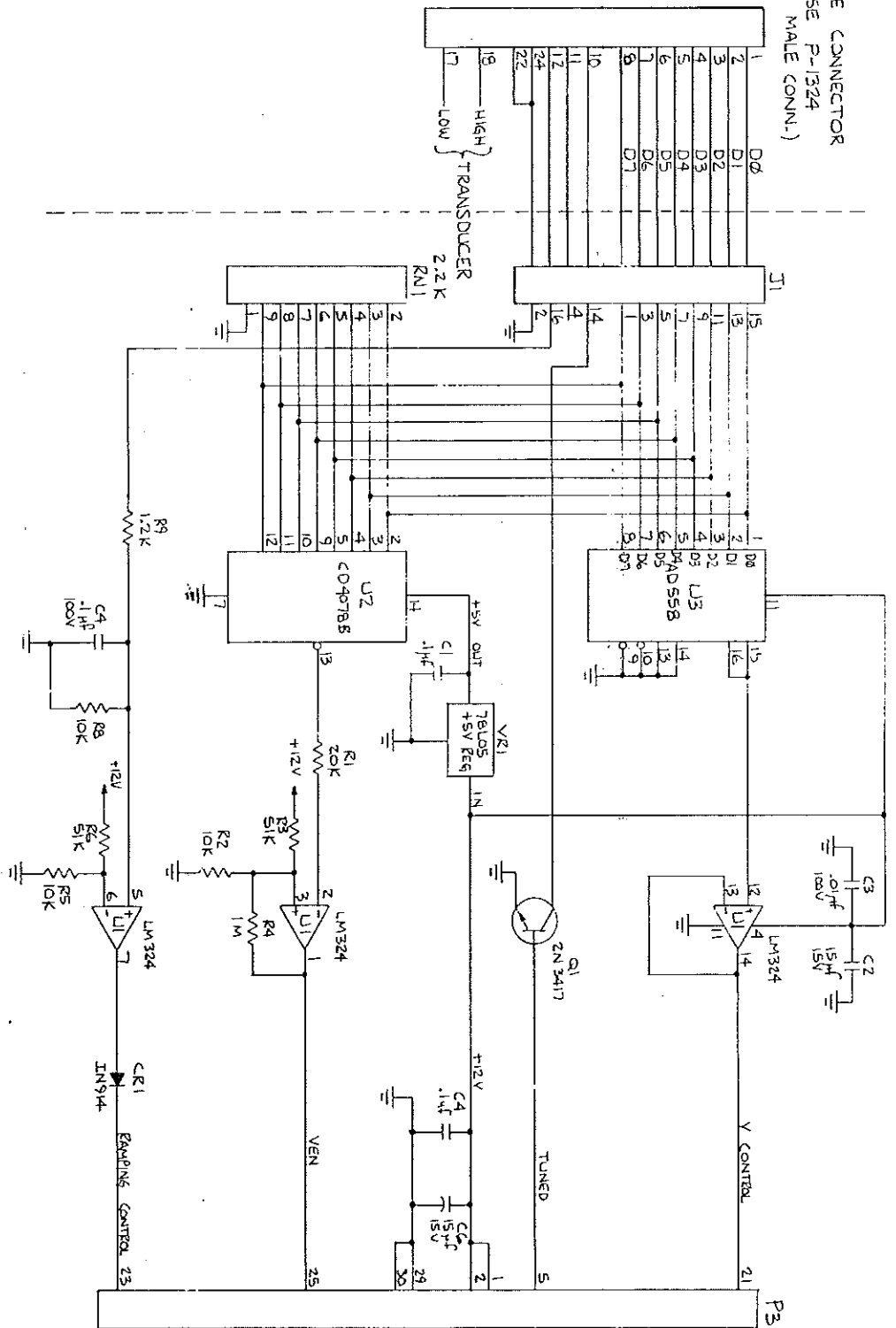


REVISIONS			
LTR	DESCRIPTION	DATE	APP
NC	PRODUCTION RELEASE		

TOL:		ANG - ±	1"
		XXX - ±	//"
		XXXX - ±	
MATERIAL:			
FINISH:		J	
TITLE		K ~ SINE	
DR BY DURANT		DATE 2-11-90	REVISION
APPD		DATE	NC
SCALE			DRAWING NUMBER
			B-6516

MODEL FEATURE	USED ON

BONDER INTERFACE CONNECTOR
 HIROSE P-1324
 (24 PIN MALE CONN.)



NOTES: UNLESS OTHERWISE SPECIFIED

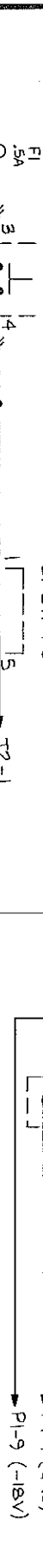
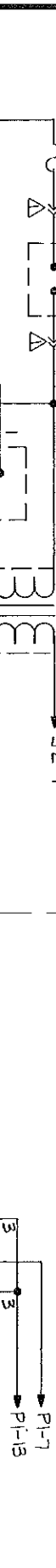
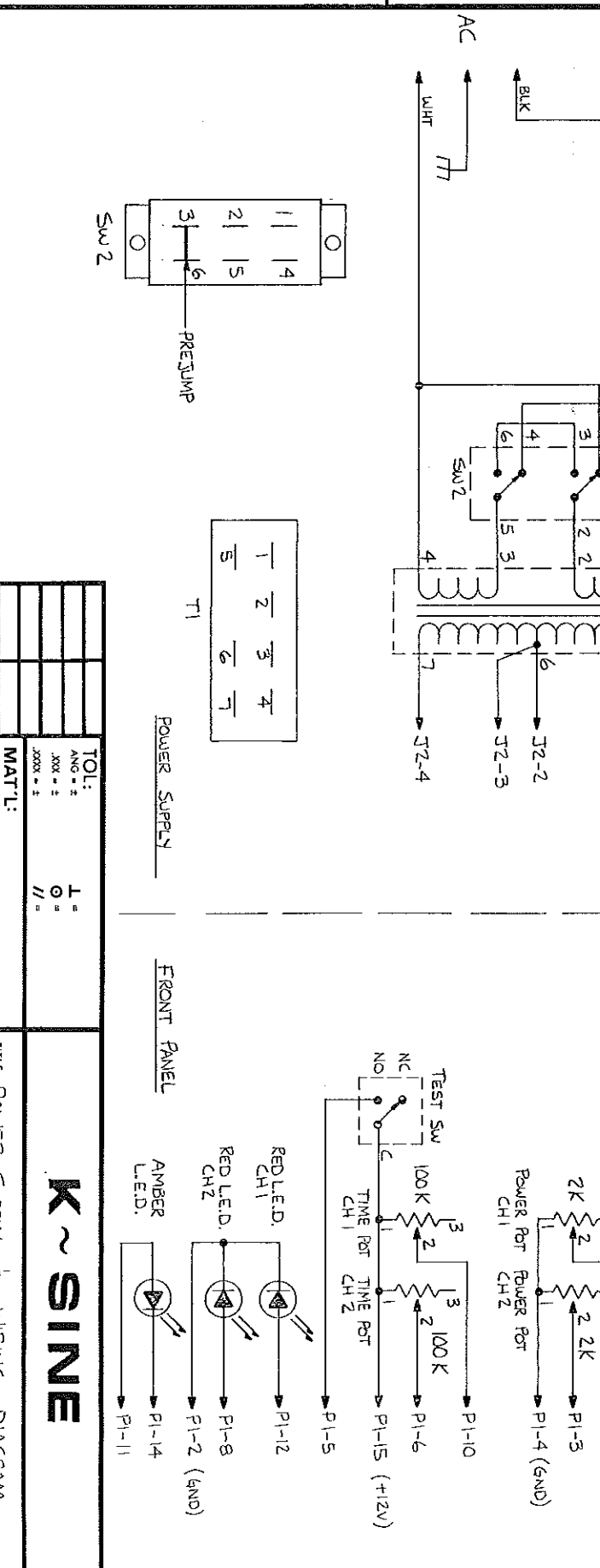
REVISIONS	
11	PRODUCTION
12	RELEASE

K ~ SINE	
TOL:	1.0
AND N. 1	0.5
AND N. 2	0.2
AND N. 3	0.1
AND N. 4	0.05
AND N. 5	0.02
AND N. 6	0.01
AND N. 7	0.005
AND N. 8	0.002
AND N. 9	0.001
AND N. 10	0.0005
AND N. 11	0.0002
AND N. 12	0.0001
AND N. 13	0.00005
AND N. 14	0.00002
AND N. 15	0.00001
AND N. 16	0.000005
AND N. 17	0.000002
AND N. 18	0.000001
AND N. 19	0.0000005
AND N. 20	0.0000002
AND N. 21	0.0000001
AND N. 22	0.00000005
AND N. 23	0.00000002
AND N. 24	0.00000001
AND N. 25	0.000000005
AND N. 26	0.000000002
AND N. 27	0.000000001
AND N. 28	0.0000000005
AND N. 29	0.0000000002
AND N. 30	0.0000000001
AND N. 31	0.00000000005
AND N. 32	0.00000000002
AND N. 33	0.00000000001
AND N. 34	0.000000000005
AND N. 35	0.000000000002
AND N. 36	0.000000000001
AND N. 37	0.0000000000005
AND N. 38	0.0000000000002
AND N. 39	0.0000000000001
AND N. 40	0.00000000000005
AND N. 41	0.00000000000002
AND N. 42	0.00000000000001
AND N. 43	0.000000000000005
AND N. 44	0.000000000000002
AND N. 45	0.000000000000001
AND N. 46	0.0000000000000005
AND N. 47	0.0000000000000002
AND N. 48	0.0000000000000001
AND N. 49	0.00000000000000005
AND N. 50	0.00000000000000002
AND N. 51	0.00000000000000001
AND N. 52	0.000000000000000005
AND N. 53	0.000000000000000002
AND N. 54	0.000000000000000001
AND N. 55	0.0000000000000000005
AND N. 56	0.0000000000000000002
AND N. 57	0.0000000000000000001
AND N. 58	0.00000000000000000005
AND N. 59	0.00000000000000000002
AND N. 60	0.00000000000000000001
AND N. 61	0.000000000000000000005
AND N. 62	0.000000000000000000002
AND N. 63	0.000000000000000000001
AND N. 64	0.0000000000000000000005
AND N. 65	0.0000000000000000000002
AND N. 66	0.0000000000000000000001
AND N. 67	0.00000000000000000000005
AND N. 68	0.00000000000000000000002
AND N. 69	0.00000000000000000000001
AND N. 70	0.000000000000000000000005
AND N. 71	0.000000000000000000000002
AND N. 72	0.000000000000000000000001
AND N. 73	0.0000000000000000000000005
AND N. 74	0.0000000000000000000000002
AND N. 75	0.0000000000000000000000001
AND N. 76	0.00000000000000000000000005
AND N. 77	0.00000000000000000000000002
AND N. 78	0.00000000000000000000000001
AND N. 79	0.000000000000000000000000005
AND N. 80	0.000000000000000000000000002
AND N. 81	0.000000000000000000000000001
AND N. 82	0.0000000000000000000000000005
AND N. 83	0.0000000000000000000000000002
AND N. 84	0.0000000000000000000000000001
AND N. 85	0.00000000000000000000000000005
AND N. 86	0.00000000000000000000000000002
AND N. 87	0.00000000000000000000000000001
AND N. 88	0.000000000000000000000000000005
AND N. 89	0.000000000000000000000000000002
AND N. 90	0.000000000000000000000000000001
AND N. 91	0.0000000000000000000000000000005
AND N. 92	0.0000000000000000000000000000002
AND N. 93	0.0000000000000000000000000000001
AND N. 94	0.00000000000000000000000000000005
AND N. 95	0.00000000000000000000000000000002
AND N. 96	0.00000000000000000000000000000001
AND N. 97	0.000000000000000000000000000000005
AND N. 98	0.000000000000000000000000000000002
AND N. 99	0.000000000000000000000000000000001
AND N. 100	0.0000000000000000000000000000000005

REVISIONS

LTR	DESCRIPTION	DATE	APP
NC	PRODUCTION RELEASE		

REVISIONS		DATE	APP



TOL:		MATEL:	
ANG = ±	L =		
.XXX = ±			
.XXX = ±			

TITLE POWER SUPPLY & WIRING DIAGRAM		REVISION	DRAWING NUMBER
DR BY DURANT	DATE 2-10-9	NC	B-6774
APPD	DATE		
SCALE			

NOTES: UNLESS OTHERWISE SPECIFIED

USE QUICK DISCONNECT PINS.

ARTISAN TECHNOLOGY GROUP
 888-88-SOURCE



Artisan Technology Group is your source for quality new and certified-used/pre-owned equipment

- FAST SHIPPING AND DELIVERY
- TENS OF THOUSANDS OF IN-STOCK ITEMS
- EQUIPMENT DEMOS
- HUNDREDS OF MANUFACTURERS SUPPORTED
- LEASING/MONTHLY RENTALS
- ITAR CERTIFIED SECURE ASSET SOLUTIONS

SERVICE CENTER REPAIRS

Experienced engineers and technicians on staff at our full-service, in-house repair center

*InstraView*SM REMOTE INSPECTION

Remotely inspect equipment before purchasing with our interactive website at www.instraview.com ↗

WE BUY USED EQUIPMENT

Sell your excess, underutilized, and idle used equipment. We also offer credit for buy-backs and trade-ins. www.artisanng.com/WeBuyEquipment ↗

LOOKING FOR MORE INFORMATION?

Visit us on the web at www.artisanng.com ↗ for more information on price quotations, drivers, technical specifications, manuals, and documentation

Contact us: (888) 88-SOURCE | sales@artisanng.com | www.artisanng.com