



Artisan Technology Group is your source for quality new and certified-used/pre-owned equipment

- FAST SHIPPING AND DELIVERY
- TENS OF THOUSANDS OF IN-STOCK ITEMS
- EQUIPMENT DEMOS
- HUNDREDS OF MANUFACTURERS SUPPORTED
- LEASING/MONTHLY RENTALS
- ITAR CERTIFIED SECURE ASSET SOLUTIONS

SERVICE CENTER REPAIRS

Experienced engineers and technicians on staff at our full-service, in-house repair center

*InstraView*SM REMOTE INSPECTION

Remotely inspect equipment before purchasing with our interactive website at www.instraview.com ↗

WE BUY USED EQUIPMENT

Sell your excess, underutilized, and idle used equipment. We also offer credit for buy-backs and trade-ins. www.artisanng.com/WeBuyEquipment ↗

LOOKING FOR MORE INFORMATION?

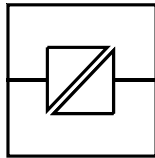
Visit us on the web at www.artisanng.com ↗ for more information on price quotations, drivers, technical specifications, manuals, and documentation

Contact us: (888) 88-SOURCE | sales@artisanng.com | www.artisanng.com

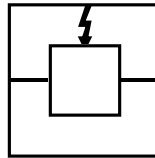
MD-42 AC
MD-42 DC

INSTALLATIONSANVISNING INSTALLATION MANUAL INSTALLATIONS ANLEITUNG

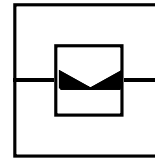
6152-2002



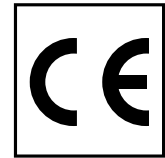
Galvanic
Isolation



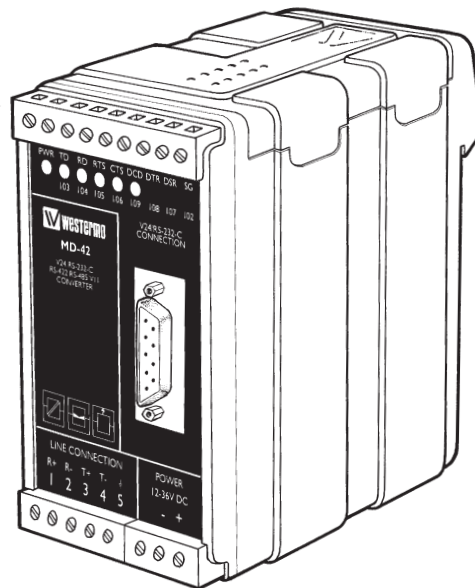
Transient
Protection



Balanced
Transmission



CE
Approved



**Omvandlare RS-232 – RS-422/485
Converter RS-232 – RS-422/485
RS-232 – RS-422/485 Wandler**

 **westermo**[®]
www.westermo.se

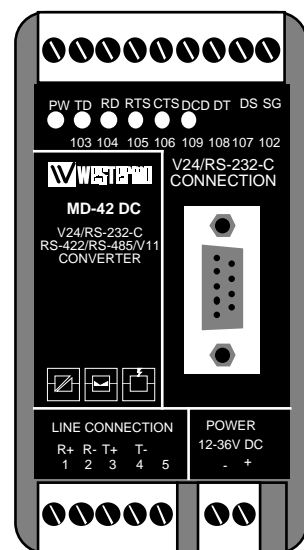
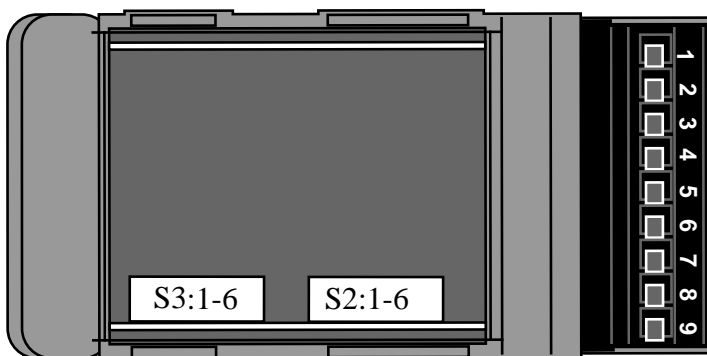








Specifications



Transmission	Asynchronous, full/half duplex or simplex
Interface 1	EIA RS-232-C/CCITT V.24, 9-position D-sub female / Screw-terminal
Interface 2	EIA RS-422/RS-485/CCITT V.11
Data rate	Up to 115.2 kbit/s
Indicators	Power, TD, RD, RTS, CTS, DCD
Insulation	Galvanic insulation with opto-coupler (data transmission) and transformer (supply)
Insulation voltage	1500V
Overvoltage protection	Mains: Breakdown voltage 430V at 230V AC and 230V at 115V AC* Interface 2: Breakdown voltage transmitter and receiver 7V Surge capacity 0.6 kW for 1ms
Power supply	115V*/230VAC +15/-10% 48-62Hz
Fuse	100 mA fast 5x20 mm
Power consumption	Max 4VA at 115V*/230V AC
Temperature range	5-50°C, ambient temperature
Humidity	0-95% RH, non-condensing
Dimensions	55x100x128 mm (BxHxD)
Weight	AC 0.5 kg, DC 0.3 kg
Mounting	At DIN-rail 35 mm



* MD-42 115V AC only



Warning!
Do not open connected unit






Transmitter			
	Transmitter Activated by	CTS controlled by	DCD controlled by
S2		RTS	RTS
S2		RTS	Always high
S2		DTR	DTR
S2		DTR	Always high
S2		Always active	Always high
S2		Always active	Always high

CTS-delay	
S2	 0ms
S2	 20ms

Selection of 2- or 4-wire	
S3	 4-wire
S3	 2-wire

Factory settings	
S2	
S3	

Termination with fail-safe ¹⁾	
S3	 Termination (4-wire)
S3	 Termination (2-wire)
S3	 No termination

1) The fail-safe function forces the signal state of the receiver to OFF when the connected transmitter is in tri-state (transmitter inactive). The receiver located furthest away shall be terminated.

Switch settings

The MD-42 can through different switch settings be adapted to a variety of running conditions. To set switches, open the plastic case by removing the top cover.

- S2 Selection of signal activating the transmitter
- Selection of signal controlling DCD
- Selection of CTS delay
- S3 Selection of termination with fail-safe 1)
- Selection of 2- or 4-wire communication

Connections MD-42

Line connection


(5-Position screw-terminal)

Direction	No.	Description
Receiver	1	A' (R+)
Receiver	2	B' (R-)
Transmitter	3	A (T+)
Transmitter	4	B (T-)
	5	Shield

The definitions R+/R-,T+/T- can be various between different manufactures.

Power connection (AC)

(3-position screw-terminal)

Screw no.	Power Supply
N	115V*/230V
L	AC power
	PE/Protective Earth

* MD-42 115V only

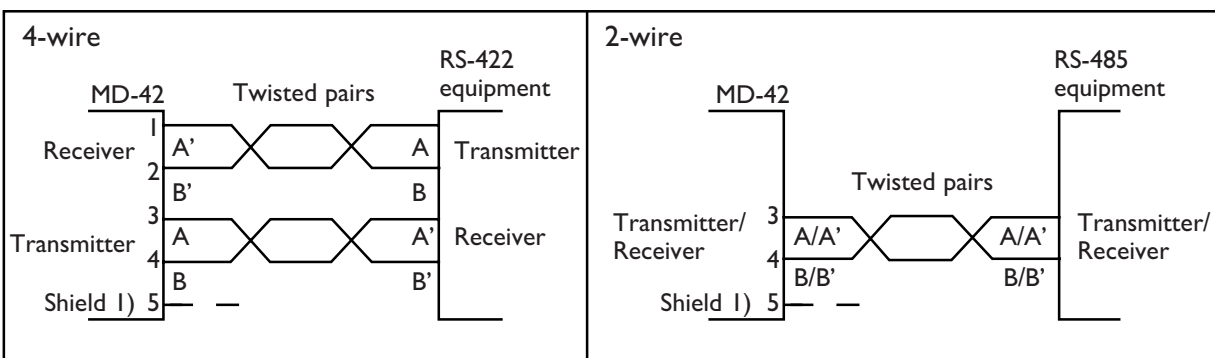
Terminal connection (DCE)

(RS-232-C/V.24, 9-position D-sub, female/screw-terminal)

Drection	Pin no.	Screw-terminal	CCITT V.24 Circuit no.	Description
I	3	8	103	TD/Transmitted Data
O	2	7	104	RD/Received Data
I	7	6	105	RTS/Request To Send
O	8	5	106	CTS/Clear To Send
O	6	2	107	DSR/Data Set Ready
-	5	9 & 1	102	SG/Signal Ground
O	1	4	109	DCD/Data Carrier Detect
I	4	3	108/2	DTR/Data Terminal Ready

I = Input O = Output on MD-42

Line connection



1) If shielded cable is used, connect the shield only at one end to avoid ground currents.

Transmission range (interface 2)

Use twisted pair cable. Max transmission range 1200 m. (cable specifications 0.3 mm² and capacitance 42pF/m). The transmission range will increase if a cable with lower capacitance and larger diameter is used. Use shielded cable in heavy industrial environments.

MD-42 DC

Specifications

Power supply	12–36V DC
Power consumption	Max 2.3W
Insulation	500V
Fuse FI	1.6A fast 5x20 mm

All other specifications according to MD-42 AC

Switch settings

According to MD-42 AC

Connections

According to MD-42 AC, except power supply

Connection no.	Power Supply
1	– Voltage
2	+ Voltage

Hints

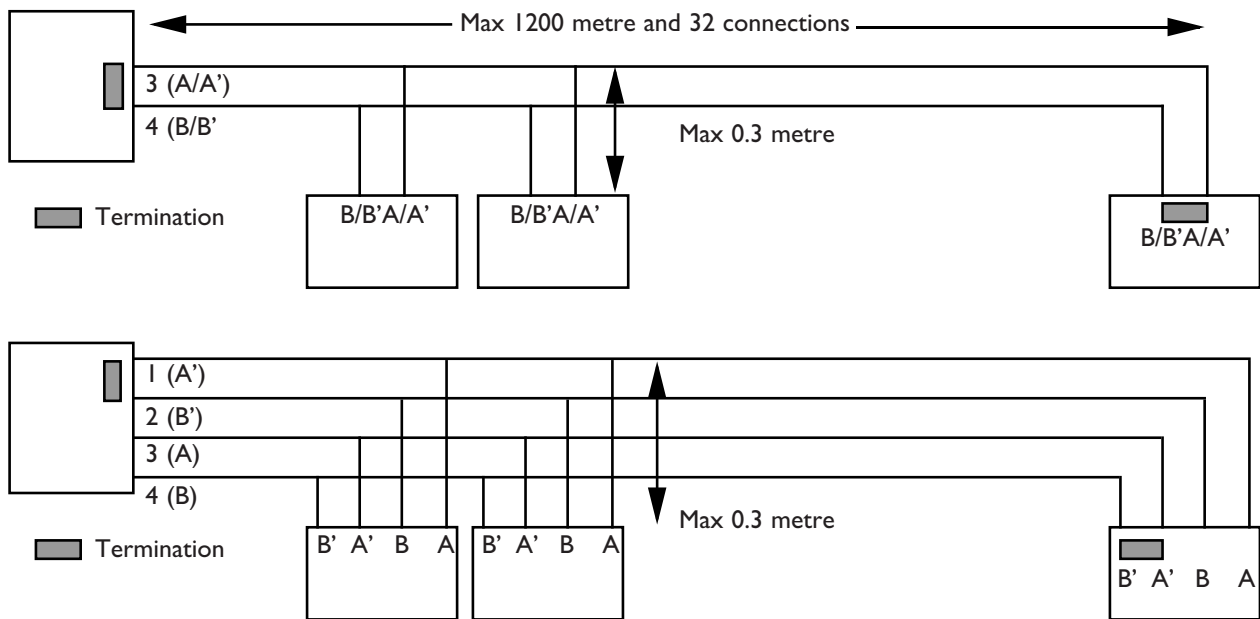
RS-422/485 was designed for multidrop applications. When a system is installed it should form a bus structure (see diagrams). Star shaped networks should never be created, there are other Westermo products designed to work in star net applications.

To correctly install, an RS-422/485 network should be terminated at the correct points. The recommendation is to terminate the receiver on the master unit and the final bus slave unit. See diagrams for details of how this is done with RS-485 (2-wire) and RS-422 (4-wire).

On 4-wire systems when the MD-42 is on a slave system, it's transmitter is linked to the same bus as all the other slave transmitters. A status signal RTS or DTR is used to control the MD-42's transmitter, to ensure only one slave is active on the bus at one time. The status signal is also used to control direction for RS-485 (2 wire) transmission.

If any problems do occur on set up of the MD-42, the LED's will be helpful.

- PWR: The unit has power.
- RD: Data received on the RS-422/485 interface.
- DCD: Simulated carrier due to the setting of S2.
- CTS: Follows RTS.
- RTS: Indicates that the RS-422/485 transmitter is activated.
- TD: Data received on the RS-232/V.24 interface.

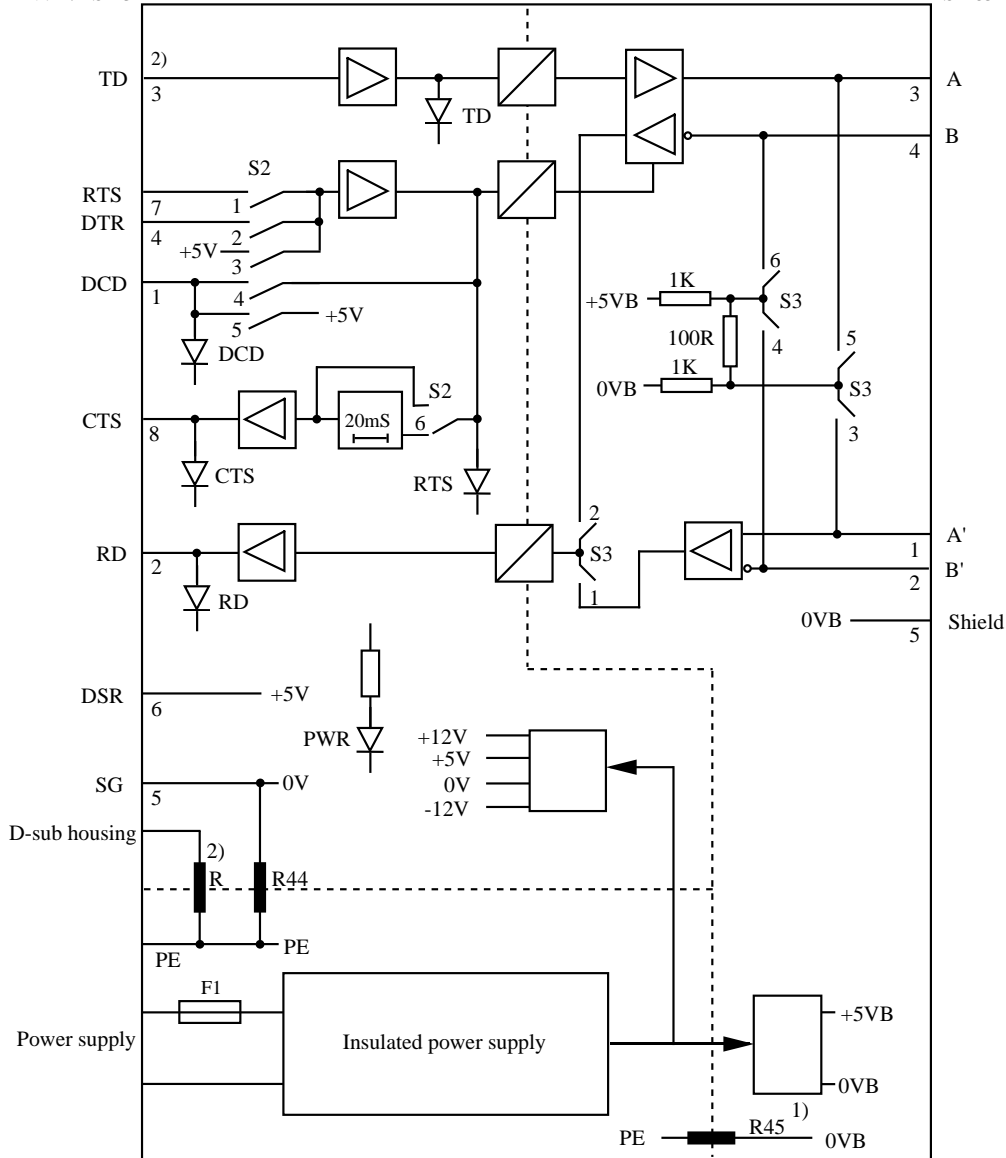


N.B. R+/R-, T+/T- definitions are not standard, it can help to shift A and B if the unit does not work.

Block diagram

V.24/RS-232

V.11/RS-422
RS-485



- 1) 0 Ω resistor R45 is normally not mounted.
 2) Metal housing on D-sub is connected to PE if R is mounted. R = R3 on DC-model (normally mounted), R = R1 on AC-mod (normally not mounted).

Westermo Teleindustri AB have distributors in several countries, contact us for further information.



Westermo Teleindustri AB • S-640 40 Stora Sundby, Sweden
 Phone +46 16 612 00 Fax +46 16 611 80

E-mail: info@westermo.se • Westermo Web site: www.westermo.se

Subsidiaries

Westermo Data Communications Ltd
 Solent Business Centre • Millbrook Road West
 Millbrook, Southampton • SO15 0HW
 Phone: +44(0)2380 704 611 • Fax: +44(0)2380 702 682
 E-Mail: sales@westermo.co.uk

Westermo Data Communications GmbH
 Bruchsaler Straße 18, 68753 Waghäusel
 Tel.: +49(0)7254-95400-0 • Fax: +49(0)7254-95400-9
 E-Mail: westermo.germany@t-online.de



Artisan Technology Group is your source for quality new and certified-used/pre-owned equipment

- FAST SHIPPING AND DELIVERY
- TENS OF THOUSANDS OF IN-STOCK ITEMS
- EQUIPMENT DEMOS
- HUNDREDS OF MANUFACTURERS SUPPORTED
- LEASING/MONTHLY RENTALS
- ITAR CERTIFIED SECURE ASSET SOLUTIONS

SERVICE CENTER REPAIRS

Experienced engineers and technicians on staff at our full-service, in-house repair center

*InstraView*SM REMOTE INSPECTION

Remotely inspect equipment before purchasing with our interactive website at www.instraview.com ↗

WE BUY USED EQUIPMENT

Sell your excess, underutilized, and idle used equipment. We also offer credit for buy-backs and trade-ins. www.artisanng.com/WeBuyEquipment ↗

LOOKING FOR MORE INFORMATION?

Visit us on the web at www.artisanng.com ↗ for more information on price quotations, drivers, technical specifications, manuals, and documentation

Contact us: (888) 88-SOURCE | sales@artisanng.com | www.artisanng.com