



Artisan Technology Group is your source for quality new and certified-used/pre-owned equipment

- FAST SHIPPING AND DELIVERY
- TENS OF THOUSANDS OF IN-STOCK ITEMS
- EQUIPMENT DEMOS
- HUNDREDS OF MANUFACTURERS SUPPORTED
- LEASING/MONTHLY RENTALS
- ITAR CERTIFIED SECURE ASSET SOLUTIONS

SERVICE CENTER REPAIRS

Experienced engineers and technicians on staff at our full-service, in-house repair center

*InstraView*SM REMOTE INSPECTION

Remotely inspect equipment before purchasing with our interactive website at www.instraview.com ↗

WE BUY USED EQUIPMENT

Sell your excess, underutilized, and idle used equipment. We also offer credit for buy-backs and trade-ins. www.artisanng.com/WeBuyEquipment ↗

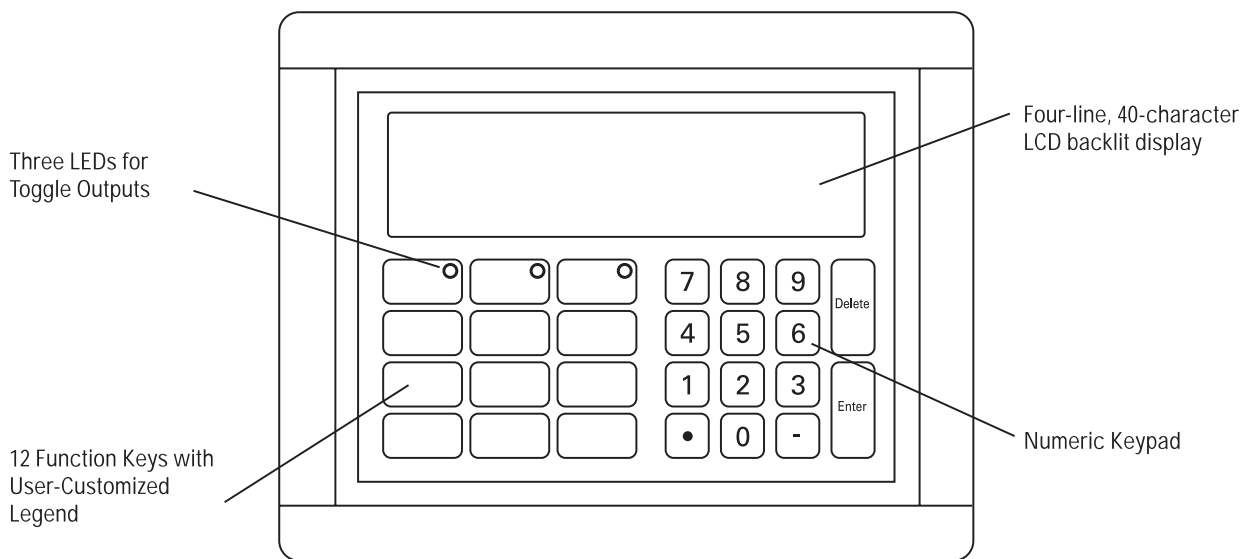
LOOKING FOR MORE INFORMATION?

Visit us on the web at www.artisanng.com ↗ for more information on price quotations, drivers, technical specifications, manuals, and documentation

Contact us: (888) 88-SOURCE | sales@artisanng.com | www.artisanng.com

Operator Interface Panel

GE Fanuc offers an optional operator interface OIP-DSP1-C for use with the S2K Series Controllers.



The Operator Interface Panel (OIP) communicates with the S2K via the unit's serial port. It is possible to power the Operator Interface from the +12 VDC supply available on the S2K unit.

The serial port can also be used to interface the S2K with third party man-machine interfaces. In this case, access to the serial port

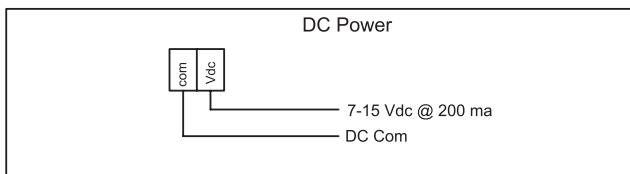
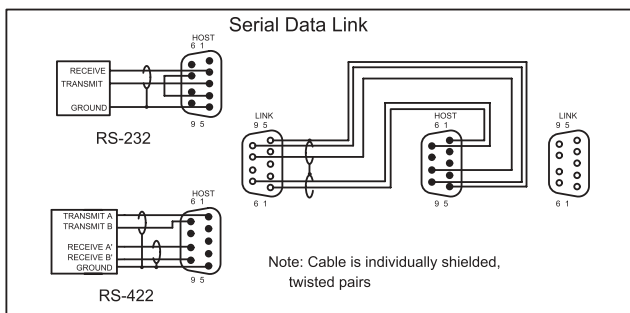
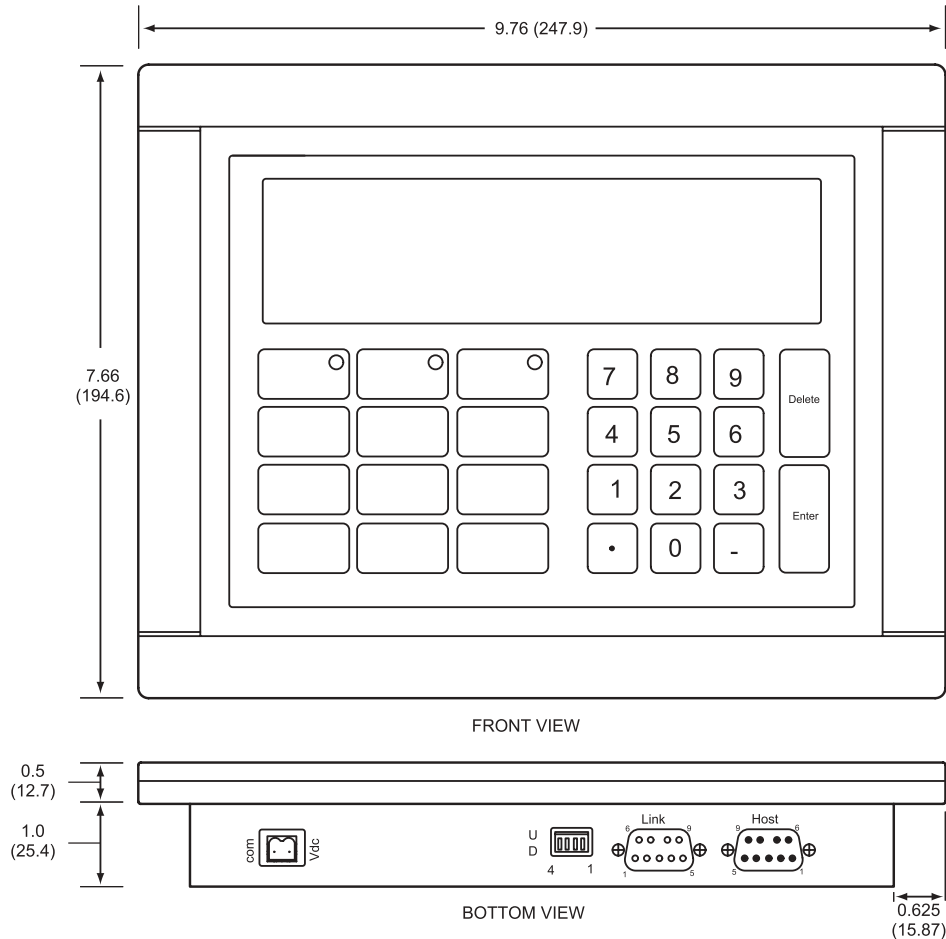
for standard programming functions will not be possible. An ASCII communication protocol is typically used to interface with third party man-machine interfaces. The S2K Controller provides string variables to simplify interface with such devices.

OIP Ordering Information

Part Number	Description
OIP-DSP1-C	Operator Interface Panel
CBL-01JR-06-RA	Serial Cable, S2K to Operator Interface Panel, 6 feet
CBL-01JR-12-RA	Serial Cable, S2K to Operator Interface Panel, 12 feet

OIP-DSP1-C

Connection and Dimensions



DIP Switch Positions

serial baud rate	1	2
1200	U U	
9600	D U	
19200	U D	
38400	D D	

Notes:
 1. Must turn off power before changing settings.
 U= up (closed)
 D= down (open)
 2. Switches 3 and 4 are reserved



Artisan Technology Group is your source for quality new and certified-used/pre-owned equipment

- FAST SHIPPING AND DELIVERY
- TENS OF THOUSANDS OF IN-STOCK ITEMS
- EQUIPMENT DEMOS
- HUNDREDS OF MANUFACTURERS SUPPORTED
- LEASING/MONTHLY RENTALS
- ITAR CERTIFIED SECURE ASSET SOLUTIONS

SERVICE CENTER REPAIRS

Experienced engineers and technicians on staff at our full-service, in-house repair center

*InstraView*SM REMOTE INSPECTION

Remotely inspect equipment before purchasing with our interactive website at www.instraview.com ↗

WE BUY USED EQUIPMENT

Sell your excess, underutilized, and idle used equipment. We also offer credit for buy-backs and trade-ins. www.artisanng.com/WeBuyEquipment ↗

LOOKING FOR MORE INFORMATION?

Visit us on the web at www.artisanng.com ↗ for more information on price quotations, drivers, technical specifications, manuals, and documentation

Contact us: (888) 88-SOURCE | sales@artisanng.com | www.artisanng.com