



Artisan Technology Group is your source for quality new and certified-used/pre-owned equipment

- FAST SHIPPING AND DELIVERY
- TENS OF THOUSANDS OF IN-STOCK ITEMS
- EQUIPMENT DEMOS
- HUNDREDS OF MANUFACTURERS SUPPORTED
- LEASING/MONTHLY RENTALS
- ITAR CERTIFIED SECURE ASSET SOLUTIONS

SERVICE CENTER REPAIRS

Experienced engineers and technicians on staff at our full-service, in-house repair center

*InstraView*SM REMOTE INSPECTION

Remotely inspect equipment before purchasing with our interactive website at www.instraview.com ↗

WE BUY USED EQUIPMENT

Sell your excess, underutilized, and idle used equipment. We also offer credit for buy-backs and trade-ins. www.artisanng.com/WeBuyEquipment ↗

LOOKING FOR MORE INFORMATION?

Visit us on the web at www.artisanng.com ↗ for more information on price quotations, drivers, technical specifications, manuals, and documentation

Contact us: (888) 88-SOURCE | sales@artisanng.com | www.artisanng.com

OPERATIONS MANUAL

PCM-COM4A

NOTE: *This manual has been designed and created for use as part of the WinSystems' Technical Manuals CD and/or the WinSystems' website. If this manual or any portion of the manual is downloaded, copied or emailed, the links to additional information (i.e. software, cable drawings) will be inoperable.*

WinSystems reserves the right to make changes in the circuitry
and specifications at any time without notice.

©Copyright 1996 by WinSystems. All Rights Reserved.

REVISION HISTORY

P/N 403-0237-000

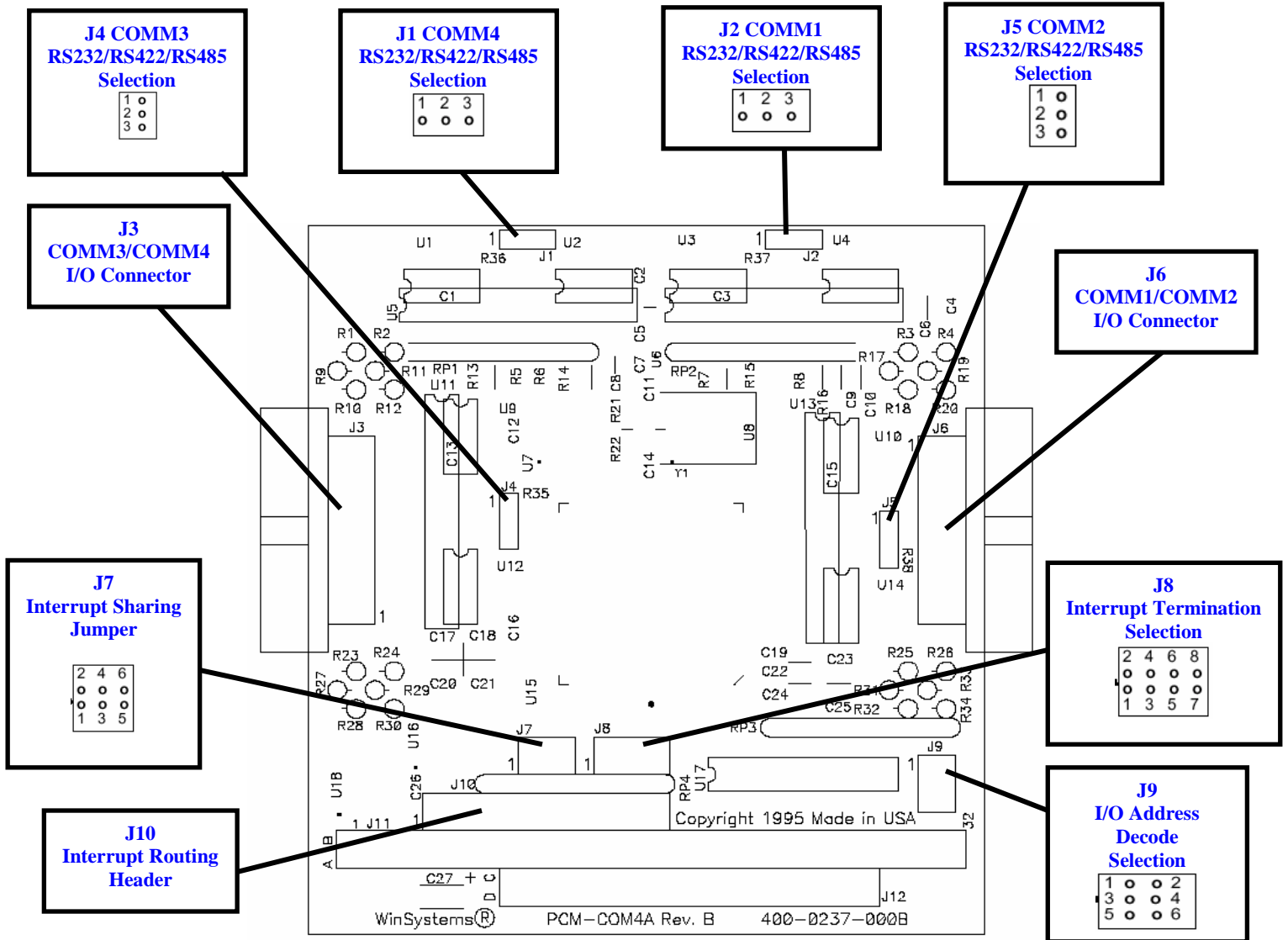
ECO Number	Date Code	Revision
ORIGINATED	960130	B
97-94	971014	B1

TABLE OF CONTENTS

Section	Paragraph Title	Page
	Visual Index – Quick Reference	i
1	General Information	1-1
1.1	Features	1-1
1.2	General Description	1-1
1.3	Specifications	1-2
2	PCM-COM4A Technical Reference	2-1
2.1	Introduction	2-1
2.2	I/O Map Selection	2-1
2.3	RS-232/RS-422/RS-485 Mode Selection	2-2
2.4	Interrupt Routing	2-6
2.5	Interrupt Termination	2-7
2.6	Interrupt Status Register	2-7
2.7	Connector/Jumper Summary	2-8
	APPENDIX A PCM-COM4A Connector Pinout	
	APPENDIX B Startech 16C554 Data Sheet Reprint, Cable Drawing, Software Examples	
	Warranty and Repair Information	

Visual Index – Quick Reference

For the convenience of the user, a copy of the Visual Index has been provided with direct links to connector and jumper configuration data.



1

GENERAL INFORMATION

1.1 FEATURES

- Quad 8250 Compatible UARTS
- Asynchronous Data rates to 115Kbps
- Optional RS-422/RS-485 usage on any or all channels
- I/O Mapping PLD for COM1 through COM26 selection
- Asynchronous data rates to 115Kbps
- +5 volt only operation
- Shared interrupt capable with interrupt ID register
- Software programmable FIFO up to 16 bytes deep

1.2 GENERAL DESCRIPTION

The LPM/MCM-COM4A is a 4 channel serial 8250 compatible PC/104 Module based on the Startech 16C554. It is ideally suited for applications that require exact PC compatible hardware to the register level. Each channel is factory configured for RS-232 usage. By installing optional line driver ICs each channel may be individually configured for RS-422, or RS-485 modes. Versatile interrupt routing allows for individual or shared interrupts. An interrupt status register allows easy identification of the interrupt source. Eight I/O mapping options allow for a total of up to 26 COM port addresses in a PC style system. The Startech 16C554 has a software programmable transmit and receive FIFO of up to 16 bytes in depth.

1.3 SPECIFICATIONS

1.3.1 Electrical

Bus Interface : PC/104 8-Bit / 16-Bit

VCC : +5v +/-5% @ 80 mA.

I/O Addressing: PLD Controlled I/O address uses 10 Bit address.
Each Channel requires 8 consecutive I/O ports.

1.3.2 Mechanical

Dimensions : 4.1" X 3.6" X 0.5"

PC BOARD : FR4 Epoxy glass, with 2 signal layers and 2 power planes with screened component legend, and plated through holes.

Jumpers : 0.025" square posts on 0.10" centers

Serial I/O Connectors : 20 pin 0.10" grid RN type IDH-20-LP

1.3.3 Environmental

Operating Temperature : -40° to 85° C

Non Condensing Humidity : 5% to 95%

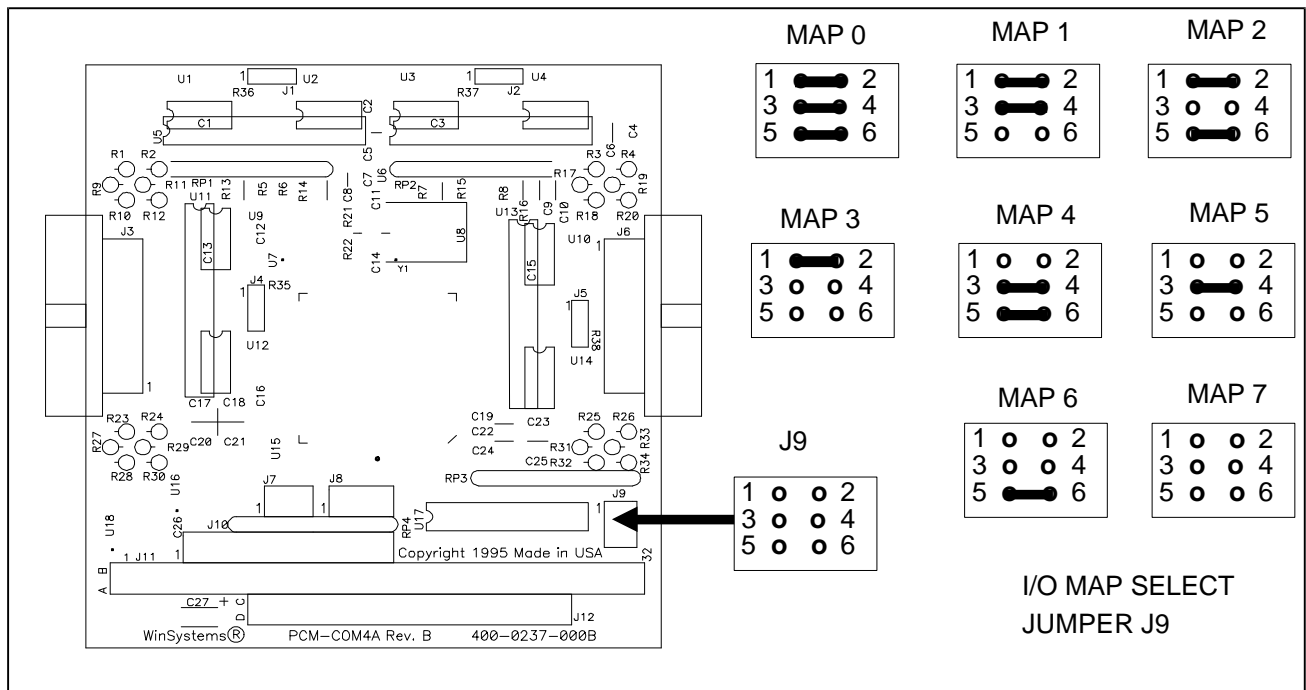
2

PCM-COM4A TECHNICAL REFERENCE

2.1 INTRODUCTION

This section of the manual provides the necessary information to configure the PCM-COM4A board for the desired mode of operation and to configure interrupt routing as desired. For programming and register details refer to APPENDIX C where the Startech 16C554 datasheet is reprinted in its entirety.

2.2 I/O MAP SELECTION

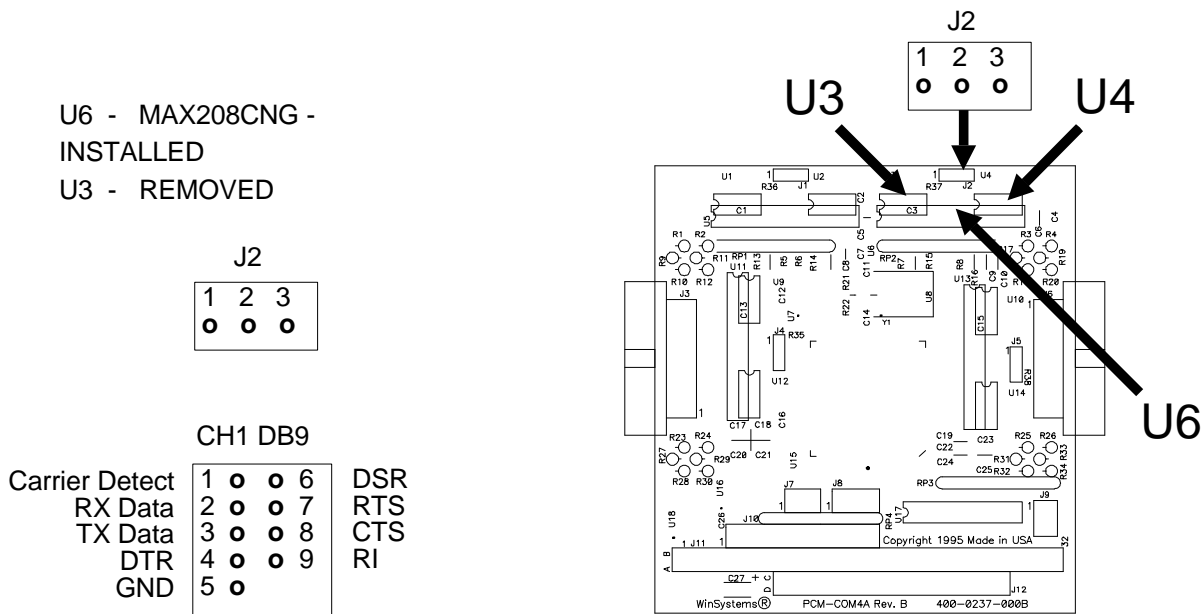


Map No	CH1	CH2	CH3	CH4	INT ID
0	3F8	2F8	3E8	2E8	220
1	3E8	2E8	3A8	2A8	220
2	380	388	288	230	224
3	Reserved				
4	100	108	110	118	240
5	120	128	130	138	244
6	140	148	150	158	248
7	160	168	170	178	24C

2.3 RS-232/RS-422/RS-485 Mode Selection

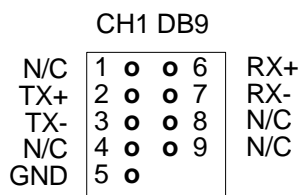
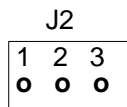
Each of the 4 serial channels may be configured independently for either RS-232, RS-422, or RS-485 signal levels. An optional "Chip Kit" Winsystems part number CK-75176-2 is necessary to allow configuration of a single channel for RS-422 use or up 2 channels of RS485 usage. If four channels of RS-422 use is desired, four CK-75176-2 Kits will be required. Configuration of each channel consists of installing and/or removing the appropriate line driver ICs and installing the required jumpers. Appropriate jumpering, chip installation and the output connector pin out is shown for each of the channels in each mode.

Channel 1 - I/O Connector J6



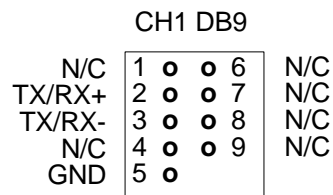
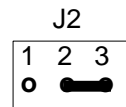
CHANNEL 1 RS-422 MODE

U6 - REMOVED
U3 - 75176 - INSTALLED
U4 - 75176 - INSTALLED



CHANNEL 1 RS-485 MODE

U6 - REMOVED
U3 - REMOVED
U4 - 75176 - INSTALLED



Channel 2 - I/O Connector J6

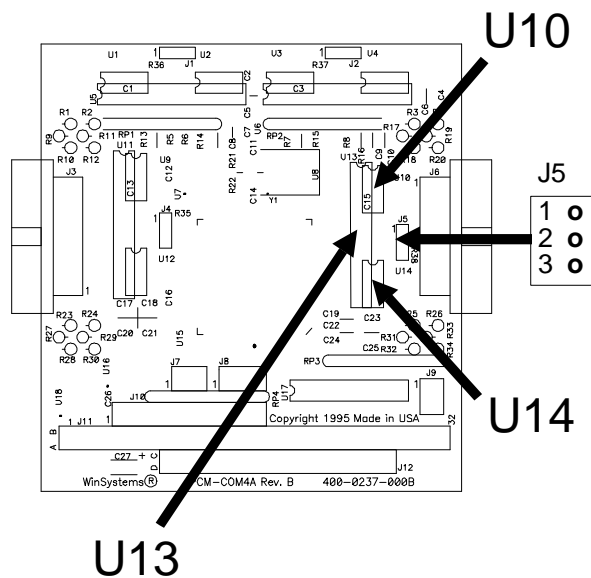
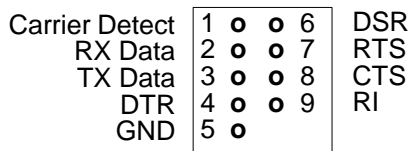
CHANNEL 2 RS-232 MODE

U13 - MAX208CNG - INSTALLED
 U10 - REMOVED
 U14 - REMOVED

J5



CH2 DB9



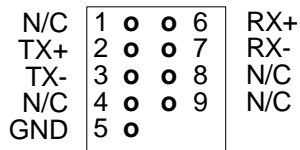
CHANNEL 2 RS-422 MODE

U13 - REMOVED
 U10 - 75176 - INSTALLED
 U14 - 75176 - INSTALLED

J5



CH2 DB9



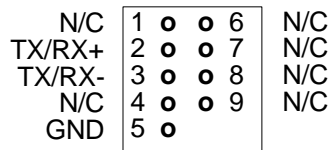
CHANNEL 2 RS-485 MODE

U13 - REMOVED
 U10 - REMOVED
 U14 - 75176 - INSTALLED

J5



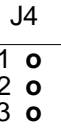
CH2 DB9



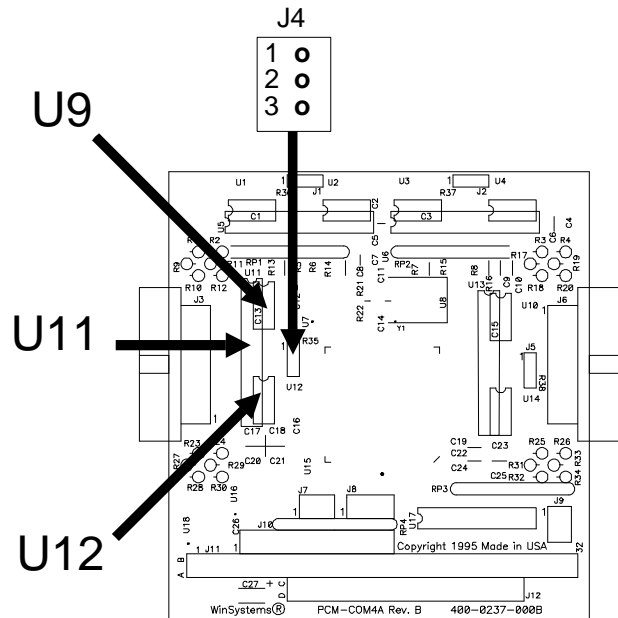
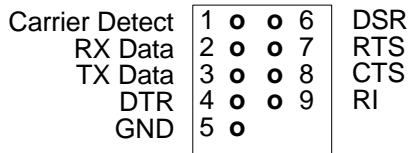
2.3.1 Channel 3 - I/O Connector J3

**CHANNEL 3
RS-232 MODE**

U11 - MAX208CNG - INSTALLED
U9 - REMOVED
U12 - REMOVED

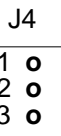


CH3 DB9

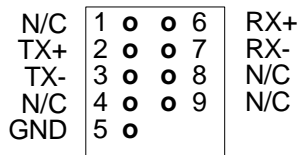


**CHANNEL 3
RS-422 MODE**

U11 - REMOVED
U9 - 75176 - INSTALLED
U12 - 75176 - INSTALLED



CH3 DB9



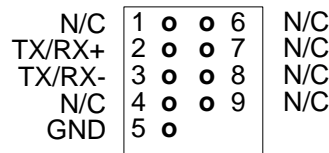
**CHANNEL 3
RS-485 MODE**

U11 - REMOVED
U9 - REMOVED
U12 - 75176 - INSTALLED

J4



CH3 DB9

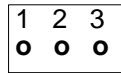


Channel 4 - I/O Connector J3

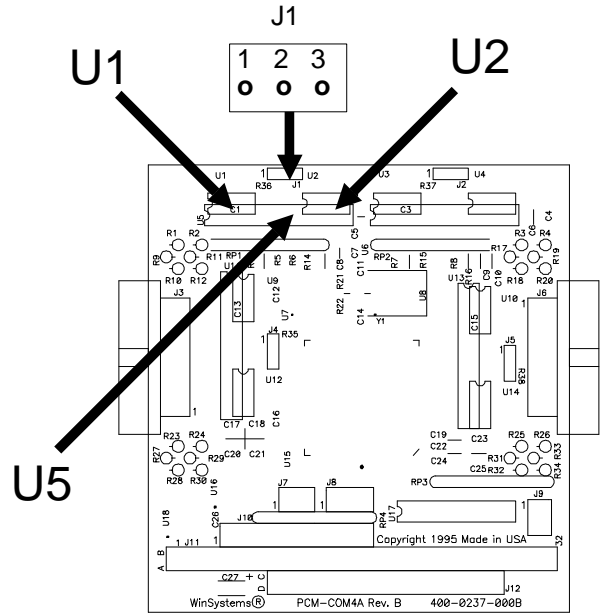
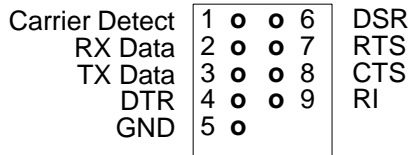
CHANNEL 4 RS-232 MODE

- U5 - MAX208CNG - INSTALLED
- U1 - REMOVED
- U2 - REMOVED

J1



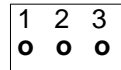
CH4 DB9



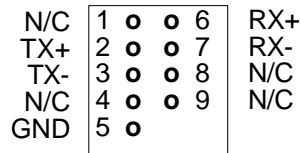
CHANNEL 4 RS-422 MODE

- U5 - REMOVED
- U1 - 75176 - INSTALLED
- U2 - 75176 - INSTALLED

J1



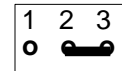
CH4 DB9



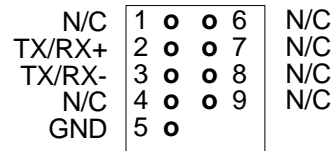
CHANNEL 4 RS-485 MODE

- U5 - REMOVED
- U1 - REMOVED
- U2 - 75176 - INSTALLED

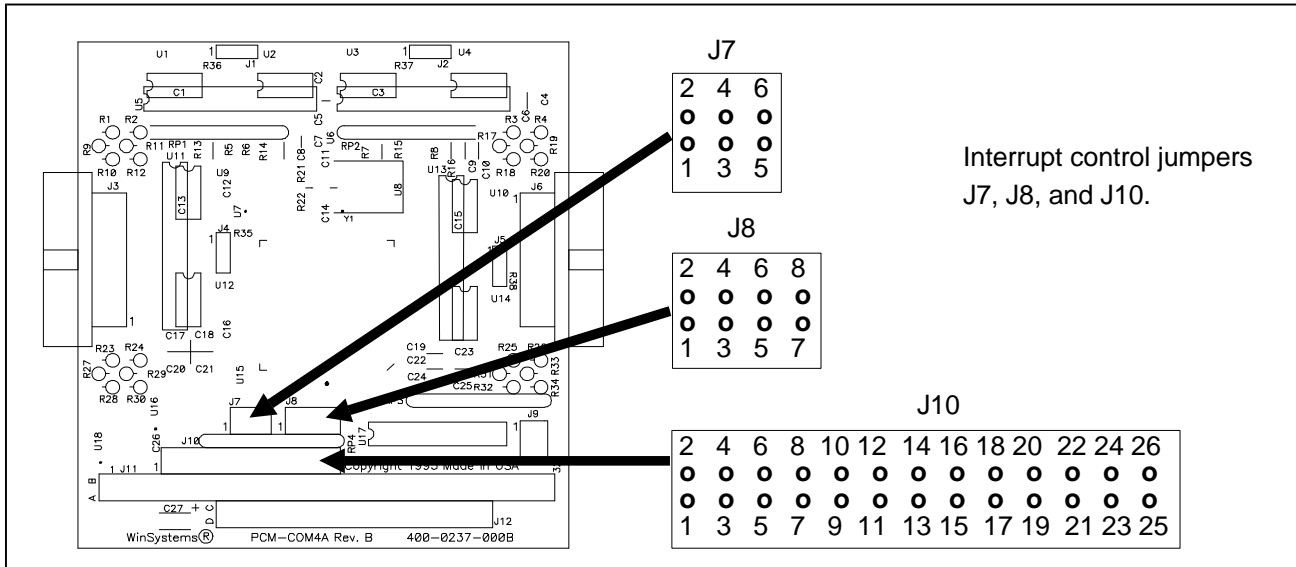
J1



CH4 DB9

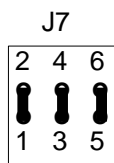


2.4 INTERRUPT ROUTING



2.4.1 Shared Interrupts

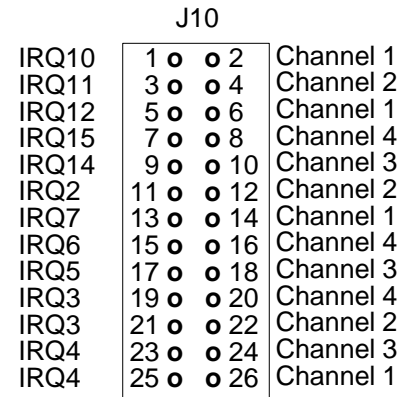
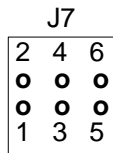
For shared interrupts on the PC/104 BUS, jumper J7 as shown below and select the PC/104 bus pin onto which the shared interrupt is routed by placing a single jumper on J10 straight across to the desired PC/104 pin. The interrupt ID register must then be read in the Interrupt Service Routine to determine which UART channel(s) requires service.



	J10		
IRQ10	1	2	Channel 1
IRQ11	3	4	Channel 2
IRQ12	5	6	Channel 1
IRQ15	7	8	Channel 4
IRQ14	9	10	Channel 3
IRQ2	11	12	Channel 2
IRQ7	13	14	Channel 1
IRQ6	15	16	Channel 4
IRQ5	17	18	Channel 3
IRQ3	19	20	Channel 4
IRQ3	21	22	Channel 2
IRQ4	23	24	Channel 3
IRQ4	25	26	Channel 1

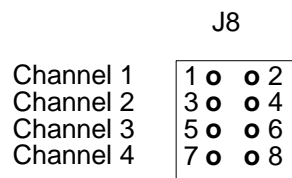
2.4.2 Individual Interrupts

For individual interrupts to the PC/104 bus, J7 should remain unjumpered as shown below and each interrupt source CH1-CH4 may be jumpered to the desired PC/104 bus pin. Wire-wrapping may be necessary for certain selections.



2.5 INTERRUPT TERMINATION

The PC/104 Bus does not terminate interrupt inputs. The unique design of PC compatible serial cards allows an interrupt output to be tri-stated (effectively disconnected) resulting in a floating interrupt line. To avoid the possibility of inadvertent spurious interrupts occurring due to this floating condition, a terminating pull-down resistor is necessary. Jumper block J8 provides this termination capability on a channel by channel basis. Note that when shared interrupts are used only one of the channels need be terminated. J8 is shown below :



2.6 INTERRUPT STATUS REGISTER

The PCM-COM4 board has an onboard interrupt identification register mapped at an I/O port dependent on the I/O map selected (See I/O Map Selection). This register is used primarily with shared interrupts to allow quick identification of the UART channel(s) needing service. The register is read-only and has the following bit definitions.

D7	D6	D5	D4	D3	D2	D1	D0
N/A	N/A	N/A	N/A	CH4	CH3	CH2	CH1

When read, the appropriate bit for the channel will read as a '1' if an interrupt is pending. Reading this register has NO effect on the interrupt. The interrupting condition must be cleared by appropriate handling of the UART. It is necessary when using shared interrupts for the ISR to determine that ALL interrupts have been cleared before exiting the service routine.

2.7 CONNECTOR/JUMPER SUMMARY

Connector	Purpose	Page Reference
J1	COMM4 RS232/RS422/RS485 Select	2-5
J2	COMM1 RS232/RS422/RS485 Select	2-2
J3	COMM3/COMM4 I/O Connector	2-4, 2-5
J4	COMM3 RS232/RS422/RS485 Select	2-4
J5	COMM2 RS232/RS422/RS485 Select	2-3
J6	COMM1/COMM2 I/O Connector	2-2, 2-3
J7	Interrupt Sharing Jumper	2-6
J8	Interrupt Termination Select	2-7
J9	I/O Address Decode Select	2-1
J10	Interrupt routing header	2-6
J11	PC/104 8-Bit Bus Connector	N/A
J12	PC/104 16-Bit Bus Connector	N/A

APPENDIX A

PCM-COM4A Connector Pinouts

PCM-COM4A I/O CONNECTOR PIN-OUTS

Channel	RS-232	RS422	RS-485	J6		Channel	RS-232	RS-422	RS-485
1	CD	N/C	N/C	1	2	1	DSR	RX+	TX/RX+
1	RX Data	TX+	TX/RX+	3	4	1	RTS	RX-	TX/RX-
1	TX Data	TX-	TX/RX-	5	6	1	CTS	N/C	N/C
1	DTR	N/C	N/C	7	8	1	RI	N/C	N/C
1	GND	GND	GND	9	10	-	N/C	N/C	N/C
2	CD	N/C	N/C	11	12	2	DSR	RX+	TX/RX+
2	RX Data	TX+	TX/RX+	13	14	2	RTS	RX-	TX/RX-
2	TX Data	TX-	TX/RX-	15	16	2	CTS	N/C	N/C
2	DTR	N/C	N/C	17	18	2	RI	N/C	N/C
2	GND	GND	GND	19	20	-	N/C	N/C	N/C

Channel	RS-232	RS422	RS-485	J3		Channel	RS-232	RS-422	RS-485
3	CD	N/C	N/C	1	2	3	DSR	RX+	TX/RX+
3	RX Data	TX+	TX/RX+	3	4	3	RTS	RX-	TX/RX-
3	TX Data	TX-	TX/RX-	5	6	3	CTS	N/C	N/C
3	DTR	N/C	N/C	7	8	3	RI	N/C	N/C
3	GND	GND	GND	9	10	-	N/C	N/C	N/C
4	CD	N/C	N/C	11	12	4	DSR	RX+	TX/RX+
4	RX Data	TX+	TX/RX+	13	14	4	RTS	RX-	TX/RX-
4	TX Data	TX-	TX/RX-	15	16	4	CTS	N/C	N/C
4	DTR	N/C	N/C	17	18	4	RI	N/C	N/C
4	GND	GND	GND	19	20	-	N/C	N/C	N/C

APPENDIX B

Startech Datasheet Reprint

Datasheet for Startech 16C554 – universal asynchronous receiver	Startech16C554.pdf
---	------------------------------------

Cable Drawings

Part Number	Description
CBL-173-1	20-pin ribbon to two male 9-pin "D" connector adapter cable

Software Examples

Windows NT/2000/XP Registry changes for using shared interrupts with PCM-COM4A and PCM-COM8	NTCOM4Example.pdf
Using Shared Interrupts with Linux	linux_com4_shared.pdf
Simple C routine that uses receive interrupt	8250INTA.ZIP



Telephone: 817-274-7553 . . Fax: 817-548-1358
<http://www.winsystems.com> . . E-mail: info@winsystems.com

WARRANTY

WinSystems warrants that for a period of two (2) years from the date of shipment any Products and Software purchased or licensed hereunder which have been developed or manufactured by WinSystems shall be free of any material defects and shall perform substantially in accordance with WinSystems' specifications therefore. With respect to any Products or Software purchased or licensed hereunder which have been developed or manufactured by others, WinSystems shall transfer and assign to Customer any warranty of such manufacturer or developer held by WinSystems, provided that the warranty, if any, may be assigned. The sole obligation of WinSystems for any breach of warranty contained herein shall be, at its option, either (i) to repair or replace at its expense any materially defective Products or Software, or (ii) to take back such Products and Software and refund the Customer the purchase price and any license fees paid for the same. Customer shall pay all freight, duty, broker's fees, insurance changes and other fees and charges for the return of any Products or Software to WinSystems under this warranty. WinSystems shall pay freight and insurance charges for any repaired or replaced Products or Software thereafter delivered to Customer within the United States. All fees and costs for shipment outside of the United States shall be paid by Customer. The foregoing warranty shall not apply to any Products or Software which have been subject to abuse, misuse, vandalism, accidents, alteration, neglect, unauthorized repair or improper installations.

THERE ARE NO WARRANTIES BY WINSYSTEMS EXCEPT AS STATED HEREIN. THERE ARE NO OTHER WARRANTIES EXPRESS OR IMPLIED INCLUDING, BUT NOT LIMITED TO, THE IMPLIED WARRANTIES OF MERCHANTABILITY AND FITNESS FOR A PARTICULAR PURPOSE, IN NO EVENT SHALL WINSYSTEMS BE LIABLE FOR CONSEQUENTIAL, INCIDENTAL, OR SPECIAL DAMAGES INCLUDING, BUT NOT LIMITED TO, DAMAGES FOR LOSS OF DATA, PROFITS OR GOODWILL. WINSYSTEMS' MAXIMUM LIABILITY FOR ANY BREACH OF THIS AGREEMENT OR OTHER CLAIM RELATED TO ANY PRODUCTS, SOFTWARE, OR THE SUBJECT MATTER HEREOF, SHALL NOT EXCEED THE PURCHASE PRICE OR LICENSE FEE PAID BY CUSTOMER TO WINSYSTEMS FOR THE PRODUCTS OR SOFTWARE OR PORTION THEREOF TO WHICH SUCH BREACH OR CLAIM PERTAINS.

WARRANTY SERVICE

All products returned to WinSystems must be assigned a Return Material Authorization (RMA) number. To obtain this number, please call or FAX WinSystems' factory in Arlington, Texas and provide the following information:

1. Description and quantity of the product(s) to be returned including its serial number.
2. Reason for the return.
3. Invoice number and date of purchase (if available), and original purchase order number.
4. Name, address, telephone and FAX number of the person making the request.
5. Do not debit WinSystems for the repair. WinSystems does not authorize debits.

After the RMA number is issued, please return the products promptly. Make sure the RMA number is visible on the outside of the shipping package.

The customer must send the product freight prepaid and insured. The product must be enclosed in an anti-static bag to protect it from damage caused by static electricity. Each bag must be completely sealed. Packing material must separate each unit returned and placed as a cushion between the unit(s) and the sides and top of the shipping container. WinSystems is not responsible for any damage to the product due to inadequate packaging or static electricity.



Artisan Technology Group is your source for quality new and certified-used/pre-owned equipment

- FAST SHIPPING AND DELIVERY
- TENS OF THOUSANDS OF IN-STOCK ITEMS
- EQUIPMENT DEMOS
- HUNDREDS OF MANUFACTURERS SUPPORTED
- LEASING/MONTHLY RENTALS
- ITAR CERTIFIED SECURE ASSET SOLUTIONS

SERVICE CENTER REPAIRS

Experienced engineers and technicians on staff at our full-service, in-house repair center

*InstraView*SM REMOTE INSPECTION

Remotely inspect equipment before purchasing with our interactive website at www.instraview.com ↗

WE BUY USED EQUIPMENT

Sell your excess, underutilized, and idle used equipment. We also offer credit for buy-backs and trade-ins. www.artisanng.com/WeBuyEquipment ↗

LOOKING FOR MORE INFORMATION?

Visit us on the web at www.artisanng.com ↗ for more information on price quotations, drivers, technical specifications, manuals, and documentation

Contact us: (888) 88-SOURCE | sales@artisanng.com | www.artisanng.com