



Artisan Technology Group is your source for quality new and certified-used/pre-owned equipment

- FAST SHIPPING AND DELIVERY
- TENS OF THOUSANDS OF IN-STOCK ITEMS
- EQUIPMENT DEMOS
- HUNDREDS OF MANUFACTURERS SUPPORTED
- LEASING/MONTHLY RENTALS
- ITAR CERTIFIED SECURE ASSET SOLUTIONS

SERVICE CENTER REPAIRS

Experienced engineers and technicians on staff at our full-service, in-house repair center

*InstraView*SM REMOTE INSPECTION

Remotely inspect equipment before purchasing with our interactive website at www.instraview.com ↗

WE BUY USED EQUIPMENT

Sell your excess, underutilized, and idle used equipment. We also offer credit for buy-backs and trade-ins. www.artisanng.com/WeBuyEquipment ↗

LOOKING FOR MORE INFORMATION?

Visit us on the web at www.artisanng.com ↗ for more information on price quotations, drivers, technical specifications, manuals, and documentation

Contact us: (888) 88-SOURCE | sales@artisanng.com | www.artisanng.com

XVME-6200

Single-Slot VMEbus
Intel® Core® 2 Duo and Core® Duo Processor Module

User Manual

<i>Revision</i>	<i>Description</i>	<i>Date</i>
A	Init	11/07
B	Updates	06/08

Part Number 746200

Trademark Information

Brand or product names are trademarks or registered trademarks of their respective owners. Intel and Pentium are registered trademarks and Celeron is a trademark of Intel Corporation. Windows, Windows 2000 and Windows XP are registered trademarks of Microsoft Corporation in the US and in other countries.

Copyright Information

This document is copyrighted by Xembedded, Incorporated (Xembedded) and shall not be reproduced or copied without expressed written authorization from Xembedded. The information contained within this document is subject to change without notice. Xembedded does not guarantee the accuracy of the information.

WARNING

This is a Class A product. In a domestic environment this product may cause radio interference, in which case the user may be required to take adequate measures.

Warning for European Users – Electromagnetic Compatibility

European Union Directive 89/336/EEC requires that this apparatus comply with relevant ITE EMC standards. EMC compliance demands that this apparatus is installed within a VME enclosure designed to contain electromagnetic radiation and which will provide protection for the apparatus with regard to electromagnetic immunity. This enclosure must be fully shielded. An example of such an enclosure is a Schroff 7U EMC-RFI VME System chassis, which includes a front cover to complete the enclosure.

The connection of non-shielded equipment interface cables to this equipment will invalidate European Free Trade Area (EFTA) EMC compliance and may result in electromagnetic interference and/or susceptibility levels that are in violation of regulations which apply to the legal operation of this device. It is the responsibility of the system integrator and/or user to apply the following directions, as well as those in the user manual, which relate to installation and configuration:

All interface cables should be shielded, both inside and outside of the VME enclosure. Braid/foil type shields are recommended for serial, parallel, and SCSI interface cables. Where as external mouse cables are not generally shielded, an internal mouse interface cable must either be shielded or looped (1 turn) through a ferrite bead at the enclosure point of exit (bulkhead connector). External cable connectors must be metal with metal back-shells and provide 360-degree protection about the interface wires. The cable shield must be terminated directly to the metal connector shell; shield ground drain wires alone are not adequate. VME panel mount connectors that provide interface to external cables (e.g.,

RS232, USB, keyboard, mouse, etc.) must have metal housings and provide direct connection to the metal VME chassis. Connector ground drain wires are not adequate.

Environmental Protection Statement

This product has been manufactured to satisfy environmental protection requirements where possible. Many of the components used (structural parts, printed circuit boards, connectors, batteries, etc.) are capable of being recycled.

Final disposition of this product after its service life must be accomplished in accordance with applicable country, state, or local laws or regulations.

Table of Contents

XVME-6200	i
Table of Contents	v
Table of Figures	vii
Chapter 1 – Introduction	1-1
Module Features	1-1
Architecture	1-2
XVME-6200 Memory Map	1-4
XVME-6200 I/O Map	1-5
Interrupt Usage	1-6
Software Support	1-10
Operational Description	1-10
Environmental Specifications	1-11
Hardware Specifications	1-12
VMEbus Specification	1-13
System Configuration and Expansion Options Tables	1-13
Chapter 2 – Installation and Setup	2-1
Jumper and Switch Settings	2-2
Jumper and Switch Settings	2-3
Registers	2-4
Front Panel Layout	2-6
Connectors	2-7
COM1 and COM3 (J4) Pin Definitions	2-11
Figure 2-11 RJ-45 Serial Port Connector	2-11
VMEbus P2 Connector	2-14
Table 2-17 VMEbus P2 Connector	2-15
Installing the XVME-6200 into a Backplane	2-19
Enabling the PCI Ethernet Controller	2-20
Chapter 3 BIOS Setup Menus	3-1
Chapter 4 Programming	4-1
Memory Map	4-1
I/O Map	4-1
IRQ Map	4-3
PCI Device Map	4-4
VME Interface	4-5
Software-Selectable Byte-Swapping Hardware	4-7
Chapter 5 XVME-990 Rear Transition Module	5-1
Connectors	5-2
Serial ATA hard drive Interface	5-3

Appendix A	1
Memory Type	1
Installing SDRAM	1
Module Battery Installation.....	1
Index.....	2

Table of Figures

Figure 1-1 XVME-6200 Block Diagram.....	1-10
Figure 4-1 Byte Ordering Schemes.....	4-8
Figure 4-2 Address-Invariant Translation	4-8
Figure 4-3 Maintaining Numeric Consistency.....	4-9
Figure 4-4 Maintaining Address Consistency.....	4-10
Figure 5-1 XVME-990/X Installation (XVME-990-001 shown)	5-1

Chapter 1 – Introduction

The XVME-6200 VMEbus Intel® Core2™ Duo and Core Duo PC-compatible VMEbus processor module combines the high performance and ruggedized packaging of the VMEbus with the broad application software base of the IBM PC/AT standard. It integrates the latest processor and chipset technology. The only difference between the various versions of the XVME-6200 is the CPU used. The L7400 is the lowest power draw of any of our processors while maintaining a very high level of processing power. The T7400 offers the highest performance.

Module Features

The XVME-6200 offers the following features:

- Intel® Core2™ Duo Processor. All processor models can be configured with 1GB to 8GB SDRAM (show as total memory on board).
- Level 2 cache on Intel® Core2™ Duo is 4MB (T7400 and L7400).
- Video controller with 4MB of VRAM. (Silicon Motion 722)
- Enhanced IDE controller, capable of driving two EIDE devices on P2 (Compatible with XVME-977 Hard drive/Floppy drive unit and XVME-979 Hard Drive/DVD-CDROM drive unit)
- Two channels of SATA-150 out P2. Use the XVME-990 to provide the connectors needed to connect external SATA drives.
- Floppy disk controller, capable of driving one floppy drive on P2 (Compatible with XVME-977 Hard drive/Floppy drive unit or XVME-979 CD-ROM/DVD drive and Hard Drive with external drive)
- Dual 10/100/1000 Base T Ethernet controllers with front panel RJ-45 connectors with isolated ground or selectable out the P0 to support rear Ethernet or Vita 31.1.
- Type I/II Compact Flash site using our XVME-912 optional carrier. This mounts in the PMC site and does not allow for a PMC module to be used.
- On-Board Hard Drive using our XVME-913 1.8” hard drive. This mounts in the PMC site and does not allow for a PMC module to be used.
- VME64X VMEbus interface with programmable hardware byte swapping
- Support for Vita 31.1 Switch Fabric in complaint back planes
- Three serial ports:
 - One RS-232 serial port on front panel (Com 1) with electrical isolation (Com port 1 can be configured for RS-232/422/485)
 - One RS-232 serial port (Com 2) on P2 (use our XVME-990 to access)
- Four Universal Serial Bus (USB 2.0) ports 1 and 2 on front and 3 and 4 out P2. (use our XVME-990 to access)
- EPP/ECP configurable parallel port (P2) on 26-pin header on the XVME-990
- Combined PS/2 compatible keyboard/mouse port on front panel. Use USB for rear keyboard/mouse.
- PCI 80-pin Expansion Connectors (NOT Compatible with XVME-976-01 thru XMVE-976-205 Carriers) must use the XVME-9076.
- PMC (PCI Mezzanine Card) site with front panel I/O 32/64-bit 33/66MHz with rear I/O using optional P0 connector. This site is on the internal PCI-X bus.
- Front panel ABORT/RESET switch with indicating lights. Red for “fail” and green for “pass”

- Electrical isolation and noise immunity on the Ethernet ports, Serial Port, and PMC site.
- Ejector type handles in IEEE 1101.10 (Compact PCI type) or IEEE 1101.1 (legacy VME type).
- VME64 VMEbus interface with programmable hardware byte swapping

Architecture

CPU Chip

The Intel® Core2™ Duo processors have a new micro-architecture, but remains software compatible with previous members of the Intel microprocessor family. The Intel® Core2™ Duo has a 4MB L2 cache which boosts performance. The two cores can run independent processes, potentially doubling performance. With a junction temperature range of 0 to 100C, the Intel® Core2™ Duo processors are capable of with standing a great deal of thermal stress. The 17 watt L7400 Intel® Core2™ Duo 1.5Ghz processors provide low power options and T7400 Intel® Core2™ Duo 2.16GHz processor provide higher performance options.

PCI Local Bus Interface

The Intel E7520 / 6300ESB chipset supports the Intel® Core2™ Duo processors with up to 400MHz front side bus. The XVME-6200 incorporates one PCIe and PCI-X buses which is used to service the two Intel 82546EB Ethernet controllers and the on-board PMC site. The PMC site supports both 32-bit/33MHz and 64-bit/66MHz bus speeds with 5V I/O support. The XVME-6200 supports on PCI bus for 32-bit/33MHz operation, this bus services the PCI to VME bridge chip known as the tundra Universe II chip and the 80-pin expansion connector used to connect the XVME-9076 and XVME-976-210 Dual PMC carrier modules. These carrier modules can be “stacked” to allow for up to five (5) PMC sites on one XVME-6200.

PCI-X, or PCI extended, is an enhanced version of PCI (Peripheral Component Interconnect) computer bus. Although PCI-X is backward-compatible with traditional 3.3V PCI 2.0 devices and systems, this specification implements additional features and performance improvements include 3.3V signaling, increased speed grades, and adaptation to other form factors. PCI-X effectively doubles the speed and amount of data exchanged between the computer processor and peripherals. PCI-X bus was designed for and is ideally suited for server cards such as Fibre Channel, RAID, high-speed networking, and other demanding devices.

Onboard Memory

SDRAM Memory

The XVME-6200 is configured with “dual channel” memory, each CPU core has it’s own path to the memory modules. The two memory sockets are 200-pin SODIMM, providing 512MB, 1GB, 2GB and 4GB of ECC DDR 466MHz SDRAM. Approved SDRAM suppliers are listed in 0.

Flash BIOS

The XVME-6200 system BIOS is contained in a 1MB flash device to facilitate system BIOS updates. Contact Xembedded support for available updates at support@xembedded.com if needed. Be sure to record your current version number and the reason for the request.

Video Controller

The Silicon Graphics 722 graphics controller has a built-in 2D/3D. The maximum video modes supported are listed in the following table. The highest supported interlaced monitor mode is 1280x1024, 16-bit/65k color, and 43 Hz.

Video output is available on the front panel through a standard 15-pin D shell connector. The 722 graphics controller uses up to 128MB of on-board video memory. The SG 722 has a built-in 3D graphics engine and its display / render core frequency is up to 200MHz.

Table 1-1 Maximum Video Modes Supported Resolution	Bit Depth/Colors	Vertical Refresh
640x480	24-bit/16M color	100 Hz
800x600	24-bit/16M color	100 Hz
1024x768	24-bit/16M color	100 Hz
1280x1024	24-bit/16M color	75 Hz
1600x1200	16-bit/65k color	60 Hz

Ethernet Controller

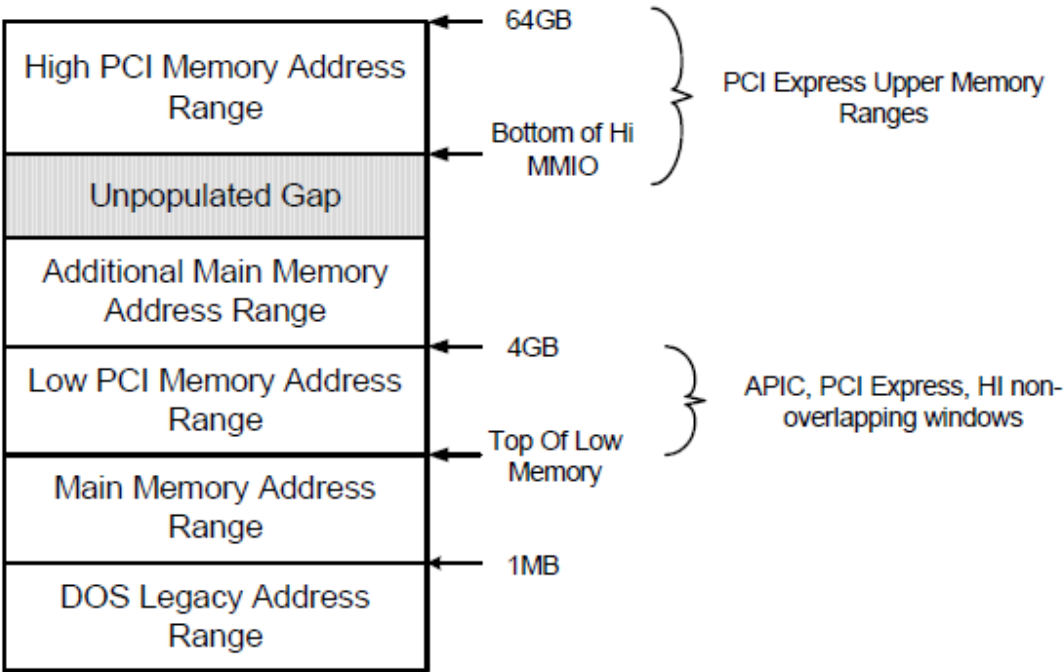
The 82571EB dual Giga-bit Ethernet controller provides a pair of 10/100/1000baseT Ethernet interfaces. The 82571EB contains both the MAC and the physical layer. The RJ-45 connectors on the module's front panel provide auto-sensing for 10Base-T, 100Base and 1000Base -TX connections. Each RJ-45 connector has two indicator lights. When mounted vertically, the top light is the link/activity light and the bottom light (the one closer to the COM ports) is the 10Base-T/100Base-TX indicator. When it is off, the connection is 10Base-T; when it is on, the connection is 100Base-TX. When the Ethernet is switched to the rear optional P0 no lights are available to indicate link or speed. The use of the XVME-990 is required to connect RJ-45 cables to the rear of the XVME-6200 processor boards.

Memory Layout

Basic Memory Regions

There are five basic regions of memory in the system: memory below 1 MB, memory between 1 MB and the Top of Low Memory (TOLM) register memory between the TOLM register and 4 GB, memory above 4 GB, and the high PCI memory range between the top of main memory and 64 GB. The high PCI memory range is added with the MCH, and was not available in previous generations of Intel Architecture 32-bit MCHs.

Note that the DRAM that physically overlaps the low PCI Memory Address Range (between TOLM and the 4-GB boundary) may be recovered for use by the system. For example, if there is 4 GB of physical DRAM and 1 GB of PCI space, then the system can address a total of 5 GB. In this instance the top GB of physical DRAM physically located from 3 GB to 4 GB is addressed between 4 GB and 5 GB by the system.



XVME-6200 Memory Map

The memory map of the XVME-6200 as seen by the CPU is shown below. The I/O designation refers to memory which is viewed as part of the AT bus or as part of VMEbus depending on how the Universe is programmed.

XVME-6200 MEMORY MAP

ADDRESS RANGE (HEX)	SIZE	DEVICE
FFFC0000 - FFFFFFFF	256K	SYSTEM BIOS
end of DRAM - FFFBFFFF	xxxK	I/O MEMORY**
00100000 – end of DRAM	xxxK	DRAM *
000F0000 – 000FFFFF	64K	SYSTEM BIOS
000E0000 – 000EFFFF	64K	SYSTEM BIOS
000D8000 – 000DFFFF	32K	Universe Real Mode Window
000D0000 – 000D7FFF	32K	Open memory block
000CC000 – 000CFFFF	16K	Open memory block
000C0000 – 000C7FFF	32K	VGA BIOS
000A0000 – 000BFFFF	128K	VGA DRAM MEMORY
00000000 – 0009FFFF	640K	DRAM

*See Intel 6300ESB data sheet for description for optional settings for memory holes or gaps within Memory map area
 **The PCI devices are located at the very top of memory just below the system BIOS.

XVME-6200 I/O Map

I/O map for the XVME-6200 contains I/O ports of the IBM AT architecture plus some additions for PCI I/O registers and Xycom specific I/O registers.

Hex Range	Device
000-01F	DMA controller 1, 8237A-5 equivalent
020-021	Interrupt controller 1, 8259 equivalent
022-023	Available
024-02D	Interrupt controllers
02E-02F	LPC SIO
030-03D	More interrupt controllers
040-042	Timer/Counter, 8254-2 equivalent
043	Timer/Counter (write only)
04E-04F	LPC SIO
050-052	Timer/Counter
060-06F	8742 equivalent (keyboard)
070-07F	Real Time Clock bit 7 NMI mask
080-091	DMA page register
92	Fast GateA20 and Fast CPU Init
93-9F	DMA page register
0A0-0B1	Interrupt controller 2, 8259 equivalent
0B2-0B3	Power Management
0B4-0BF	Interrupt controller 2, 8259 equivalent
0C0-0DF	DMA controller 2, 8237A-5 equivalent
0F0	FERR#/IGNNE#/Interrupt Controller
0F1	N/A
0F2-0FF	N/A
170-177	Secondary IDE Controller (Generates CS1*)
1F0-1F7	Primary IDE Controller (Generates CS1*)
219	Xycom LED control register
234	Byte Swap, LAN select, Video select port
235-277	Available
278-27F	Parallel Port 2
280-2F7	Available
2F8-2FF	COM2 Serial Port
300-36F	Available
376	Secondary IDE Controller (Generates CS3*)
378-37F	Parallel Port 1
380-3BF	Available
3C0-3DF	VGA/EGA2
3E8-3EF	COM3 Serial Port
3F0-3F5	Primary Floppy disk controller
3F6	Primary IDE Controller (Generates CS3*)
3F8-3FF	COM1 Serial port
4D0h	ELCR1 (Edge or level triggered)
4D1h	ELCR2 (Edge or level triggered)
CF8	PCI configuration address register
CF9	Reset Control Register

Interrupt Usage

INT#	Function
IRQ0	System Timer
IRQ1	Keyboard
IRQ2	Interrupt Cascade (reserved)
IRQ3	COM2
IRQ4	COM1
IRQ5	
IRQ6	Floppy
IRQ7	Parallel Port (LPT1)
IRQ8	Real Time Clock
IRQ9	Universe IID
IRQ9	Video
IRQ10	Onboard PMC-X
IRQ11	Ethernet 1 and 2
IRQ12	Mouse
IRQ13	Math Coprocessor (reserved)
IRQ14	Primary IDE
IRQ15	Secondary IDE

The above interrupt mapping is one possible scenario. The user or operating system may choose a different mapping for some of these interrupts based on what devices are actually in the system and require interrupts. If COM2 or LPT1 are not used, then these would free up IRQ3 and IRQ7 respectively. Only one of COM1 or COM3 can function at a time since IRQ4 is edge triggered.

The default BIOS has the following settings.

Interrupt Processing [Use APIC]
MP Tables [Enabled]

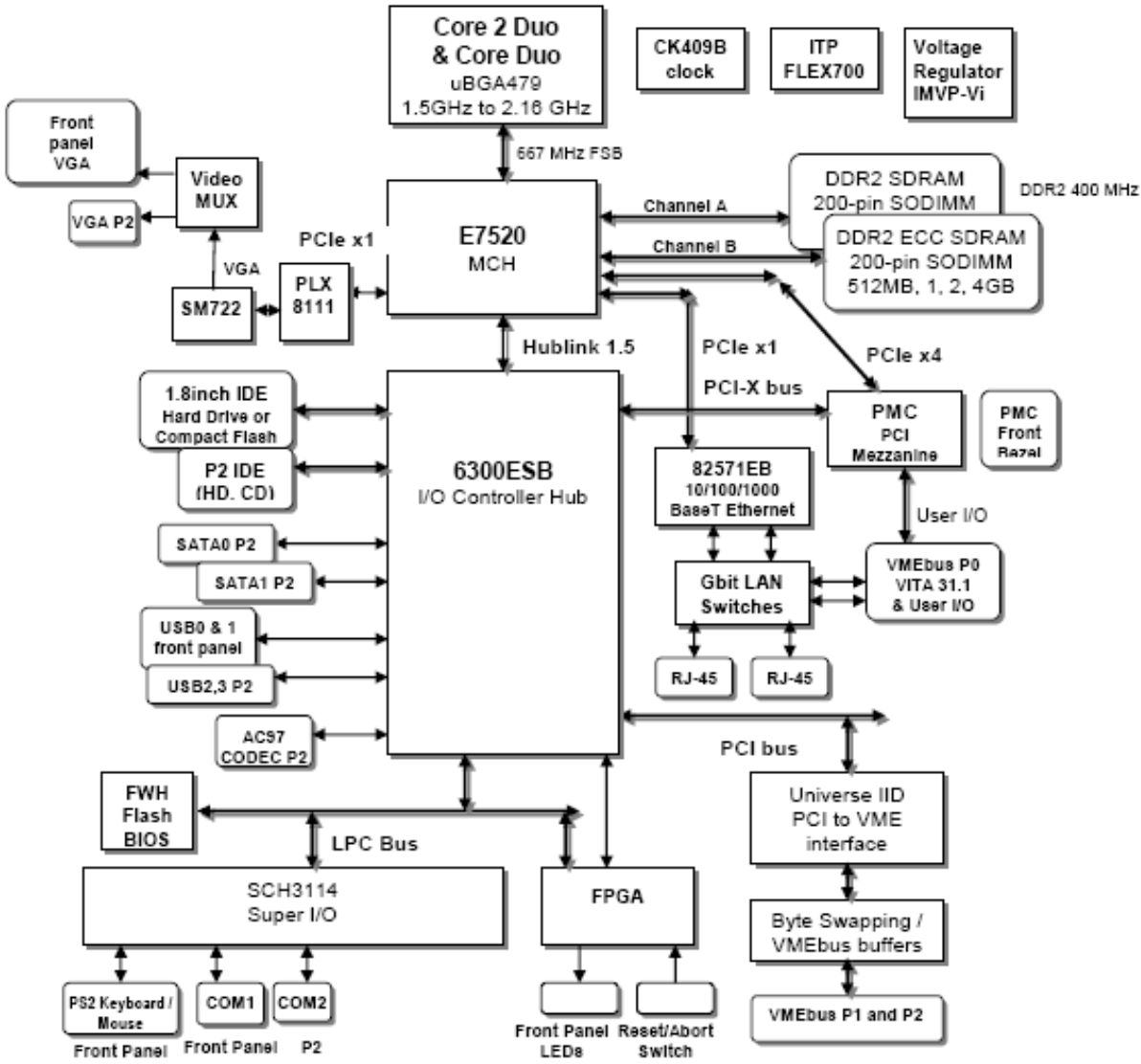
Storage Devices (Hard Drive, Floppy, Compact PCI and On-Board Drive)

EIDE and Floppy Drives

The XVME-6200 primary IDE and floppy drive signals are routed through the P2 connector inner three rows (available in a legacy 96-pin back plane), providing a simplified method of connecting up to two IDE devices and one external floppy drive. The secondary IDE master signals support the optional on-board hard drive or on-board Compact Flash site and the secondary IDE slave signals are not supported.

When used with the XVME-977 and/or the XVME-979 mass storage modules, the IDE devices and floppy drives do not need to be located next to the processor. Using the supplied six-inch ribbon cable (which connects the XVME boards' J2 VME backplane connectors), the XVME-977 or the XVME-979 can be installed up to four slots away from the XVME-6200 on the VME backplane. This allows greater flexibility in configuring the VMEbus card cage.

For applications that require mass storage outside the VMEbus chassis, the XVME-990 rear transition module plugs onto the VMEbus J2 connector. This module provides industry standard connections for IDE and floppy signals. One floppy drive can be connected to the XVME-990. This drive may be 2.88 MB, 1.44 MB, 1.2 MB, or 720 KB, 360 KB in size. For more information on the XVME-990, refer to Chapter 5.



Caution

The IDE controller supports enhanced PIO modes, which reduce the cycle times for 16-bit data transfers to the hard drive. Check with your drive manual to see if the drive you are using supports these modes. The higher the PIO mode, the shorter the cycle time. As the IDE cable length increases, this reduced cycle time can lead to erratic operation. As a result, it is in your best interest to keep the IDE cable as short as possible.

The PIO modes can be selected in the BIOS setup. The Auto configuration will attempt to classify the connected drive if the drive supports the auto ID command. If you experience problems, change the **Transfer Mode** to *Standard*.

Caution

The total cable length must not exceed 18 inches. Also, if two drives are connected, they must be no more than six inches apart. See SATA below for longer cable lengths.

Serial ATA Hard Drive

The XVME-6200 features two (2) SATA-150 drive interfaces out the rear P2 VMEbus connector. The use of the optional rear transition module (XVME-990) allows for the connection of two drives using standard SATA cables. If your application requires the external drives to be mounted in a location that requires a long cable run, the SATA drives are better suited to that application. SATA cable can be up to 1 meters or 39" long, EIDE have be less than 18" long.

Serial ATA – 7-pin connector

The 0.5" wide cable connector directly connects the 4 signal wires and 3 ground lines to the receiving terminal in a single row. Because the connector includes the shielding ground pins, very little crosstalk is introduced. Note that the receiving terminal uses extended connectors for the 3 ground signals so that the ground reference between the device and host can be shared prior to signals being applied at the input. A similar mating sequence is enforced with the new 7/8" wide 15-pin single row power connector. This feature is necessary to accommodate hot-plugging. The 7-pin plugs from both channels of the SATA-150 are on the XVME-990, the use of this rear transition module make it possible to connect to a SATA drive. Contact www.serialata.org for more information on the SATA interface.

On-Board Hard Drive (Optional module XVME-913)

The on-board hard drive resides as a master on the secondary EIDE port. The XVME-913 is a kit of parts including; 1.8" hard drive, cable, 4 brackets, screws and standoffs. There are no unique drivers required. The XVME-6200 can be booted from the on-board hard drive if configured in the BIOS **Boot** menu. **NOTE: The XVME-6200 module can accept either an on-board 1.8" hard drive (XVME-913) or the Compact Flash carrier (XVME-912) but not both.**

Compact Flash Site (Optional module XVME-912)

The compact flash socket on the optional carrier module will support type I or type II Compact Flash cards. The compact flash resides as a master on the secondary IDE port. There are no unique drivers required. The XVME-6200 can be booted from the compact flash drive if configured in the BIOS **Boot** menu. **NOTE: The XVME-6200 module can accept either an on-board 1.8" hard drive (XVME-913) or the Compact Flash carrier (XVME-912) but not both.**

VMEbus Interface

The XVME-6200 uses the PCI local bus to interface to the VMEbus via a PCI to VME bridge device (Tundra Universe IID). The VMEbus interface supports full DMA to and from the VMEbus, integral FIFOs for posted writes, block mode transfers, and read-modify-write operations. The interface contains one master and eight slave images that can be programmed in a variety of modes to allow the VMEbus to be mapped into the XVME-6200 local memory. This makes it easy to configure VMEbus resources in protected and real mode programs. The XVME-6200 also incorporates onboard hardware byte-swapping (see Table 1-2). For a complete API, the Xembedded Board Support Packages tailored to your operating system will allow quick programming of your application.

Serial and Parallel Ports

XVME-6200 includes three high-speed 16550-compatible serial ports (RS-232C) with Com 1 capable of RS-232 and RS-422/485 configurations. The Parallel port can be configured for ECP or EPP parallel port. This is done in the SMC SCH3114 LPC Super I/O and programmed via the BIOS. Com ports 1 and 3 are RJ-45's on the front panel and Com2 is available out the P2 VMEbus connector and requires the use of the XVME990 which provides a standard DB-9 connection.

Keyboard / Mouse Interface

A combined keyboard and mouse port PS/2 connector is provided on the front panel. A PS/2 splitter cable part number 140232 (provided with the module) may be used to separate the two ports so that both devices may be simultaneously connected to the module. If a mouse is not required, a keyboard can be connected directly to the PS/2 port. The keyboard and mouse are controlled in the SMC SCH3114 LPC Super I/O.

PMC Expansion

The XVME-6200 provides an on-board PMC site for use with standard 32/64-bit, 33/66MHz PMC and PMC-X modules. The PMC site is serviced by the on-board PCI-X bus. For electrical isolation, the PMC front panel bezel is not connected to the main CPU ground. **PCI-X**, or **PCI extended**, is an enhanced version of PCI (Peripheral Component Interconnect) computer bus. Although PCI-X is backward-compatible with traditional PCI devices and systems, this specification implements additional features and performance improvements include 3.3V signaling, increased speed grades, and adaptation to other form factors. PCI-X effectively doubles the speed and amount of data exchanged between the computer processor and peripherals. PCI-X bus was designed for and is ideally suited for server cards such as FPGA, DSP, Fibre Channel, RAID, high-speed networking, and other demanding devices. If a standard PCI PMC card is fitted on the XVME-6200 PMC site, the on-board PCI-X bus reverts to the PCI bus speed.

Additional PMC Expansion Options

The XVME-6200 supports optional PMC (PCI Mezzanine Card) expansion using XVME-9076 expansion module. The XVME-9076 provides two PCI Mezzanine Card (PMC) sites. The XVME-9076 module is designed to plug directly into the XVME-6200 using the 80-pin expansion board connector. Another XVME-9076 can be used to extend the XVME-6200 and first XVME-9076 to five PMC card sites.

Watchdog Timer

The XVME-6200 has a long duration watchdog timer which can count from 1 to 255 seconds or from 1 to 255 minutes. The BIOS supports various system events which can be routed to the watchdog timer. The timer when enabled can generate either an interrupt or a master reset depending on how the watchdog timer is configured.

Note

The timeout range is from 1.0 second to 2.25 seconds; it will typically be 1.6 seconds.

Software Support

The XVME-6200 is fully PC-compatible and will run "off-the-shelf" PC software, but most packages will not be able to access the features of the VMEbus. To solve this problem, Xembedded has developed extensive Board Support Packages (BSPs) that simplify the integration of VMEbus data into PC software applications. Xembedded's BSPs provide users with an efficient high-level interface between their applications and the VMEbus-to-PCI bridge device. Board Support Packages are available for MS-DOS®, Windows 2000®, Windows XP, Windows XP Embedded, Linux, VxWorks, and QNX®.

Operational Description

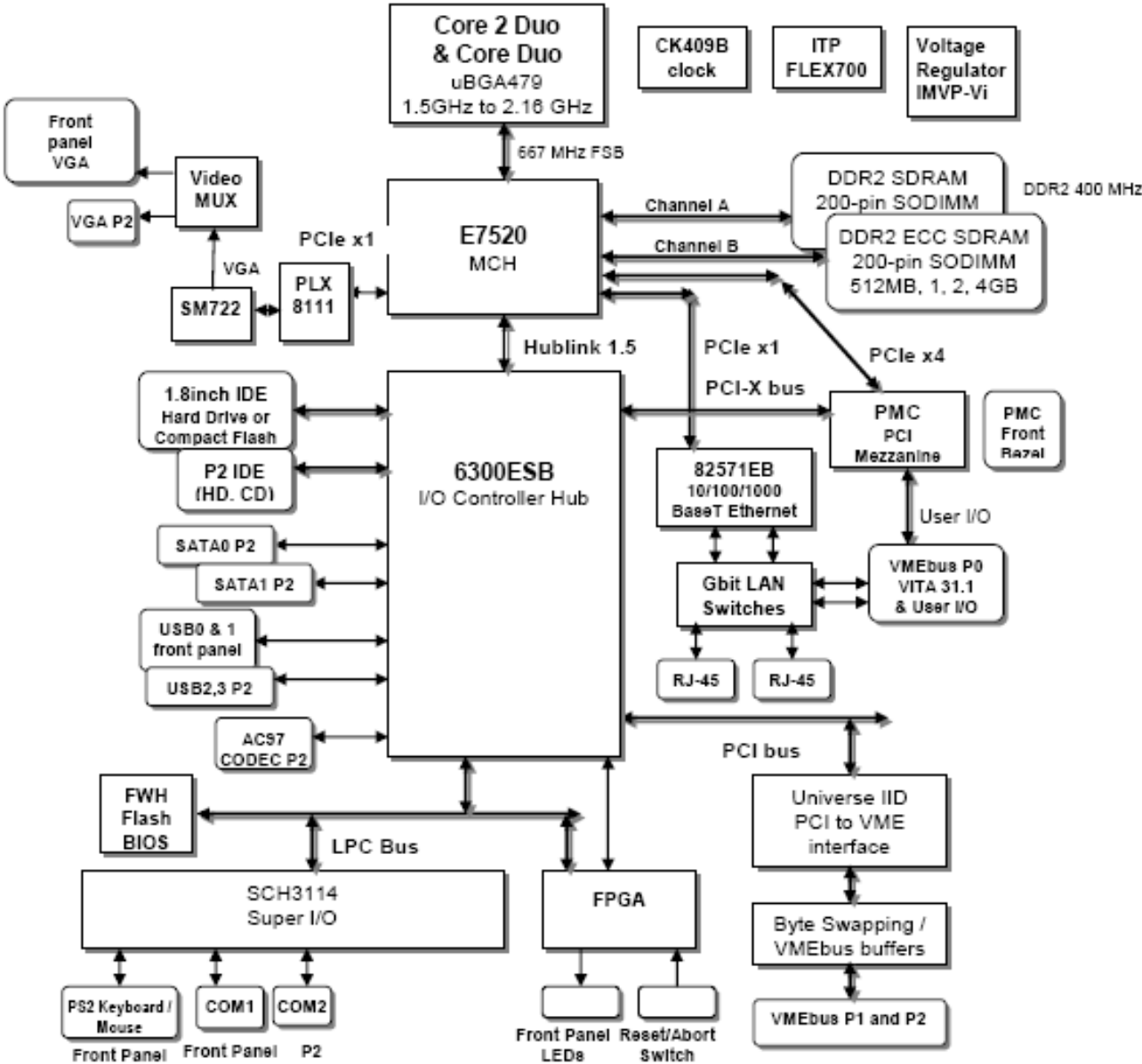


Figure 1-1 XVME-6200 Block Diagram

Environmental Specifications

The XVME-6200 will meet the following environmental requirements:

Environmental Specification	Operating	Non-Operating
Thermal		-40 to 85 C
Humidity	10% to 90% RH, non-condensing	10% to 90% RH, non-condensing
Shock	30 g peak acceleration, 11 msec duration	50 g peak acceleration, 11 msec duration
Vibration 5 – 2000 Hz	0.015" (0.38mm) peak-to-peak displacement, 2.5 g maximum acceleration	0.030" (0.76mm) peak-to-peak displacement, 5 g maximum acceleration
Emissions	EN 55022	EN 55022
Immunity	EN 50082-2	EN 50082-2

Hardware Specifications

Characteristic	Specification
Power Specifications:	5.4 A (typical); 10.5 A (maximum)
Voltage Specifications:	+5V, +12V, -12V; all +5%/-2.5% (Only +5VDC required)
CPU speed: Intel Core2 Duo and Core Duo Low Power Processor	2.16 GHz (T7400)
L2 Cache: Intel Core2 Duo and Core Duo Low Power Processor	4 MB
Onboard memory	SDRAM, up to 8 GB (dual channel 200-pin SODIMM)
Graphics Controller	1600 x 1200 maximum resolution, 24-bit color maximum; 4 MB video memory
Ethernet Controllers (2)	Intel 82571EB 10/100/1000Base-TX Gigabit Ethernet; RJ-45
Mass Storage	
Integrated SATA-150 Controller	SATA0 and SATA1 via P2
EIDE Ultra DMA 100 interface	2 channels via P2
	One 1.8" on-board EIDE via optional carrier module
Compact Flash	One, on-board Compact flash site via optional carrier module
Floppy Drive	Via P2 to XVME 977
PMC Site	On board 66 MHz/64 Bit PMC/PCI-X with front and P0 I/O Access. Site is 3.3V interface level
	Optional 32bit / 33 MHz sites available via XVME-9076 (2 sites, total 3) and XVME-976-210 (4 sites, total 5)
Stereo Audio	AD1981B AC97 CODEC, Line Level Stereo Input and Output Via P2
USB	Two USB 2.0 via Front panel Two USB 2.0 via P2
Serial Ports	RS-232C, 16550 compatible (3) COM1, Com 2, Com3 (Com 1 can be configured for RS-232/422/485, Com 2 and 3 are RS-232 only)
Parallel Interface	EPP/ECP compatible (1)
Keyboard and Mouse	Via Front Panel
Regulatory Compliance	European Union – CE; Electromagnetic Compatibility - 89/336/EEC RoHS Compliant product available

VMEbus Specification

<p>VMEbus Compliance Complies with VMEbus Specification ANSI/VITA 1–1994 A32/A24/A16:D64/D32/D16/D08(EO) DTB Master A32/A24/A16:D64/D32/D16/D08(EO) DTB Slave R(0-3) Bus Requester Interrupter I(1)-I(7) DYN IH(1)-IH(7) Interrupt Handler SYSCLK and SYSRESET Driver PRI, SGL, RRS Arbiter RWD, ROR bus release Form Factor: DOUBLE 233.7 mm x 160 mm (9.2" x 6.3")</p>

System Configuration and Expansion Options Tables

Table 1-2 XVME-6200 CPU configurations

Ordering Number	CPU Type
XVME-6200/8XY	Intel® 1.5GHz L7400
XVME-6200/9XY	Intel® 2.16GHz T7400

Handle and P0 configurations	Memory configurations (total on-board memory)
Y = 1 VME-64 IEEE 1101.1 (Std / legacy) handles w/o VMEbus P0	X = 1 for 512MB ECC DRR2 SDRAM
Y = 2 VME-64 IEEE 1101.10 (Compact PCI type) handles w/o VMEbus P0	X = 2 for 1GB ECC DRR2 SDRAM
Y = 3 VME-64 IEEE 1101.1 (Std / legacy) handles with the VMEbus P0	X = 3 for 2GB ECC DRR2 SDRAM
Y = 4 VME-64 IEEE 1101.10 (Compact PCI type) handles with the VMEbus P0	X = 4 for 4 GB ECC DRR2 SDRAM
	X = 5 for 8 GB ECC DRR2 SDRAM

Note: Some features on the XVME-6200 are only available in a 160-pin (5-Row) VMEbus P2 backplane.

The ordering number is broken into two parts. The model number is the 6200. The tab number is the three digits after the slash. For the XVME-6200, the tab number indicates the CPU type, amount of SDRAM memory (the middle digit) and the ejector handle type and optional P0 connector.

There are also several expansion module options for the XVME-6200.

Table 1-3 XVME-6200 Expansion Module Options

Ordering Number	Description
XVME-990/1	Drive Adapter Module for external drives, cables out back of VME backplane, Primary PIDE (2 PIDE), Floppy, COM2 (Only RS-232), two ports of SATA-150, LPT1, 1 USB port, Audio in/out and Analog Video out plus P0 for rear I/O from PMC site and Ethernet 31.1 or rear RJ-45 Ethernet.
XVME-990/2	Drive Adapter Module for external drives, cables out back of VME backplane, Primary PIDE (2 PIDE), Floppy, COM2 (Only RS-232), two ports of SATA-150, LPT1, 1 USB port, Audio in/out and Analog Video out
XVME-9076	PMC Carrier module with two PMC module sites. The XVME-9076 allows for stacking of a second XVME-9076, this combination will accommodate a total of five PMC modules
XVME-977/011	Single-slot Mass Storage Module with hard drive and floppy drive
XVME-979/1	Single-slot Mass Storage System with CD-ROM and external floppy connector
XVME-979/2	Single-slot Mass Storage System with CD-ROM, hard drive, and external floppy connector
XVME-979/3	Single-slot Mass Storage System with RW CD-ROM and external floppy connector
XVME-979/4	Single-slot Mass Storage System with RW CD-ROM, hard drive, and external floppy connector
XVME-979/5	Single-slot Mass Storage System with RW DVD, CD-ROM, and external floppy connector
XVME-979/6	Single-slot Mass Storage System with RW DVD, CD-ROM, hard drive, and external floppy connector
XVME-9000-EXF	External Floppy Drive for use with XVME-979

The XVME-9076, XVME-977, and XVME-979 expansion modules are described in their own manuals. The XVME-990 is described in Chapter 5.

Chapter 2 – Installation and Setup

Board Layout

This chapter provides information on configuring the XVME-6200 modules. It also provides information on installing the XVME-6200 into a backplane and enabling the Ethernet controller.

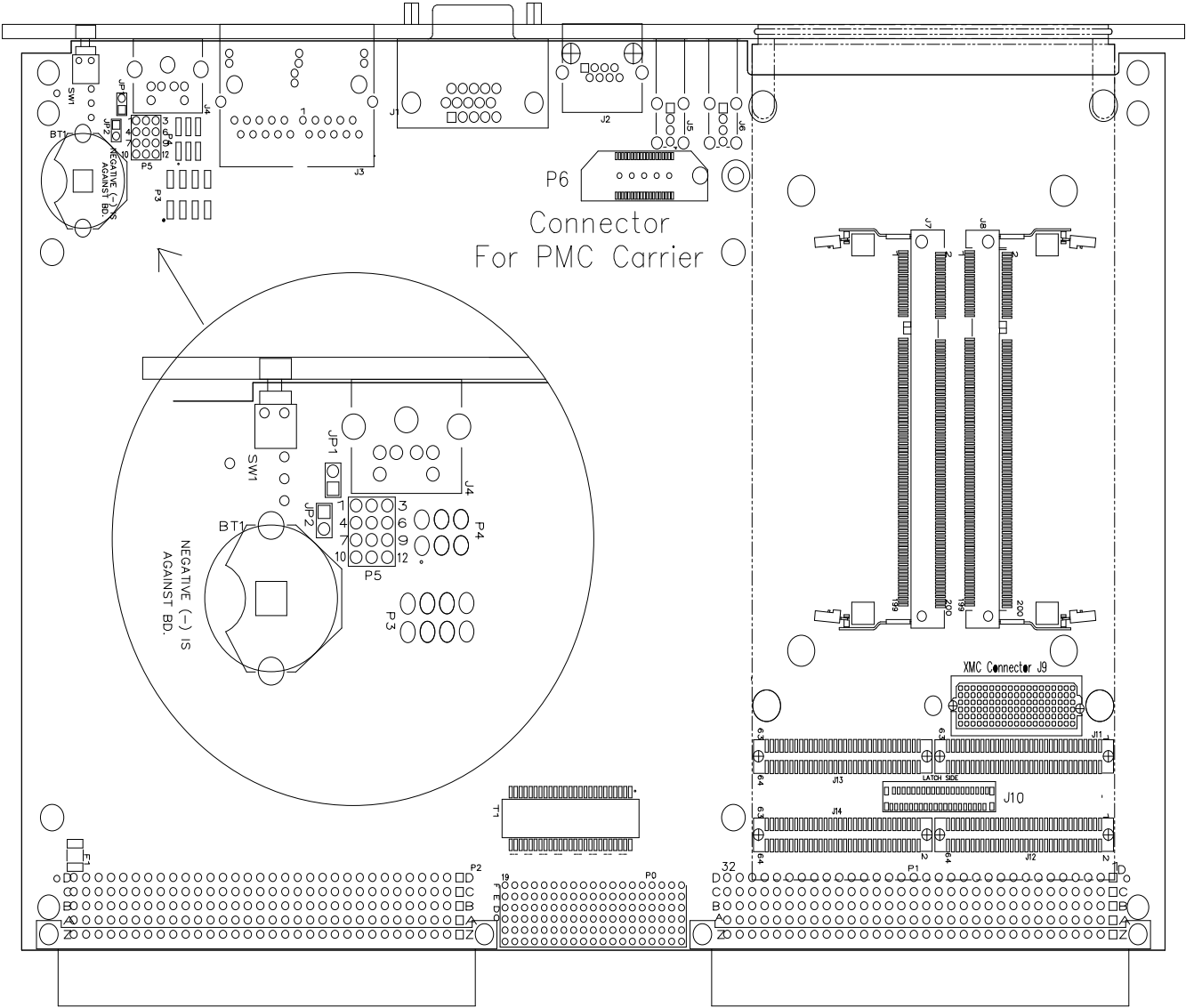
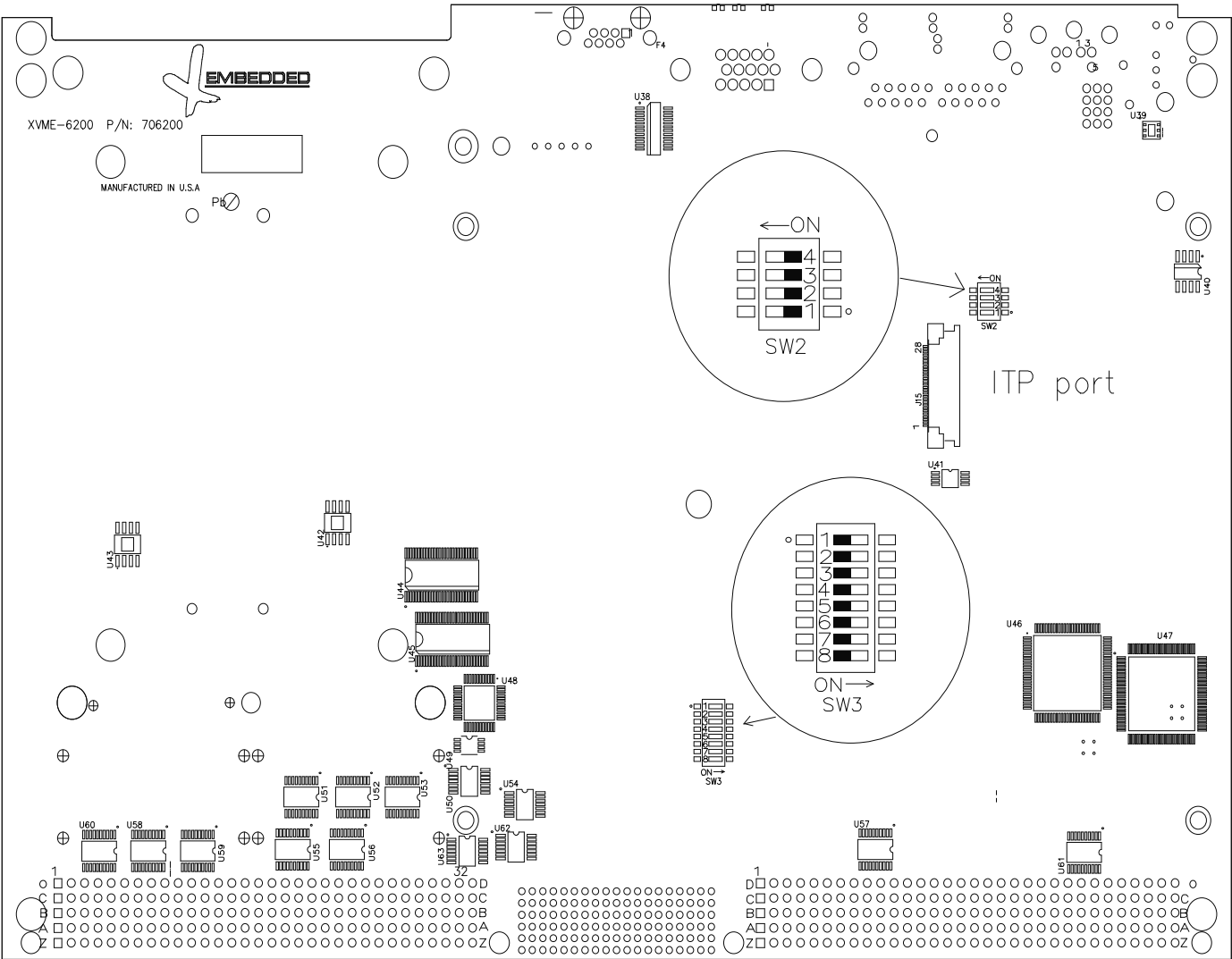


Fig. 2-1 shows the jumper, switch, and connector locations on the XVME-6200.

Installation and Setup

Fig. 2-X shows the jumper, switch, and connector locations on the back side of the XVME-6200.



Jumper and Switch Settings

The following table Lists XVME6200 jumpers, their default positions, and their functions.

SW2 On the back side of the module (See Fig. 2-X)

Position	Setting	Description
SW2-1	ON	VGA Front (ON) / Back (off) select
SW2-2	OFF	RTCRST* - resets RTC when on
SW2-3	OFF	NC
SW2-4	OFF	NC

SW3 On the back side of the module (See Fig. 2-X)

Position	Setting	Description
SW2-1	OFF	*VRSYSRESET to *SW_VRSYSRESET
SW2-2	OFF	*MROUT to *VMEREST
SW2-3	OFF	VDB27 to pull
SW2-4	ON	MROUT* wired to Front panel reset
SW2-5	OFF	VMESYSFAIL_CNT to GND
SW2-6	OFF	System Controller enabled Pullup to *VBG3IN
SW2-7	OFF	*VSYSRESETX ot *VSYSRESET
SW2-8	OFF	*VSYSRESETX to pullup

JP1 Top side of the module (See Fig. 2-X)

IN Connects Front Panel to GND

JP2 Top side of the module (See Fig. 2-X)

IN Connects battery Powering CMOS Setup Storage

P4 Top side of the module (See Fig. 2-X)

Position	Setting	Description
1 - 2	ON	RXD0 to RXD2320 (default)
3 - 4	OFF	RXD0 to RXD422
5 - 6	OFF	RXD0 to RXD485

P5 Top side of the module (See Fig. 2-X)

Position	Setting	Description
1 - 2	ON	DSR0C to *DSR0C/485RXD-
2 - 3	OFF	485RXD- to *DSR0C/485RXD-
4 - 5	ON	RXD0C to RXD0C/485RXD+
5 - 6	OFF	485RXD+ to RXD0C/485RXD+
7 - 8	ON	TXD0C to TXD0C/485TXD+
8 - 9	OFF	485TXD+ to TXD0C/485TXD+
10 - 11	ON	*DTR0C to *DTR0C/485TXD-
11 - 12	OFF	485TXD- to *DTR0C/485TXD-

Registers

The XVME-6200 modules contain the following Xembedded-defined I/O registers: 218h, 219h, 233h, and 234h.

Register 218h – Abort/CMOS Clear Register

This register controls the abort toggle switch and allows you to read the CMOS clear jumper (main board J21).

Table 2-3 Abort/CMOS Clear Register Settings

Bit	Signal	Result	R/W
0	RESERVED	Reserved	
1	RESERVED	Reserved	
2	RESERVED	Reserved	
3	RESERVED	Reserved	
4	ABORT_STS	1 = Abort toggle switch caused interrupt	R
5	ABORT_CLR	0 = Clear and disable abort 1 = Enable abort	R/W
6	RESERVED	Reserved	
7	CLRCMOS	0 = Clear CMOS 1 = CMOS okay	R

Register 219h – Flash Control Register

This register controls the following LEDs and signals.

Table 2-4 LED/BIOS Register Settings

Bit	LED/Signal	Result	R/W
0	FAULT	0 = Fault LED on 1 = Fault LED off	R/W
1	PASS	0 = PASS LED off 1 = PASS LED on	R/W
2	N/A	N/A	
3	N/A	N/A	
4	RESERVED	Reserved	
5	RESERVED	Reserved	
6	RESERVED	Reserved	
7	RESERVED	Reserved	

Register 233h – Watchdog Timer Register

This register controls watchdog timer operation.

Table 2-5 Watchdog Timer Register Settings

Bit	Signal	Result
0	RESERVED	Reserved
1	RESERVED	Reserved
2	RESERVED	Reserved
3	RESERVED	Reserved
4	WDOG_EN	1 = Enables the watchdog timer
5	MRESET_EN	1 = Timeout generates 0 = Timeout generates IRQ10
6	WDOG_STS	Watchdog timer status bit
7	WDOG_CLR	Toggling this bit clears the watchdog timer back to a zero count.

Note

Before enabling the watchdog timer for the first time, it is necessary to reset the count back to zero by toggling bit 7 (WDOG_CLR). Toggling implies changing the state of bit (0 to 1 or 1 to 0).

Register 234h – Flash Paging and Byte Swap Register

This register controls access to the Flash paging and byte-swapping functions.

Table 2-6 Flash Paging and Byte Swap Register Settings

Bit	Signal	Result
0	FLB_A15	Flash address 15 - page control bit
1	FLB_A16	Flash address 16 - page control bit
2	FLB_A17	Flash address 17 - page control bit
3	Unused – set to 0	Do not use.
4	Unused – set to 0	Do not use.
5	Unused – set to 0	Do not use.
6	SWAPS	1 = No swapping (data invariant) occurs during slave cycles
7	SWAPM	1 = No swapping (data invariant) occurs during master cycles

Front Panel Layout

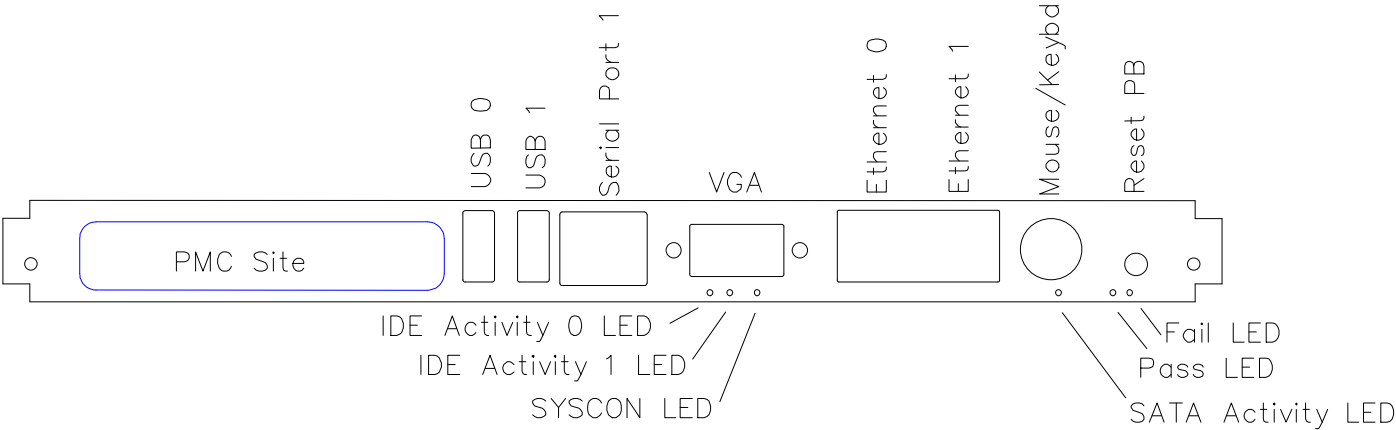


Fig. 2-X shows the front panel connector locations indicator LEDs

Panel LEDs and Switch

The reset switch can be enabled to reset see the setup of Sw-1 shown in Figure 2-2 and table 2-2. This switch can be configured to either just reset the XVME-6200 or to reset both the VMEbus and the XVME-6200. The green pass and red fail LEDs are used as an indication of board health during the BIOS boot up. Both the green pass and red fail LEDs will light during the POST of the board. As the BIOS complete the POST, the red fail LED will be turned off. This is an indication the XVME-6200 has passed the POST. The blue SYS Controller LED is lit when the XVME-6200 is configured as the VMEbus system controller. This is the function that grants bus ownership to multiple bus VME masters and provides the 16MHz clock signal on the back plane.

Connectors

This section provides pin outs for the XVME-6200 connectors. Refer to the EMC warning at the beginning of this manual before attaching cables.

Keyboard/Mouse Port Connector

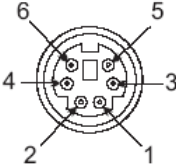


Table 2-7 Keyboard Port Connector Pin out

Pin	Signal
1	Keyboard Data
2	Mouse Data
3	GND
4	+5V
5	Keyboard Clock
6	Mouse Clock

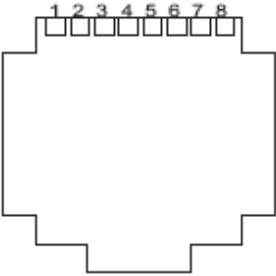
Front panel Ethernet

The Ethernet ports on the XVME-6200 are switch able between the front and the rear of the XVME-6200. When in the rear mode, the Ethernet ports can use the (optional, available at order time only) PO connector for either Vita 31.1 switch fabric over the Vita 31.1 compliant backplane or Ethernet out the XVME-990/2 rear transition module. The Vita 31.1 and the rear transition module can not supply Ethernet at the same time, if a Vita 31.1 compliant backplane is in use then the rear transition module RJ-45s must not be used.

Table 2-8 RJ-45 10/100/1000 BaseT Connector Pin out

Pin	Signal
1	TX+
2	TX-
3	RX+
4	GND
5	GND
6	RX-
7	GND
8	GND

Figure 2-8 RJ-45 10/100/1000Mbps



VGA Connector (P9)

The video is BIOS selectable and is available on either the front panel on a standard SVGA connector or out the VMEbus P2. The table below shows the pin out of the standard video connector and also the VMEbus P2 pin out for the rear access of video. The XVME-990 rear transition module connects to the rear of the VMEbus in the same slot as the XVME-6200 and allows for standard connections to off board devices. The XVME-990 provides a standard SVGA connector for rear access.

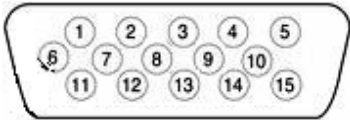


Figure 2-9

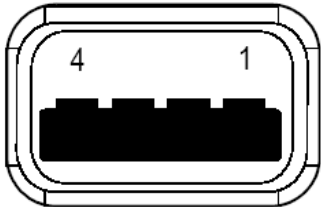
Table 2-9 VGA Connector Pin out

SVGA Pin out	Signal	VMEbus P2
1	RED	Row d Pin-20
2	GREEN	Row d Pin-21
3	BLUE	Row d Pin-22
4	NC	N/C
5	GND	Row d Pin-31
6	GND	Row d Pin-31
7	GND	Row d Pin-31
8	GND	Row d Pin-31
9	25MIL_VIDA	N/C
10	GND	Row d Pin-31
11	NC	N/C
12	LDDCDAT	Row d Pin-26
13	HSYNC	Row d Pin-23
14	VSYNC	Row d Pin-24
15	LDDCCLK	Row d Pin-25

USB Port Connector (J5)

USB provides an expandable, hot-pluggable Plug and Play serial interface that ensures a standard, low-cost connection for peripheral devices. Devices suitable for USB range from simple input devices such as keyboards, mice, and joysticks, to advanced devices such as printers, scanners, storage devices, modems, and video conferencing cameras. USB 2.0 has a raw data rate at 480Mbps, and it is rated 40 times faster than its predecessor interface, USB 1.1, which tops at 12Mbps.

USB port 1 is available on the front panel using a standard connector as shown in Figure 2-10 below. The other two USB ports USB-2 and 3, are routed out the VMEbus P2 connector and can be accessed either directly off the VMEbus P2 connector using the pin assignment shown in Fig. 2-10. The USB +5 V supplies are protected with a polyswitch. This device will open up if +5 V is shorted to GND. Once the shorting condition is removed, the polyswitch will allow current flow to resume.



USB Connector Figure 2-10

VMEbus P2	Signal Name
P2-row-z 17	USB3_GND
P2-row-z 18	GND
P2-row-z 19	USB3+
P2-row-z 20	GND
P2-row-z 21	USB3-
P2-row-z 22	GND
P2-row-z 23	USB3_PWR
P2-row-z 24	GND
P2-row-z 25	USB2_GND
P2-row-z 26	GND
P2-row-z 27	USB2+
P2-row-z 28	GND
P2-row-z 29	USB2-
P2-row-z 30	GND
P2-row-z 31	USB2_PWR
P2-row-z 32	GND

Table 2-11 Rear USB ports 2 and 3
USB Port Connector Pin out on VMEbus P2

Pin	Signal
1	+5V
2	USBP0-
3	USBP0+
4	GND

Table 2-10 USB Port Connector Pin out

COM1 and COM3 (J4) Pin Definitions

The XVME-6200 has one serial port out the front panel, Com 1 this com port uses the RJ-45 connector. The second com port is out the VMEbus P2 connector and when the XVME-990 rear transition module is in place com port 2 uses a DB-9 connector. See below for connector layout and pin descriptions.

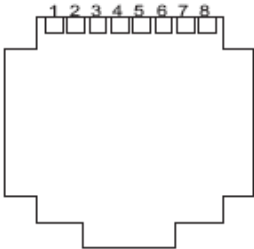


Figure 2-11 RJ-45 Serial Port Connector

COM1 Pin Definitions

Pin Number	RS232	RS422	RS485
1	RTS	RTS	RTS
2	DTR	DTR	RXD-
3	TXD	TXD	RXD+
4	GND	GND	GND
5	GND	GND	GND
6	RXD	RXD	TXD+
7	DSR	DSR	TXD-
8	CTS	CTS	CTS

Table 2-12 Serial Port Connector Pin out for Comm-1

P4

Position	Setting	Description
1 - 2	ON	RXD0 to RXD2320 (default)
3 - 4	OFF	RXD0 to RXD422
5 - 6	OFF	RXD0 to RXD485

P5

Position	Setting	Description
1 - 2	ON	DSR0C to *DSR0C/485RXD-
2 - 3	OFF	485RXD- to *DSR0C/485RXD-
4 - 5	ON	RXD0C to RXD0C/485RXD+
5 - 6	OFF	485RXD+ to RXD0C/485RXD+
7 - 8	ON	TXD0C to TXD0C/485TXD+
8 - 9	OFF	485TXD+ to TXD0C/485TXD+
10 - 11	ON	*DTR0C to *DTR0C/485TXD-
11 - 12	OFF	485TXD- to *DTR0C/485TXD-

Table 2-13 Switch Setup for Com Port 1

On-Board Hard Drive/Compact Flash Site

A horizontal ZIF connector is used on the board. (Samtec part number ZF5-40-01-TM-WT.) The connector on the board has a reverse pin out because of the connector orientation relative to the hard drive. This allows the flex cable to loop up to the hard drive, with the connector side facing the board.

Table 2-14 On-Board storage devices use the J17 1.8inch Hard Drive Connector pin assignment

Pin #	Description	Pin #	Description	Pin #	Description	Pin #	Description
1	factory use	11	DD4	21	GROUND	31	DA1
2	factory use	12	DD11	22	DMARQ	32	PDIAG-
3	RESET-	13	DD3	23	GROUND	33	DA0
4	GROUND	14	DD12	24	DIOW-	34	DA2
5	DD7	15	DD2	25	DIOR-	35	CS0-
6	DD8	16	DD13	26	GROUND	36	CS1-
7	DD6	17	DD1	27	IORDY	37	DASP-
8	DD9	18	DD14	28	GROUND	38	3.3V
9	DD5	19	DD0	29	DMACK-	39	3.3V
10	DD10	20	DD15	30	INTRQ	40	DEVADR

Installation and Setup

The Hitachi C4K60 CE has a 40 pin ZIF connector.

Table 2-15 1.8inch Hard Drive Connector pin assignment on hard drive

Pin #	Description	Pin #	Description	Pin #	Description	Pin #	Description
40	factory use	30	DD4	20	GROUND	10	DA1
39	factory use	29	DD11	19	DMARQ	9	PDIAG-
38	RESET-	28	DD3	18	GROUND	8	DA0
37	GROUND	27	DD12	17	DIOW-	7	DA2
36	DD7	26	DD2	16	DIOR-	6	CS0-
35	DD8	25	DD13	15	GROUND	5	CS1-
34	DD6	24	DD1	14	IORDY	4	DASP-
33	DD9	23	DD14	13	GROUND	3	3.3V
32	DD5	22	DD0	12	DMACK-	2	3.3V
31	DD10	21	DD15	11	INTRQ	1	DEVADR

VMEbus Connectors

VMEbus P1 Connector

Table 2-16 P1 Connector Pin out

Pin	Z	A	B	C	D
1*	<i>MPR</i>	D00	BBSY*	D08	+5V
2	GND	D01	BCLR*	D09	GND
3*	<i>MCLK</i>	D02	ACFAIL*	D10	+V1
4	GND	D03	BG0IN*	D11	+V2
5*	<i>MSD</i>	D04	BG0OUT*	D12	<i>RSVU1</i>
6	GND	D05	BG1IN*	D13	-V1
7*	<i>MMD</i>	D06	BG1OUT*	D14	-V2
8	GND	D07	BG2IN*	D15	<i>RSVU2</i>
9*	<i>MCTL</i>	GND	BG2OUT*	GND	<i>GAP*</i>
10	GND	SYSCLK	BG3IN*	SYSFAIL*	<i>GA0*</i>
11*	<i>RESP*</i>	GND	BG3OUT*	BERR*	<i>GA1*</i>
12	GND	DS1*	BR0*	SYSRESET*	
13	<i>SDB14*</i>	DS0*	BR1*	LWORD*	<i>GA2*</i>
14	GND	WRITE*	BR2*	AM5	
15	<i>SDB15*</i>	GND	BR3*	A23	<i>GA3*</i>
16	GND	DTACK*	AM0	A22	
17	<i>SDBP1</i>	GND	AM1	A21	<i>GA4*</i>
18	GND	AS*	AM2	A20	
19	<i>RSVBUS5</i>	GND	AM3	A19	<i>RSVBU1</i>
20	GND	IACK*	GND	A18	
21	<i>RSVBUS6</i>	IACKIN*	NC	A17	<i>RSVBU2</i>
22	GND	IACKOUT*	NC	A16	
23	<i>RSVBUS7</i>	AM4	GND	A15	<i>RSVBU3</i>
24	GND	A07	IRQ7*	A14	
25	<i>RSVBUS8</i>	A06	IRQ6*	A13	<i>RSVBU4</i>
26	GND	A05	IRQ5*	A12	
27	<i>RSVBUS9</i>	A04	IRQ4*	A11	<i>LI/I*</i>
28	GND	A03	IRQ3*	A10	
29	<i>RSVBUS10</i>	A02	IRQ2*	A09	<i>LI/O*</i>
30	GND	A01	IRQ1*	A08	
31	<i>RSVBUS11</i>	-12V	NC	+12V	GND
32	GND	+5V	+5V	+5V	+5V

Some pins in columns Z and D are use internally as test points, these are denoted by italics. These pins are not intended to drive any external devices and MUST not be used for any purpose.

VMEbus P2 Connector

Pin Number	Row z	Row a	Row b	Row c	Row d
1	SATA_TXP0	Was +5V	+5V	IDERST1*	NC
2	GND	Was +5V	GND	HD0	NC
3	SATA_TXN0	Was +5V	VME_RETRY*	HD1	PSTROBE*
4	GND	RI2	A24	HD2	PPACK*
5	SATA_RXN0	CTS2	A25	HD3	PPBUSY
6	GND	RTS2	A26	HD4	PPE
7	SATA_RXP0	DSR2	A27	HD5	PSELECT
8	GND	GND	A28	HD6	PAUTOFEED*
9	SATA_TXP1	DTR2	A29	HD7	PPERROR*
10	GND	TXD2	A30	HD8	PINIT*
11	SATA_TXN1	RXD2	A31	HD9	PSELIN*
12	GND	DCD2	GND	HD10	PPD(0)
13	SATA_RXN1	AUD_LINE_IN_L	+5V	HD11	PPD(1)
14	GND	AUD_LINE_IN_R	VD16	HD12	PPD(2)
15	SATA_RXP1	AUD_GND	VD17	HD13	PPD(3)
16	GND	AUD_LINE_OUT_L	VD18	HD14	PPD(4)
17	USB1_GND	AUD_LINE_OUT_R	VD19	HD15	PPD(5)
18	GND	PDIAG (1)	VD20	GND	PPD(6)
19	USB1+	GND	VD21	DIOW*	PPD(7)
20	GND	FRWC*	VD22	DIOR*	DAC_RED
21	USB1-	IDX*	VD23	IORDY	DAC_GREEN
22	GND	MO0*	GND	Pulled up to +5V	DAC_BLUE
23	USB1_PWR	HDRQ0*	VD24	IRQ14	DAC_HSYNC
24	GND	FDS0*	VD25	IOCS16* (NC)	DAC_VSYNC
25	USB0_GND	HDAK0*	VD26	DA0	DDC_CLK
26	GND	FDIRC*	VD27	DA1	DDC_DAT
27	USB0+	FSTEP*	VD28	DA2	NC
28	GND	FWD*	VD29	CS1P*	NC
29	USB0-	FWE*	VD30	CS3P*	NC
30	GND	FTK0*	VD31	IDEATP* (NC)	NC
31	USB0_PWR	FWP*	GND	FHS*	GND
32	GND	FRDD*	+5V	DCHG*	+5V

Table 2-17 VMEbus P2 Connector

80pin PCI connector (P3)

The P3, high speed micro-strip connector has all the PCI signals along with 2 separate PCI clocks and the 2 request and grants predefined. The CPU board and the Interface boards will be keyed for either 3.3V or 5V signaling. The keying mechanism is based on standoffs. At this point all CPU boards will be 5V PCI signaling. The V/IO pins on the connector are used to define the signaling level to the other PCI boards. This connector is used to attach the XVME-9076 dual PMC carrier. The XVME-9076 can support one additional carrier module stacked to create a three slot set of boards that can support five PMC cards.

Table 2-18 PCI bus interconnect for optional carrier module

P3 Pin Number	Name	P3 Pin Number	Name
1	TCLK (P.D.)	41	AD(23)
2	TRST* (P.D.)	42	AD(22)
3	TMS (P.U.)	43	AD(21)
4	TDO (NC)	44	AD(20)
5	TDI (P.U.)	45	AD(19)
6	+12v	46	AD(18)
7	+12V	47	AD(17)
8	NC	48	AD(16)
9	NC	49	BE2*
10	-12V	50	FRAME*
11	-12V	51	IRDY*
12	NC	52	TRDY*
13	NC	53	DEVSEL*
14	NC	54	STOP*
15	NC (PCLKS3) (note 1)	55	PLOCK*
16	PIRQA*	56	PERR*
17	PIRQB*	57	SDONE (P.U.)
18	PIRQC*	58	SBO* (P.U.)
19	PIRQD*	59	SERR*
20	REQ3*	60	PAR
21	NC(PCLKS2) (note 1)	61	BE1*
22	REQ1*	62	AD(15)
23	GNT3*	63	AD(14)
24	PCICLK1	64	AD(13)
25	GNT1*	65	AD(12)
26	PCIRST*	66	AD(11)
27	PCICLK0	67	AD(10)
28	GNT0*	68	AD(9)
29	REQ0*	69	AD(8)
30	REQ2*	70	BE0*
31	AD(31)	71	AD(7)
32	AD(30)	72	AD(6)
33	AD(29)	73	AD(5)
34	AD(28)	74	AD(4)
35	AD(27)	75	AD(3)
36	AD(26)	76	AD(2)
37	AD(25)	77	AD(1)
38	AD(24)	78	AD(0)
39	BE3*	79	ACK64* (P.U.)
40	GNT2*	80	REQ64* (P.U.)

Although not shown, the P3 connector supplies Vi/o = +5v, VCC=+5V, and GND through the center pins. Notes: (1) PCICLK2 and PCICLK3 are not supplied by the XVME-6200. These clocks were needed for on board PCI devices and were not used by any currently supported daughtercards.

PMC Host Connectors

PMC Host Connector 1

Table 2-19 XVME-6200 Daughterboard PMC Host Connector 1 Pin out

Pin	Signal	Pin	Signal
1	TCK	33	FRAME*
2	-12V	34	GND
3	GND	35	GND
4	INTA*	36	IRDY*
5	INTB*	37	DEVSEL*
6	INTC*	38	+5V
7	BUSMODE1*	39	GND
8	+5V	40	PLOCK*
9	INTD*	41	SDONE
10	PCI-RSVD14B	42	SBO*
11	GND	43	PAR
12	PCI-RSVD14A	44	GND
13	PCICLK	45	V_I/O
14	GND	46	AD(15)
15	GND	47	AD(12)
16	GNT*	48	AD(11)
17	REQ*	49	AD(9)
18	+5V	50	+5V
19	V_I/O	51	GND
20	PAD(31)	52	C_BE*(0)
21	PAD(28)	53	AD(6)
22	PAD(27)	54	AD(5)
23	PAD(25)	55	AD(4)
24	GND	56	GND
25	GND	57	V_I/O
26	C_BE*(3)	58	AD(3)
27	AD(22)	59	AD(2)
28	AD(21)	60	AD(1)
29	AD(19)	61	AD(0)
30	+5V	62	+5V
31	V_I/O	63	GND
32	AD(17)	64	REQ64*

PMC Host Connector 2

Table 2-201 XVME-6200 PMC Host Connector 2 Pinout

Pin	Signal	Pin	Signal
1	+12V	33	GND
2	TRST*	34	PMC-RSVD_PN2-34
3	TMS	35	TRDY*
4	TDO	36	+3.3V
5	TDI	37	GND
6	GND	38	STOP*
7	GND	39	PERR*
8	PCI-RSVD9A	40	GND
9	PCI-RSVD10B	41	+3.3V
10	PCI-RSVD11A	42	SERR*
11	BUSMODE2* (V_IO)	43	C_BE*(1)
12	+3.3V	44	GND
13	RST*	45	AD(14)
14	BUSMODE3* (GND)	46	AD(13)
15	+3.3V	47	GND
16	BUSMODE4* (GND)	48	AD(10)
17	PCI-RSVD19A	49	AD(8)
18	GND	50	+3.3V
19	AD(30)	51	AD(7)
20	AD(29)	52	PMC-RSVD_PN2-52
21	GND	53	+3.3V
22	PAD(26)	54	PMC-RSVD_PN2-54
23	PAD(24)	55	NC
24	+3.3V	56	GND
25	IDSEL*	57	NC
26	AD(23)	58	NC
27	+3.3V	59	GND
28	AD(20)	60	NC
29	AD(18)	61	ACK64*
30	GND	62	+3.3V
31	AD(16)	63	GND
32	CE_BE*(2)	64	RES (NC)

CPU Fan Power Connector

The fan +12 V and +5 V supplies are protected with a polyswitch. This device will open up if +12 V or +5 V is shorted to GND. Once the shorting condition is removed, the polyswitch will allow current flow to resume.

Table 2-21 CPU Fan Power Connector Pinout

Pin	Signal
1	GND
2	+12V (fused)
3	+5V pullup

Installing the XVME-6200 into a Backplane

This section provides the information necessary to install the XVME-6200 into the VMEbus backplane. The XVME-6200 is a double-high, single-slot VMEbus module.

Note

Xembedded modules are designed to comply with all physical and electrical VMEbus backplane specifications of VME64x.

Note

The XVME-6200 is available from the factory in two basic configurations, with P0 and without P0. The without P0 would normally be used in a legacy system since most of these racks are equipped with a stiffener bar in the P0 location. Also note that to use the extended features of the XVME-6200, the backplane must use 160-pin P1 and P2.

Caution

Do not install the XVME-6200 on a VMEbus system without a P2 backplane.

Warning

Never install or remove any boards before turning off the power to the bus and all related external power supplies.

1. Disconnect all power supplies to the backplane and the card cage. Disconnect the power cable.
2. Make sure backplane (5 rows) 160-pin connectors P1 and P2 are available.
3. Verify that all jumper settings are correct.
4. Verify that the card cage slot is clear and accessible.
5. Install the XVME-6200 in the card cage by centering the unit on the plastic guides in the slots (P1 connector facing up). Push the board slowly toward the rear of the chassis until the P1 and P2 connectors engage. The board should slide freely in the plastic guides.

Caution

Do not use excessive force or pressure to engage the connectors. If the boards do not properly connect with the backplane, remove the module and inspect all connectors and guide slots for damage or obstructions.

6. Secure the module to the chassis by tightening the machine screws at the top and bottom of the board.
7. Connect all remaining peripherals by attaching each interface cable into the appropriate connector on the front of the XVME-6200 board as shown in Table 2-.

8. Turn on power to the VMEbus card cage.

Table 2-22 Front Panel Connector Labels

Connector	Label
Keyboard/Mouse	KEYBD/ MOUSE
Display cable	VGA
USB cable	USB
Ethernet cable	10/100/1000T
Serial devices	COM 1, COM 3
Parallel device	LPT1
PMC card	PMC

Note

The floppy drive and hard drive are either cabled across P2 to an XVME-977 or an XVME-979 mass storage module, or they are connected to the XVME-990/1 or XVME-990/2 board. Refer to Chapter 5 for more information on the XVME-990.

Enabling the PCI Ethernet Controller

Loading the Ethernet Driver

To enable the Ethernet controller, you must load the applicable Ethernet driver for your operating system from the Documentation and Support Library CD included with the XVME-6200. For best results, always use the supplied drivers.

Ethernet RJ-45 10/100/1000 BaseT Connector (P12)

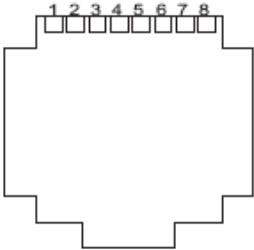


Table 2-23 RJ-45 10/100/1000 BaseT Connector Pin out

Pin	Signal
1	TX+
2	TX-
3	RX+
4	GND
5	GND
6	RX-
7	GND
8	GND

Chapter 3 BIOS Setup Menus

The XVME-6200 customized BIOS is designed to surpass the functionality provided for normal PCs. The custom BIOS allow access the value-added features on the XVME-6200 module without interfacing to the hardware directly. Use the BIOS setup to control the two Gigabyte Ethernet ports to front or rear (Vita 31.1 or rear Ethernet (XVME-990 required) connectors. Use the setup to select front or rear Video output XVME-990 is required for this connection.

Chapter 4 Programming

Memory Map

The preliminary memory map of the XVME-6200 as seen by the CPU is shown below. The I/O designation refers to memory which is viewed as part of the AT bus or as part of VMEbus depending on how the Universe is programmed.

XVME-6200 MEMORY MAP

*See Intel 6300ESB data sheet for a description for optional settings for setting memory holes or gaps within Memory map area

**The PCI devices are located at the very top of memory just below the system BIOS.

I/O Map

This Preliminary I/O map for the XVME-6200 contains I/O ports of the IBM AT architecture plus some additions for PCI I/O registers and Xembedded specific I/O registers.

Hex Range	Device
000-01F	DMA controller 1, 8237A-5 equivalent
020-021	Interrupt controller 1, 8259 equivalent
022-023	Available
025-02F	Interrupt controller 1, 8259 equivalent (note 3)
040-05F	Timer, 8254-2 equivalent
060-06F	8742 equivalent (keyboard)
070-07F	Real Time Clock bit 7 NMI mask (note 3)
080-091	DMA page register (note 3)
92	Fast GateA20 and Fast CPU Init
93-9F	DMA page register (note 3)
0A0-0BF	Interrupt controller 2, 8259 equivalent (note 3)
0C0-0DF	DMA controller 2, 8237A-5 equivalent (note 3)
0F0	N/A
0F1	N/A
0F2-0FF	N/A

170-177	Secondary IDE Controller (Generates CS1*)
1F0-1F7	Primary IDE Controller (Generates CS1*)
219	Xembedded LED control register
234	Byte Swap port
235-277	Available
278-27F	Parallel Port 2 (note 1)
280-2F7	Available
2F8-2FF	Serial Port 2 (note 1)
300-36F	Available
376	Secondary IDE Controller (Generates CS3*)
378-37F	Parallel Port 1 (note 1)
380-3BF	Available
3C0-3DF	VGA/EGA2
3E0-3EF	Available
3F0-3F5	Primary Floppy disk controller
3F6	Primary IDE Controller (Generates CS3*)
3F8-3FF	Serial port 1 (note 1)
400-47F	Industry Pack (IP) I/O
480-4BF	Industry Pack (IP) ID
4D0h	ELCR1 (Edge or level triggered)
4D1h	ELCR2 (Edge or level triggered)
CF8	PCI configuration address register (note 4)
CF9	Reset Control Register
CFC	PCI configuration data register (note 4)

Note 1: The serial and parallel port addresses may be changed or the port may be disabled. Therefore these addresses may be used for some applications and not for others.

Note 2: Reference the Intel 7520 datasheet for detailed information.

Note 3: Reference the Intel 6300ESB datasheet for detailed information.

Note 4: Reference "The PCI local bus specification rev 2.3", 6300ESB datasheet for PCI configuration information.

IRQ Map

INT#	Function
IRQ0	System Timer
IRQ1	Keyboard
IRQ2	Interrupt Cascade (reserved)
IRQ3	COM2
IRQ4	COM1
IRQ5	Ethernet 1
IRQ5	PCI Expansion to PMC 2
IRQ6	Floppy
IRQ7	Parallel Port (LPT1)
IRQ8	Real Time Clock
IRQ9	Universe IID
IRQ9	PCI-X Video
IRQ10	Onboard PMC-X
IRQ11	PCI Expansion to PMC 1
IRQ11	Ethernet 2
IRQ12	Mouse
IRQ13	Math Coprocessor (reserved)
IRQ14	Primary IDE
IRQ15	Secondary IDE

The above interrupt mapping is one possible scenario. The user or operating system may choose a different mapping for some of these interrupts based on what devices are actually in the system and require interrupts. If COM2 or LPT1 are not used, then these would free up IRQ3 and IRQ7 respectively.

PCI Device Map -

VME Interface

The VME interface is the Tundra Universe IID chip, which is a PCI bus-to-VMEbus bridge device. The XVME-6200 implements a 32-bit PCI bus and a 32/64-bit VMEbus interface. The Universe chip configuration registers are located in a 4 KB block of PCI memory space. This memory location is programmable and defined by PCI configuration cycles. The VMEbus controller has four main functions; System Resources or the “traffic cop of the bus” Master interface which “starts conversation on the bus”, Slave interface which responds to a bus master’s question, and the interrupt functions which uses seven (7) levels of interrupt control.

Note

For your frame of reference, the left side below is the XVME-6200 board and the right side below is the VMEbus.

PCI memory slave access = VMEbus master access

PCI memory master access = VMEbus slave access

System Resources

The XVME-6200 automatically provides slot 1 system resource functions (also referenced as SysCon) if the Bus Grant 3 jumpers are set correctly on the VMEbus backplane. The system resource functions are explained in the Universe manual. (Contact Tundra at www.tundra.com for a PDF version of the Universe manual.) This function can be disabled using the XVME-6200’s jumper J3. See **Jumper Settings** in Chapter 2 (p. 2-2).

VMEbus Master Interface

The XVME-6200 can be either a VMEbus master by accessing a **PCI slave** channel or the DMA channel initiates a transaction. There are 8 PCI slave images. The first PCI slave image has a 4K resolution the other have 64K resolution. The master can generate A16, A24, A32 VMEbus cycles for each PCI slave image. The address mode and type are also programmed on a PCI slave image basis. The PCI memory address location for the VMEbus master cycle is specified by the Base and Bound address. The VME address is calculated by adding the Base address to the Translation offset address. All PCI slave images are located in the PCI bus Memory Space. The master cycles are all byte swapped maintaining address coherency.

Caution: PCI slave images mapped to a system DRAM area will access the system DRAM not the PCI slave image. Also the Universe configuration register has a higher priority than the PCI slave images. This means if the PCI slave image and the Universe configuration registers are mapped in to the same memory area the configuration registers will take precedence.

VMEbus Slave Interface

The XVME-6200 can be either a VMEbus slave by being accessing a VMEbus slave image or the DMA channel initiates a transaction. There are eight PCI slave images. The first slave image has a 4K resolution the others (2-4,6-8) have 64K resolution. Slave images 1-8 have been implemented on the XVME-6200. The slave can respond to A16, A24, A32 VMEbus cycles for each VMEbus slave

image. The address mode and type are also programmed on a VMEbus slave image basis. The VMEbus memory address location for the VMEbus slave cycle is specified by the Base and Bound address. The PCI address is calculated by adding the Base address to the Translation offset address.

The XVME-6200 DRAM memory is based on the PC/AT architecture and is not contiguous. The VMEbus Slave Images may be setup to allow this DRAM to appear as one Contiguous block. The first VMEbus slave Image must have Base and Bound register set to 640K.

(Example: VMEbus Slave Image 0 BS= 0000000h BD= A0000h TO = 0000000h)

The second VMEbus Slave Image must have the Base register set to be contiguous with the Bound register from the first VMEbus Slave Image. The Bound register is limited by the Total XVME-6200 DRAM. The Translation Offset register is offset by 384K which is equivalent to the A0000h-FFFFFh range on the XVME-6200 board.

(Example: VMEbus Slave Image 1 BS=A0000h BD= 400000h TO = 060000h)

This rather awkward mapping defined by the PC/AT architecture can also be over come if the VMEbus Slave Image window is always configured with a 1Mbyte Translation Offset. From a user and software standpoint this is always more desirable because the interrupt vector table, system parameters, and communication buffers (keyboard) are placed in low DRAM. This provides for more system protection.

Caution: When setting up slave images the address and other parameters should be set first. Then only after the VMEbus slave image is set up correctly should the VMEbus slave image be enabled. If a slave image is going to be remapped disable the slave image first then reset the address. After the image is configured correctly enable the image again.

The VMEbus slave cycle becomes a master cycle on the PCI bus. The PCI bus arbiter is the 6300ESB chip. It arbitrates between the various PCI masters, the Pentium, and the Local bus IDE bus mastering controller. Because the VMEbus can not be retried, all VMEbus slave cycles must be allowed to be processed. This becomes a problem when a Pentium cycle to the PCI slave image is in progress while a VMEbus slave cycle to the onboard DRAM is in progress. The Pentium cycle will not give up the PCI bus and the VMEbus slave cycle will not give up the VMEbus thus the XVME-6200 becomes deadlocked. If the XVME-6200 is to be used as a master and a slave at the same time, the VMEbus master cycles must obtain the VMEbus prior to initiating VMEbus cycles.

All Slave interface cycles are byte swapped to maintain address coherency.

VMEbus Interrupt Handling

The XVME-6200 can service IRQ[7:1]. A register in the Universe enables which interrupt levels will be serviced by the XVME-6200. When a VMEbus IRQ is asserted the Universe requests the VMEbus and generates an IACK cycle. Once the IACK cycle is complete a PCI bus interrupt is generated to allow the proper ISR(Interrupt service routine) to be executed. The Universe connects to all 4 PCI bus interrupts. These interrupts may be shared by other PCI bus devices. The BIOS maps the PCI bus interrupts to the AT-bus Interrupt controllers. The AT-bus interrupts must be uniquely mapped to each device.

Because the PCI devices share interrupt lines, all ISR routines must be prepared to chain the interrupt vector to allow the other devices to be serviced.

Note: The 6300ESB allows multiple PCI bus Interrupts to be mapped to one AT-bus interrupt.

Example: In the BIOS setup menu map the VMEbus IRQ(1) to PCI IRQ(11).

VMEbus Interrupt Generation

The XVME-6200 can generate VMEbus interrupts on all 7 levels. There is a unique STATUS/ID associated with each level. The upper bits are programmed in the STATUS/ID register. The lowest bit is cleared if the source of the interrupt is a software Interrupt, and set for all other interrupt sources. Consult the Universe Users Manual for a more in depth explanation.

VMEbus Reset Options

When the front panel **Reset** switch is toggled, the XVME-6200 can perform the following reset options:

1. Reset the VME backplane only.
2. Reset the XVME-6200 CPU only.
3. Reset both.
4. Reset neither.

See **Switch Settings** in section 3 of this manual for information on how to configure SW1 for the **Reset** options.

Software-Selectable Byte-Swapping Hardware

The VMEbus can be used to communicate to either Intel based modules or a Motorola based modules, these two companies have created data transaction that use different byte ordering in their data storage. A hardware approach to swapping these byte orders is a faster solution when compared to a software only byte swapping method. Software selectable byte-swapping hardware is integrated into the XVME-6200 to allow for the difference between the Intel and Motorola byte-ordering schemes, allowing easy communication over the VMEbus. The byte-swapping package incorporates several buffers either to pass data straight through or to swap the data bytes as they are passed through.

Note

The configurable byte-swapping hardware does not support 64-bit byte-swapping. If needed, this should be implemented through software.

Byte-Ordering Schemes

The Motorola family of processors stores data with the least significant byte located at the highest address and the most significant byte at the lowest address. This is referred to as a big-endian bus and is the VMEbus standard. The Intel family of processors stores data in the opposite way, with the least significant byte located at the lowest address and the most significant byte located at the highest address. This is referred to as a little-endian (or PCI) bus. This fundamental difference is illustrated in Figure 4-1, which shows a 32-bit quantity stored by both architectures, starting at address *M*.



Figure 4-1 Byte Ordering Schemes

Note

The two architectures differ only in the way in which they store data into memory, not in the way in which they place data on the shared data bus.

The XVME-6200 contains a Universe chip that performs address-invariant translation between the PCI bus (Intel architecture) and the VMEbus (Motorola architecture), and byte-swapping hardware to reverse the Universe chip byte-lane swapping. (Contact Tundra at www.tundra.com for a PDF version of the Universe manual.) Figure 4-2 shows address-invariant translation between a PCI bus and a VMEbus.

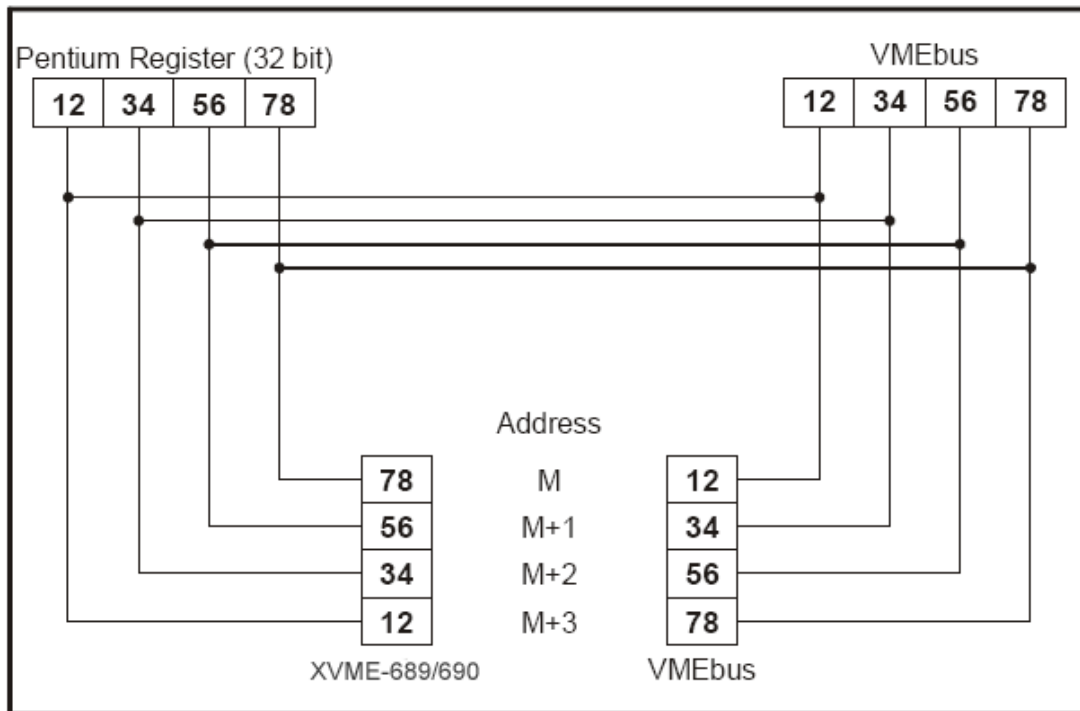


Figure 4-2 Address-Invariant Translation

Notice that the internal data storage scheme for the PCI (Intel) bus is different from that of the VME (Motorola) bus. For example, the byte **7 8** (the least significant byte) is stored at location *M* on the PCI machine while the byte **7 8** is stored at the location *M+3* on the VMEbus machine. Therefore, the data bus connections between the architectures must be mapped correctly.

Numeric Consistency

Numeric consistency, or data consistency, refers to communications between the XVME-6200 and the VMEbus in which the byte-ordering scheme described above is maintained during the transfer of a 16-bit or 32-bit quantity. Numeric consistency is achieved by setting the XVME-6200 buffers to pass data straight through, which allows the Universe chip to perform address-invariant byte-lane swapping. Numeric consistency is desirable for transferring integer data, floating-point data, pointers, etc. Consider the long word value **1 2 3 4 5 6 7 8 h** stored at address *M* by both the XVME-6200 and the VMEbus, as shown in Figure 4-3.

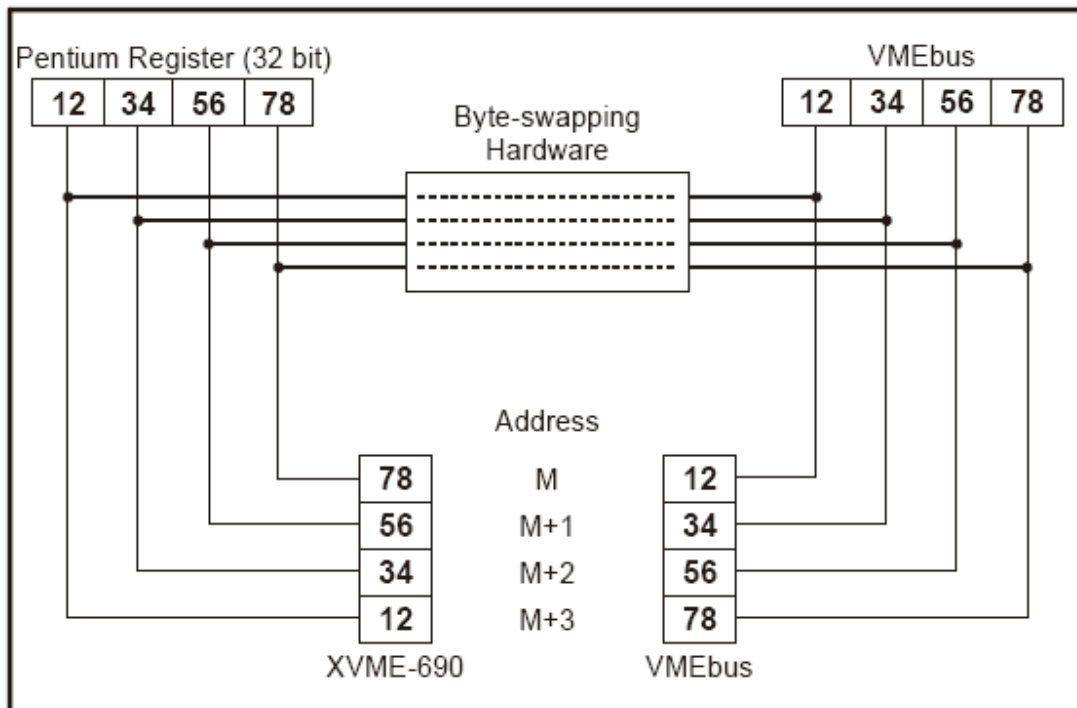


Figure 4-3 Maintaining Numeric Consistency

Due to the Universe chip, the data must be passed straight through the byte-swapping hardware. To do this, maintaining numeric consistency, enable the straight-through buffers by setting bits 6 and 7 of the Flash Paging and Byte Swap register (register 234h) to 1 (see p. 2-5).

Note

With the straight-through buffers enabled, the XVME-6200 does not support unaligned transfers. Sixteen-bit or 32-bit transfers must have an even address.

Address Consistency

Address consistency, or address coherency, refers to communications between the XVME-6200 and the VMEbus in which both architectures' addresses are the same for each byte. In other words, the XVME-6200 and the VMEbus memory images appear the same. Address consistency is desirable for byte-oriented data such as strings or video image data. Consider the example of transferring the string `T e x t` to the VMEbus memory using a 32-bit transfer in Figure 4-4.

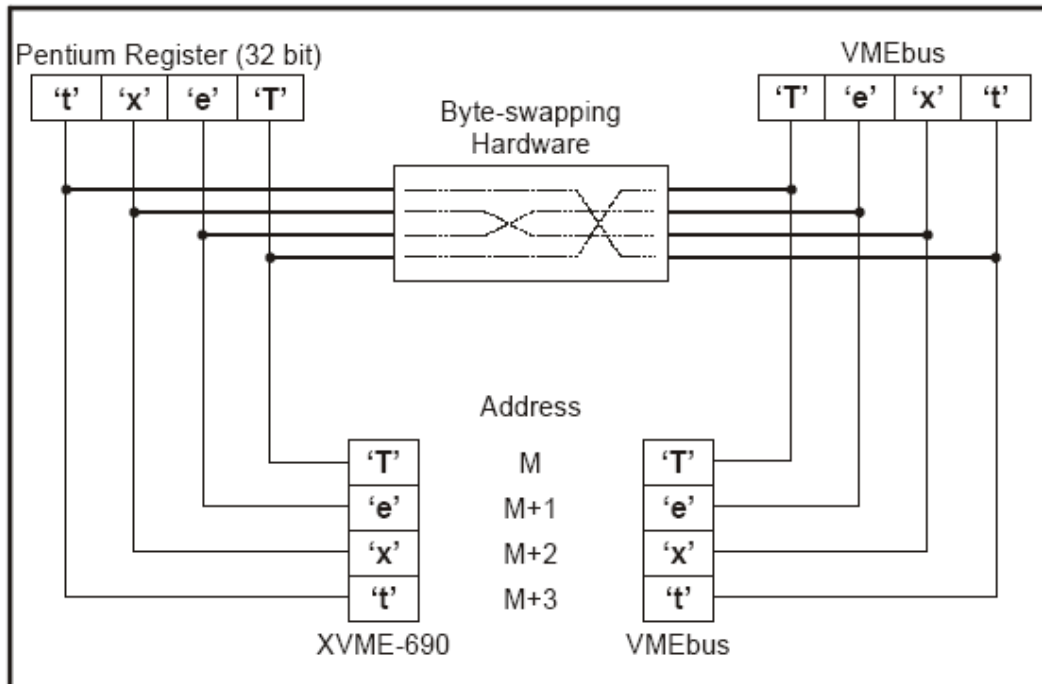


Figure 4-4 Maintaining Address Consistency

Notice that the data byte at each address is identical. To achieve this, the data bytes need to be swapped as they are passed from the PCI bus to the VMEbus. To maintain address consistency, enable the byte-swapping buffers by setting bits 6 and 7 of the Flash Paging and Byte Swap register (register 234h) to 0 (see p. 2-5).

Chapter 5 XVME-990 Rear Transition Module

The XVME-990 rear transition module is available in two configurations, a XVME-990/1 (with the P0 connector and the User I/O connector) and a XVME-990/2 (without the P0 connector and the User I/O connector). This module can be used to connect to external (not in the rack) hard drive/floppy drives or to the XVME-977 or XVME-979 mass storage units. Please consult the separate XVME-977 and XVME-979 manuals for more information on those products.

It should be noted that the XVME-973 and XVME-974 rear transition modules can be used with the XVME-6200. If one of these RTMs are used with the XVME-6200, some functions normally available at the rear or will not be available.

The XVME-990 Drive Adapter Module is used to connect an external DVD, CD-ROM or hard drive and a floppy drive or use the SATA interface to your XVME-6200 module. It has a single edge connector, labeled P2 which connects to the P2 backplane connector on the rear of the VME chassis.

Figure 5-1 illustrates how to connect the XVME-990 to the VME chassis backplane P2 connector.

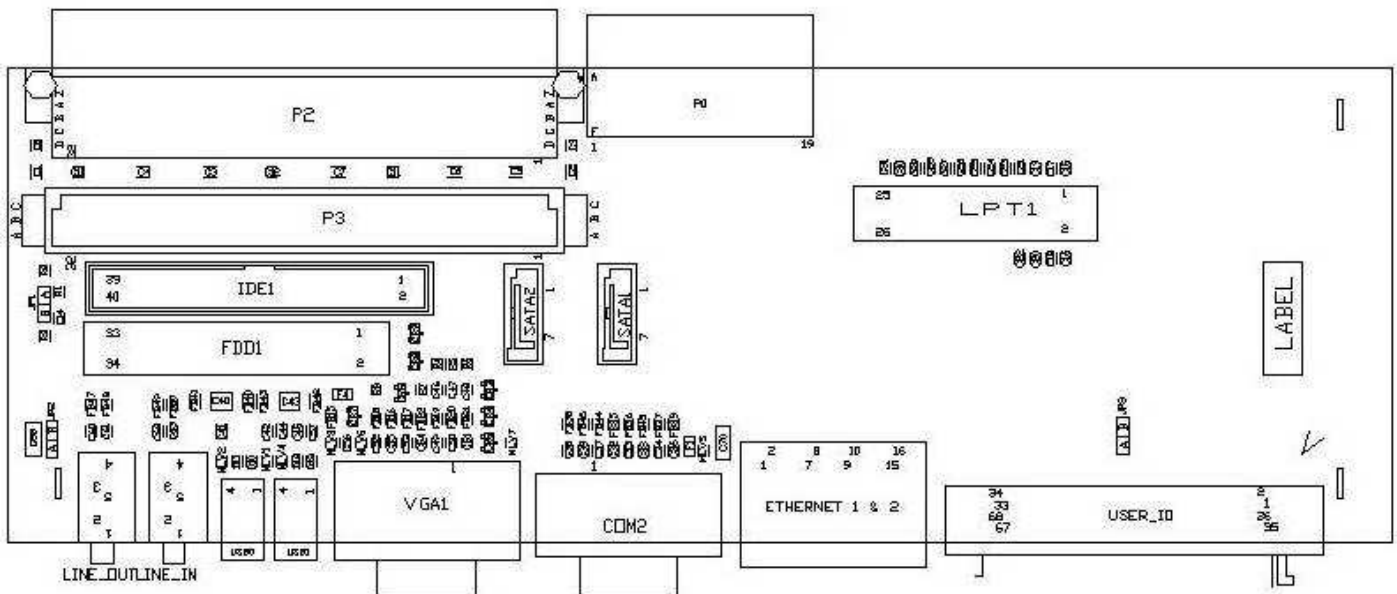


Figure 5-1 XVME-990/X Installation (XVME-990-001 shown)

The XVME-990/X module has two connectors on it for the connection of up to two IDE hard drives and one 3.5" floppy drive. Pin outs for all of the connectors are in this chapter.

Similarly, the IDE1 connector connects one or two standard hard drives. The connector IDE1 uses a standard 80-conductor-40pin EIDE cable. This cable can not exceed a cable length of 12”.

Connectors

This section describes the pin outs for each of the fifth teen connectors on the XVME-990/X.

IDE1 Connector

The P1 connector connects up to two EIDE hard drives. Power for the drives is *not* supplied by the XVME-990/X.

Table 5-1 XVME-990 IDE1 Connector Pin out

Pin	Signal	Pin	Signal
1	HDRESET*	21	HDRQ
2	GND	22	GND
3	HD7	23	DIOW*
4	HD8	24	GND
5	HD6	25	DIOR*
6	HD9	26	GND
7	HD5	27	IORDY
8	HD10	28	ALE
9	HD4	29	HDACK*
10	HD11	30	GND
11	HD3	31	IRQ14
12	HD12	32	IOCS16*
13	HD2	33	DA1
14	HD13	34	NC
15	HD1	35	DA0
16	HD14	36	DA2
17	HD0	37	CS1P*
18	HD15	38	CS3P*
19	GND	39	IDEATP*
20	KEY (NC)	40	GND

Caution

The IDE controller supports enhanced PIO modes, which reduce the cycle times for 16-bit data transfers to the hard drive. Check with your drive manual to see if the drive you are using supports these modes. The higher the PIO mode, the shorter the cycle time. As the IDE cable length increases, this reduced cycle time can lead to erratic operation. As a result, it is in your best interest to keep the IDE cable as short as possible.

The PIO modes can be selected in the BIOS setup. The Auto configuration will attempt to classify the connected drive if the drive supports the auto ID command. If you experience problems, change the **Transfer Mode** to *Standard*.

Caution

The total cable length for EIDE drives must not exceed 12 inches. Also, if two drives are connected, they must be no more than six inches apart.
Use the SATA drive interface if longer cabling is required.

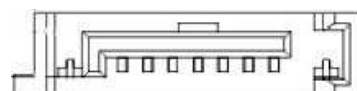
Serial ATA hard drive Interface

The use of the XVME-990 rear transition module, allows for connection to one or two SATA-150 drives

Table 5-2 shows pin out of SATA interface.

VMEbus P2 Pin Row z	Signal Name on P2	SATA connector on the xvme-990	SATA Signal Name
Z1	SATA_TXP0	SATA1 pin-2	Transmit +
Z2	GND	SATA1 pin-1	GND
Z3	SATA_TXN0	SATA1 pin-3	Transmit -
Z4	GND	SATA1 pin-4	GND
Z5	SATA_RXN0	SATA1 pin-5	Receive +
Z6	GND	SATA1 pin-7	GND
Z7	SATA_RXP0	SATA1 pin-6	Receive -
Z8	GND		
Z9	SATA_TXP1	SATA2 pin-2	Transmit +
Z10	GND	SATA2 pin-1	GND
Z11	SATA_TXN1	SATA2 pin-3	Transmit -
Z12	GND	SATA2 pin-4	GND
Z13	SATA_RXN1	SATA2 pin-5	Receive +
Z14	GND	SATA2 pin-7	GND
Z15	SATA_RXP1	SATA2 pin-6	Receive -

Fig. 5-2 SATA connector



The mating connector on the XVME-990 is Molex 67489-9005

P2 Connector

The XVME-990 P2 connector connects directly to the XVME-6200 P2 connector through the VME chassis backplane. If the backplane used is NOT a 5-row/160-pin connector type of back plane, the outer rows of signals will not connect to the functions of the XVME-990 and therefore will not be available.

Table 5-3 XVME-990 P2 Connector Pin out

Pin Number	Row z	Row a	Row b	Row c	Row d
1	SATA_TXP0	-	+5V	IDERST1*	NC
2	GND	-	GND	HD0	NC
3	SATA_TXN0	-	VME_RETRY*	HD1	PSTROBE*
4	GND	RI2	A24	HD2	PPACK*
5	SATA_RXN0	CTS2	A25	HD3	PPBUSY
6	GND	RTS2	A26	HD4	PPE
7	SATA_RXP0	DSR2	A27	HD5	PSELECT
8	GND	GND	A28	HD6	PAUTOFEED*
9	SATA_TXP1	DTR2	A29	HD7	PPERROR*
10	GND	TXD2	A30	HD8	PINIT*
11	SATA_TXN1	RXD2	A31	HD9	PSELIN*
12	GND	DCD2	GND	HD10	PPD(0)
13	SATA_RXN1	AUD_LINE_IN_L	+5V	HD11	PPD(1)
14	GND	AUD_LINE_IN_R	VD16	HD12	PPD(2)
15	SATA_RXP1	AUD_GND	VD17	HD13	PPD(3)

Rear Transition Module

16	GND	AUD_LINE_OUT_L	VD18	HD14	PPD(4)
17	USB1_GND	AUD_LINE_OUT_R	VD19	HD15	PPD(5)
18	GND	DMA66/PDIAG	VD20	GND	PPD(6)
19	USB1+	GND	VD21	DIOW*	PPD(7)
20	GND	FRWC*	VD22	DIOR*	DAC_RED
21	USB1-	IDX*	VD23	IORDY	DAC_GREEN
22	GND	MO0*	GND	Pulled up to +5V	DAC_BLUE
23	USB1_PWR	HDRQ0*	VD24	IRQ14	DAC_HSYNC
24	GND	FDS0*	VD25	IOCS16* (NC)	DAC_VSYNC
25	USB0_GND	HDAK0*	VD26	DA0	DDC_CLK
26	GND	FDIRC*	VD27	DA1	DDC_DAT
27	USB0+	FSTEP*	VD28	DA2	NC
28	GND	FWD*	VD29	CS1P*	NC
29	USB0-	FWE*	VD30	CS3P*	NC
30	GND	FTK0*	VD31	IDEATP* (NC)	NC
31	USB0_PWR	FWP*	GND	FHS*	GND
32	GND	FRDD*	+5V	DCHG*	+5V

P3 Interconnect connector

The P3 connector on the XVME-990 is used to pass the P2 signals through to an adjacent XVME-977 or XVME-979 drive card. It has the same pin out as rows A, B, and C of P2. The required interconnect 64-pin cable is included with the XVME-977 or XVME-979 modules. Note since the cable is only 64-pins, the row-b of this connector is not carried across but is based on the VMEbus back plane.

Table 5-4 shows pin out of the interconnect of VMEbus P2 to P3.

Pin Number	Row a	Row b	Row c
1		+5V	IDERST1*
2		GND	HD0
3		VME_RETRY*	HD1
4	RI2	A24	HD2
5	CTS2	A25	HD3
6	RTS2	A26	HD4
7	DSR2	A27	HD5
8	GND	A28	HD6
9	DTR2	A29	HD7
10	TXD2	A30	HD8
11	RXD2	A31	HD9
12	DCD2	GND	HD10
13	AUD_LINE_IN_L	+5V	HD11
14	AUD_LINE_IN_R	VD16	HD12
15	AUD_GND	VD17	HD13
16	AUD_LINE_OUT_L	VD18	HD14
17	AUD_LINE_OUT_R	VD19	HD15
18	DMA66/PDIAG	VD20	GND
19	GND	VD21	DIOW*
20	FRWC*	VD22	DIOR*
21	IDX*	VD23	IORDY
22	MO0*	GND	Pulled up to +5V
23	HDRQ0*	VD24	IRQ14
24	FDS0*	VD25	IOCS16* (NC)
25	HDAK0*	VD26	DA0
26	FDIRC*	VD27	DA1
27	FSTEP*	VD28	DA2
28	FWD*	VD29	CS1P*
29	FWE*	VD30	CS3P*
30	FTK0*	VD31	IDEATP* (NC)

31	FWP*	GND	FHS*
32	FRDD*	+5V	DCHG*

FDD1 Connector

FDD1 connects a single 3.5" floppy drive. Only one drive is supported. Power for this external drive is *not* supplied by the XVME-990.

Table 5-5 XVME-990 FDD1 Connector Pin out

Pin	Signal	Pin	Signal
1	GND	18	FDIRC*
2	FRWC*	19	GND
3	GND	20	FSTEP*
4	NC	21	GND
5	KEY (NC)	22	FWD*
6	NC	23	GND
7	GND	24	FWE*
8	IDX*	25	GND
9	GND	26	FTK0*
10	MO1*	27	GND
11	GND	28	FWP*
12	NC	29	GND
13	GND	30	FRDD*
14	FDS1*	31	GND
15	GND	32	FHS*
16	NC	33	GND
17	GND	34	DCHG*

IDE1 Connector

IDE1 connects up to two hard drives, primary master and slave. Power for the drives is not supplied by the XVME-990.

Table 5-6 XVME-990 IDE1 Connector Pin out

Pin	Signal	Pin	Signal
1	HDRSTDRV*	23	DIOW*
2	GND	24	GND
3	HD7	25	DIOR*
4	HD8	26	GND
5	HD6	27	IORDY
6	HD9	28	ALE
7	HD5	29	HDACK*
8	HD10	30	GND
9	HD4	31	IRQ14
10	HD11	32	IOCS16*
11	HD3	33	DA1
12	HD12	34	NC
13	HD2	35	DA0
14	HD13	36	DA2
15	HD1	37	CS1P*
16	HD14	38	CS3P*
17	HD0	39	IDEATP*
18	HD15	40	GND
19	GND	41	-
20	NC	42	-
21	HDRQ	43	GND
22	GND	44	NC

Caution

It is recommended that only an 80-conductor, 40-pin EIDE cable is used with the XVME-6200. This cable type has additional ground planes that can handle the faster interface speeds. Intermittent hard drive functions can be traced back to the use of a standard 40-conductor, 40-pin cable.

The IDE controller supports enhanced PIO modes, which reduce the cycle times for 16-bit data transfers to the hard drive. Check with your drive manual to see if the drive you are using supports these modes. The higher the PIO mode, the shorter the cycle time. As the IDE cable length increases, this reduced cycle time can lead to erratic operation. As a result, it is in your best interest to keep the IDE cable as short as possible.

The PIO modes can be selected in the BIOS setup. The Auto configuration will attempt to classify the connected drive if the drive supports the auto ID command. If you experience problems, change the **Transfer Mode** to *Standard*.

Caution

The total cable length must not exceed 12 inches. Also, if two drives are connected, they must be no more than six inches apart.

USB Port Connector

USB provides an expandable, hot-pluggable Plug and Play serial interface that ensures a standard, low-cost connection for peripheral devices. Devices suitable for USB range from simple input devices such as keyboards, mice, and joysticks, to advanced devices such as printers, scanners, storage devices, modems, and video conferencing cameras. USB 2.0 has a raw data rate at 480Mbps, and it is rated 40 times faster than its predecessor interface, USB 1.1, which tops at 12Mbps.

USB port 1 is available on the front panel using a standard connector as shown in Figure 2-10 below. The other two USB ports USB-2 and 3, are routed out the VMEbus P2 connector and can be accessed either directly off the VMEbus P2 connector using the pin assignment shown in Fig 5-3 and table 5-4.

The USB +5 V supplies are protected with a polyswitch. This device will open up if +5 V is shorted to GND. Once the shorting condition is removed, the polyswitch will allow current flow to resume.



Figure 5-3 showing the USB connector.

Table 5-7 USB Port Connector Pin out

Pin	Signal
1	+5V
2	USBP0-
3	USBP0+
4	GND
5	
6	

Table 5-8 USB Port Connector Pin out from P2

VMEbus P2	Signal Name
P2-row-z 17	USB3_GND
P2-row-z 18	GND
P2-row-z 19	USB3+
P2-row-z 20	GND
P2-row-z 21	USB3-
P2-row-z 22	GND
P2-row-z 23	USB3_PWR
P2-row-z 24	GND
P2-row-z 25	USB2_GND
P2-row-z 26	GND
P2-row-z 27	USB2+
P2-row-z 28	GND
P2-row-z 29	USB2-
P2-row-z 30	GND
P2-row-z 31	USB2_PWR
P2-row-z 32	GND

P0 VMEbus connector

This connector is used to distribute the on-board PMC rear I/O and the rear Ethernet ports (if Vita 31.1 is not in use).

Table 5-9 showing pin out of the VMEbus P0.

Pin Number	Row A	Row B	Row C	Row D	Row E	Row F
1	NC	NC	NC	NC	NC	GND
2	MDIAX0+	MDIAX0-	GND	MDIAX2+	MDIAX2-	GND
3	MDIAX1+	MDIAX1-	GND	MDIAX3+	MDIAX3-	GND
4	MDIBX0+	MDIBX0-	GND	MDIBX2+	MDIBX2-	GND
5	MDIBX1+	MDIBX1-	GND	MDIBX3+	MDIBX3-	GND
6	NC	NC	NC	NC	NC	GND
7	PMC_IO5	PMC_IO4	PMC_IO3	PMC_IO2	PMC_IO1	GND
8	PMC_IO10	PMC_IO9	PMC_IO8	PMC_IO7	PMC_IO6	GND
9	PMC_IO15	PMC_IO14	PMC_IO13	PMC_IO12	PMC_IO11	GND
10	PMC_IO20	PMC_IO19	PMC_IO18	PMC_IO17	PMC_IO16	GND
11	PMC_IO25	PMC_IO24	PMC_IO23	PMC_IO22	PMC_IO21	GND
12	PMC_IO30	PMC_IO29	PMC_IO28	PMC_IO27	PMC_IO26	GND
13	PMC_IO35	PMC_IO34	PMC_IO33	PMC_IO32	PMC_IO31	GND
14	PMC_IO40	PMC_IO39	PMC_IO38	PMC_IO37	PMC_IO36	GND
15	PMC_IO45	PMC_IO44	PMC_IO43	PMC_IO42	PMC_IO41	GND
16	PMC_IO50	PMC_IO49	PMC_IO48	PMC_IO47	PMC_IO46	GND
17	PMC_IO55	PMC_IO54	PMC_IO53	PMC_IO52	PMC_IO51	GND
18	PMC_IO60	PMC_IO59	PMC_IO58	PMC_IO57	PMC_IO56	GND
19	NC	PMC_IO64	PMC_IO63	PMC_IO62	PMC_IO61	GND

USER_I/O Connector

This is a 68-pin SCSI type connector that brings out the rear PMC site I/O from the XVME-6200 PMC site to the P0 to the XVME-990, P0 to this USER_I/O.

Table 5-10 Showing pin out of the User I/O connector.

Pin Number	Signal Name	Pin Number	Signal Name
1	PMC-I/O 1	35	PMC-I/O 2
2	PMC-I/O 3	36	PMC-I/O 4
3	PMC-I/O 5	37	PMC-I/O 6
4	PMC-I/O 7	38	PMC-I/O 8
5	PMC-I/O 9	39	PMC-I/O 10
6	PMC-I/O 11	40	PMC-I/O 12
7	PMC-I/O 13	41	PMC-I/O 14
8	PMC-I/O 15	42	PMC-I/O 16
9	PMC-I/O 17	43	PMC-I/O 18
10	PMC-I/O 19	44	PMC-I/O 20
11	PMC-I/O 21	45	PMC-I/O 22
12	PMC-I/O 23	46	PMC-I/O 24
13	PMC-I/O 25	47	PMC-I/O 26
14	PMC-I/O 27	48	PMC-I/O 28
15	PMC-I/O 29	49	PMC-I/O 30
16	PMC-I/O 31	50	PMC-I/O 32
17	PMC-I/O 33	51	PMC-I/O 34
18	-	52	PMC-I/O -
19	GND using jumper	53	GND using jumper
20	PMC-I/O 35	54	PMC-I/O 36

21	PMC-I/O 37	55	PMC-I/O 38
22	PMC-I/O 39	56	PMC-I/O 40
23	PMC-I/O 41	57	PMC-I/O 42
24	PMC-I/O 43	58	PMC-I/O 44
25	PMC-I/O 45	59	PMC-I/O 46
26	PMC-I/O 47	60	PMC-I/O 48
27	PMC-I/O 49	61	PMC-I/O 50
28	PMC-I/O 51	62	PMC-I/O 52
29	PMC-I/O 53	63	PMC-I/O 54
30	PMC-I/O 55	64	PMC-I/O 56
31	PMC-I/O 57	65	PMC-I/O 58
32	PMC-I/O 59	66	PMC-I/O 60
33	PMC-I/O 61	67	PMC-I/O 62
34	PMC-I/O 63	68	PMC-I/O 64

Ethernet RJ-45

Two Gigabyte Ethernet ports are available on the XVME-990. If the VMEbus has Vita 31.1 Capability, the rear Ethernet ports can not be used, they will conflict with the VMEbus switch fabric connections on the back plane.

Fig. 5-4 RJ-45 Connector.

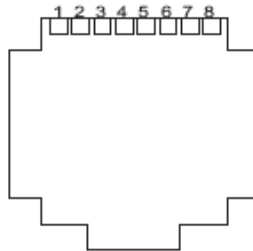


Table 5-11 RJ-45 10/100/1000 Base T Connector Pin out

Pin	Signal
1	TX+
2	TX-
3	RX+
4	GND
5	GND
6	RX-
7	GND
8	GND

COM 2

Communications port 2 is a RS-232 serial communication port using a standard DB-9 connector.

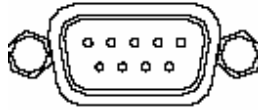


Figure 5-5 Com-2 DB-9

Table 5-12 Showing pin out of DB-9 to VMEbus P2

DB-9 Pin Location	Signal Name	VMEbus P2 Pin Location
1	DCD2	Row a-12
2	RXD2	Row a-11
3	TXD2	Row a-10
4	DTR2	Row a-9
5	GND	Row a-8
6	DSR2	Row a-7
7	RTS2	Row a-6
8	CTS2	Row a-5
9	RI2	Row a-4

VGA Connector

The video is BIOS selectable and is available on either the front panel or out the VMEbus P2. The table below shows the pin out of the standard video connector and also the VMEbus P2 pin out for the rear access of video. The XVME-990 rear transition module connects to the rear of the VMEbus in the same slot as the XVME-6200 and allows for standard connections to off board devices. The XVME-990 provides a standard SVGA connector for rear access.

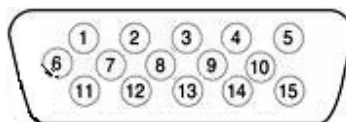


Figure 5-6

Table 5-13 VGA Connector Pin out to VMEbus P2

SVGA Pin out	Signal	VMEbus P2
1	RED	Row d Pin-20
2	GREEN	Row d Pin-21
3	BLUE	Row d Pin-22
4	NC	N/C
5	GND	Row d Pin-31
6	GND	Row d Pin-31
7	GND	Row d Pin-31
8	GND	Row d Pin-31

Rear Transition Module

9	25MIL_VIDA	N/C
10	GND	Row d Pin-31
11	NC	N/C
12	LDDCDAT	Row d Pin-26
13	HSYNC	Row d Pin-23
14	VSYNC	Row d Pin-24
15	LDDCCLK	Row d Pin-25

LPT-1

The 26-pin header connector brings out the signals for the LPT or printer port. The use of a standard 26-pin ribbon cable to 25-pin D-Shell will be required to cable to a standard printer.

Table 5-14 Parallel Port Connector Pin out showing connections to VMEbus P2 and 26-pin header on the XVME-990

P2 VMEbus Connector	26-Pin header	Signal	P2 VMEbus Connector	26-Pin header	Signal
D03	1	STROBE	D08	14	AUTOFEED
D12	2	PDOUT0	D09	15	PERROR
D13	3	PDOUT1	D10	16	INIT
D14	4	PDOUT2	D11	17	SELIN
D15	5	PDOUT3	D31	18	GND
D16	6	PDOUT4	D31	19	GND
D17	7	PDOUT5	D31	20	GND
D18	8	PDOUT6	D31	21	GND
D19	9	PDOUT7	D31	22	GND
D04	10	PACK	D31	23	GND
D05	11	PBUSY	D31	24	GND
D06	12	PE	D31	25	GND
D07	13	SELECT	NC	26	NC

Audio Input and Output

The audio connects on the rear transition module are line level inputs and outputs. To drive a speaker, an amplifier will be needed.

Table 5-15 Showing VMEbus P2 to Audio plugs.

VMEbus P2	Pin Number	Row a
13		AUD_LINE_IN_L
14		AUD_LINE_IN_R
15		AUD_GND
16		AUD_LINE_OUT_L
17		AUD_LINE_OUT_R

Appendix A SDRAM and Battery Installation

Memory Type

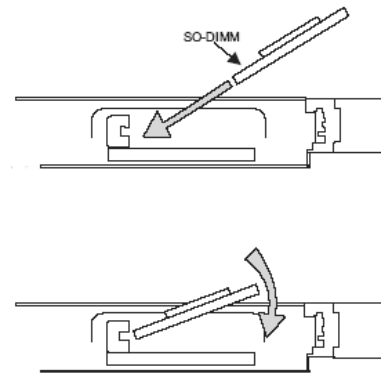
DRAM Memory

The XVME-6200 has a two ECC Registered SODIMM sockets to accommodate from 2x256 MB (512MB total) to 2x4 GBytes (8GB total) DDR2 400MHz (PC2700) ECC registered SODIMMs. An additional pair of Chip Select lines are routed to the SODIMM socket in order to accommodate the 4GB registered SODIMMs.

Installing SDRAM

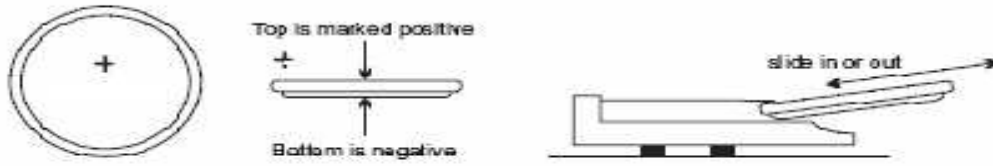
Follow these steps to install the SODIMM:

1. Follow standard antistatic procedures using a wrist strap to minimize the chance of damaging the XVME-6200 and its components.
2. Power off the XVME-6200, remove it from the VME backplane, and place it on a safe antistatic (grounded) surface.
3. Remove all connectors if not already removed.
4. Locate the sockets on the XVME-6200 slightly in front of the P1 VME backplane connector.
5. Pull the metal clips on either side of the SODIMM until it pops up at an angle (roughly 30° from horizontal).
6. Grasping the upper two corners or the edges of the SODIMM, gently pull it out of the socket and set it to the side.
7. Insert the new SODIMM until seated into the connector assuring it fits snugly into the connector retainer clips. Both sockets must use the same type and size memory module.
8. Gently push the SODIMM down until the metal clips snap into place to hold it. If you cannot gently push the SODIMM into position, you may need to redo step 7.
9. Replace the XVME-6200 module, reconnect all connectors, etc.
10. Power up the unit and make sure that the memory is recognized (during boot up on the Boot-time diagnostic screen that can be turned on in the BIOS).



Module Battery Installation

During battery replacement, polarity must be observed in installing the coin battery. Please be sure to dispose of the spent battery in an environmentally correct manner. The replacement battery must be a BR-1632 or equivalent type.



Index

- Abort toggle switch 4-6
- Abort/Clear CMOS register 2-2
- backplane, installing the XVME-660.... 2-16
- BIOS compatibility 3-47
- BIOS menus
 - Advanced menu..... 3-28
 - Advanced Chipset Control submenu . 3-32
 - Daughter PMC #1 PCI and Daughter PMC #2 PCI submenus 3-34
 - I/O Device Configuration submenu 3-30
 - PCI Configuration submenu..... 3-33
 - PCI/PNP ISA IRQ Resource Exclusion submenu 3-36
 - PCI/PNP ISA UMB Region Exclusion submenu 3-35
 - Boot menu..... 3-41
 - Exit menu..... 3-47
 - general navigation information 3-20
 - Main menu 3-21
 - Cache RAM submenu..... 3-25
 - IDE Primary and Secondary Master and Slave submenus..... 3-23
 - Shadow RAM submenu 3-27
 - Power menu 3-39
 - Device Monitoring submenu..... 3-40
 - Security menu 3-37
 - VMEbus menu 3-42
 - Master Interface submenu..... 3-44
 - Slave Interface submenus 3-45
 - System Controller submenu 3-43
- block diagram 1-7
- byte-swapping..... 2-4, 4-7, 4-8, 4-10
- cache..... 3-25
- Compact Flash drive 1-4
- compatibility, BIOS 3-47
- compliance, VMEbus 1-10**
- connectors
 - CPU fan power..... 2-15
 - keyboard port 2-5
 - PMC 2-14
 - RJ-45 10/100 Base-T..... 2-18, 5-9
 - Universal Serial Bus (USB) 2-8, 5-7
 - VGA 2-7, 5-10
 - VMEbus..... 2-11
 - XVME-973/1
 - P15-2
 - P35-5
 - P45-6
- CPU
 - fan power connector.....2-15
- drivers
 - loading Ethernet.....2-17
- drives
 - Compact Flash1-4
 - floppy 1-3, 5-5
 - hard 1-3, 5-2, 5-6
- Ethernet driver, loading.....2-17
- expansion
 - IDE devices1-3
 - PC/104.....1-5
 - PCI1-5
 - PCM1-5
 - PMC1-5
 - short ISA1-5
- Expansion Options.....1-10
- Flash Paging and Byte Swap register. 2-4, 4-9, 4-10
- floppy drive1-3, 3-21
- front panel, XVME-6602-17
- hard drive1-3, 3-23
- hardware specifications..... 1-10
- I/O map4-1
- IDE devices 1-3, 3-23, 3-30, 3-40
- installation
 - SDRAM.....A-1
 - XVME-660.....2-16
 - XVME-973/15-1
- interrupt generation, VMEbus4-7
- interrupt handling
 - VMEbus4-6
- IRQ map.....4-2
- IRQ10.....4-6
- jumper settings
 - J3, mainboard.....3-43, 4-5
- keyboard interface1-5
- keyboard port connector.....2-5
- LED/BIOS register2-3
- memory map.....4-1
- memory, SDRAM.....1-10

-
- P1 connector, XVME-973/1 5-2
 - P3 connector, XVME-973/1 5-5
 - P4 connector, XVME-973/1 5-6
 - parallel port..... 1-5
 - passwords 3-37
 - PC/104..... 1-5
 - PCI Ethernet controller, enabling..... 2-17
 - pinouts
 - CPU fan power..... 2-15
 - keyboard port 2-5
 - P1 connector (XVME-973/1)..... 5-2
 - P3 connector (XVME-973/1)..... 5-5
 - P4 connector (XVME-973/1)..... 5-6
 - PMC 2-14
 - Universal Serial Bus (USB) 2-8, 5-7
 - VGA 2-7, 5-10
 - VMEbus (P1) 2-11
 - PMC 1-5
 - PMC connectors..... 2-14
 - ports
 - keyboard 1-5
 - parallel 1-5
 - serial 1-5
 - registers
 - Abort/Clear CMOS 2-2
 - Abort/Clear CMOS register 2-2
 - Flash Paging and Byte Swap2-4, 4-9, 4-10
 - LED/BIOS 2-3
 - LED/BIOS register..... 2-3
 - watchdog timer..... 2-3
 - reset options, VMEbus 4-7
 - RJ-45 10/100 Base-T Connector:... 2-18, 5-9
 - SDRAM 1-10
 - installation A-1
 - serial ports 1-5
 - shadow memory..... 3-27
 - Software Support 1-6
 - specifications
 - hardware 1-10
 - switch settings 2-2
 - system resources 3-43, 4-5
 - Universal Serial Bus (USB) port 2-8, 5-7
 - Universe chip..... 4-5, 4-7, 4-8, 4-10
 - VGA connector..... 2-7, 5-10
 - VME interface 4-5
 - VMEbus
 - compliance..... 1-10**
 - interface 1-5
 - interrupt handling 4-6
 - interrupt generation 4-7
 - reset options..... 4-7
 - VMEbus connectors..... 2-11
 - VMEbus master interface..... 3-44
 - VMEbus slave interface 3-45
 - VMEbus system resources 3-43
 - watchdog timer 1-5
 - watchdog timer register..... 2-3
 - XVME-9000-EXF 1-10
 - XVME-973/1 1-3, 1-10, 5-1
 - XVME-973/5..... 1-10
 - XVME-976..... 1-5, 1-10
 - XVME-977..... 1-3, 1-10
 - XVME-979..... 1-3, 1-10



Artisan Technology Group is your source for quality new and certified-used/pre-owned equipment

- FAST SHIPPING AND DELIVERY
- TENS OF THOUSANDS OF IN-STOCK ITEMS
- EQUIPMENT DEMOS
- HUNDREDS OF MANUFACTURERS SUPPORTED
- LEASING/MONTHLY RENTALS
- ITAR CERTIFIED SECURE ASSET SOLUTIONS

SERVICE CENTER REPAIRS

Experienced engineers and technicians on staff at our full-service, in-house repair center

*InstraView*SM REMOTE INSPECTION

Remotely inspect equipment before purchasing with our interactive website at www.instraview.com ↗

WE BUY USED EQUIPMENT

Sell your excess, underutilized, and idle used equipment. We also offer credit for buy-backs and trade-ins. www.artisanng.com/WeBuyEquipment ↗

LOOKING FOR MORE INFORMATION?

Visit us on the web at www.artisanng.com ↗ for more information on price quotations, drivers, technical specifications, manuals, and documentation

Contact us: (888) 88-SOURCE | sales@artisanng.com | www.artisanng.com