



Artisan Technology Group is your source for quality new and certified-used/pre-owned equipment

- FAST SHIPPING AND DELIVERY
- TENS OF THOUSANDS OF IN-STOCK ITEMS
- EQUIPMENT DEMOS
- HUNDREDS OF MANUFACTURERS SUPPORTED
- LEASING/MONTHLY RENTALS
- ITAR CERTIFIED SECURE ASSET SOLUTIONS

SERVICE CENTER REPAIRS

Experienced engineers and technicians on staff at our full-service, in-house repair center

*InstraView*SM REMOTE INSPECTION

Remotely inspect equipment before purchasing with our interactive website at www.instraview.com ↗

WE BUY USED EQUIPMENT

Sell your excess, underutilized, and idle used equipment. We also offer credit for buy-backs and trade-ins. www.artisanng.com/WeBuyEquipment ↗

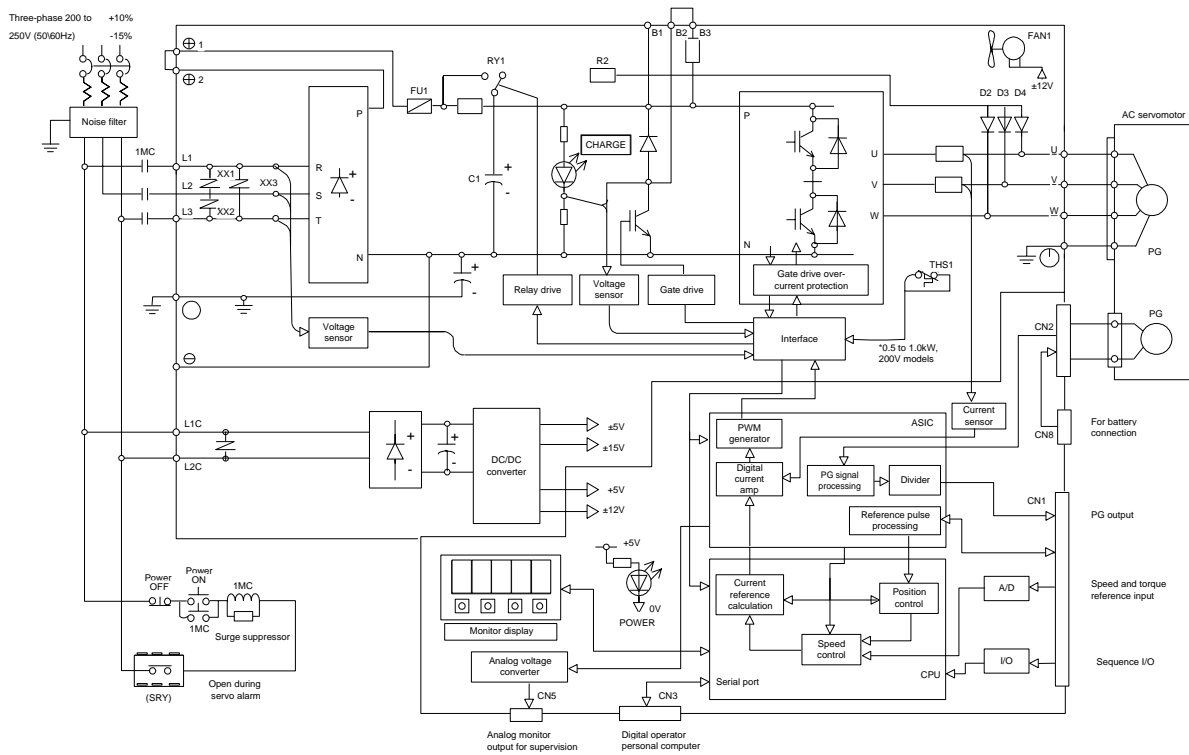
LOOKING FOR MORE INFORMATION?

Visit us on the web at www.artisanng.com ↗ for more information on price quotations, drivers, technical specifications, manuals, and documentation

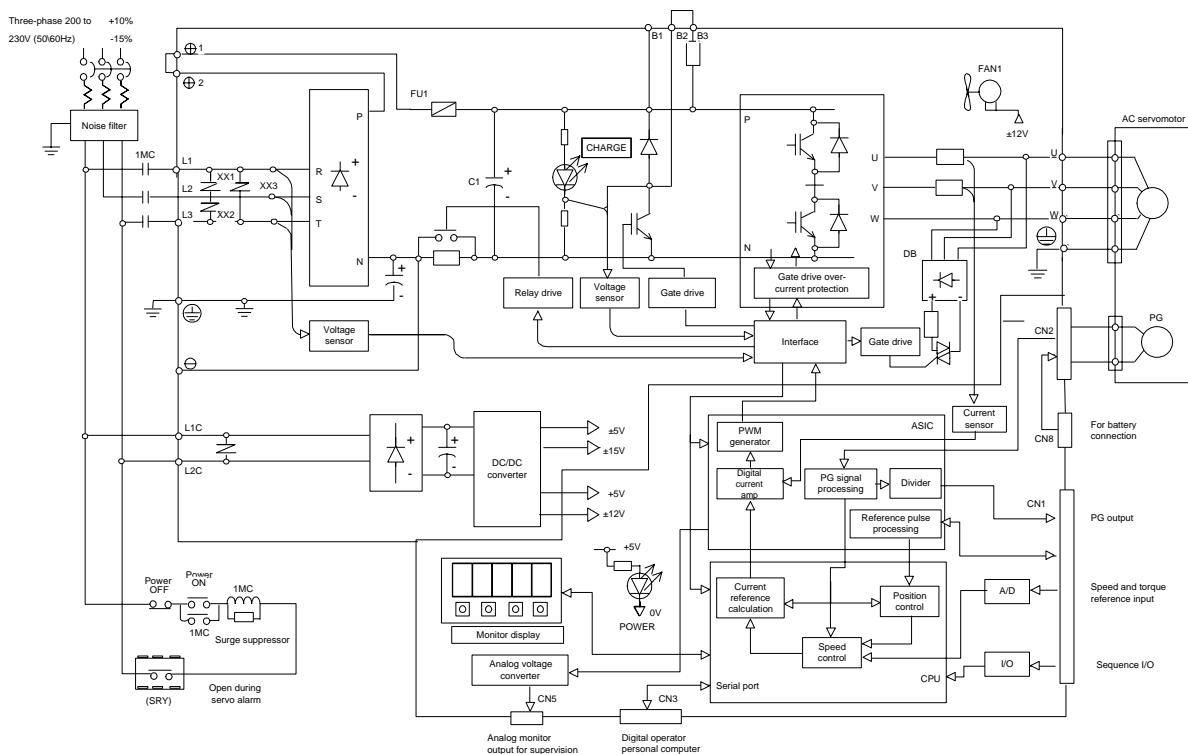
Contact us: (888) 88-SOURCE | sales@artisanng.com | www.artisanng.com

Typical Internal Connection Diagrams

- 0.5kW to 1.5kW, 200V Models



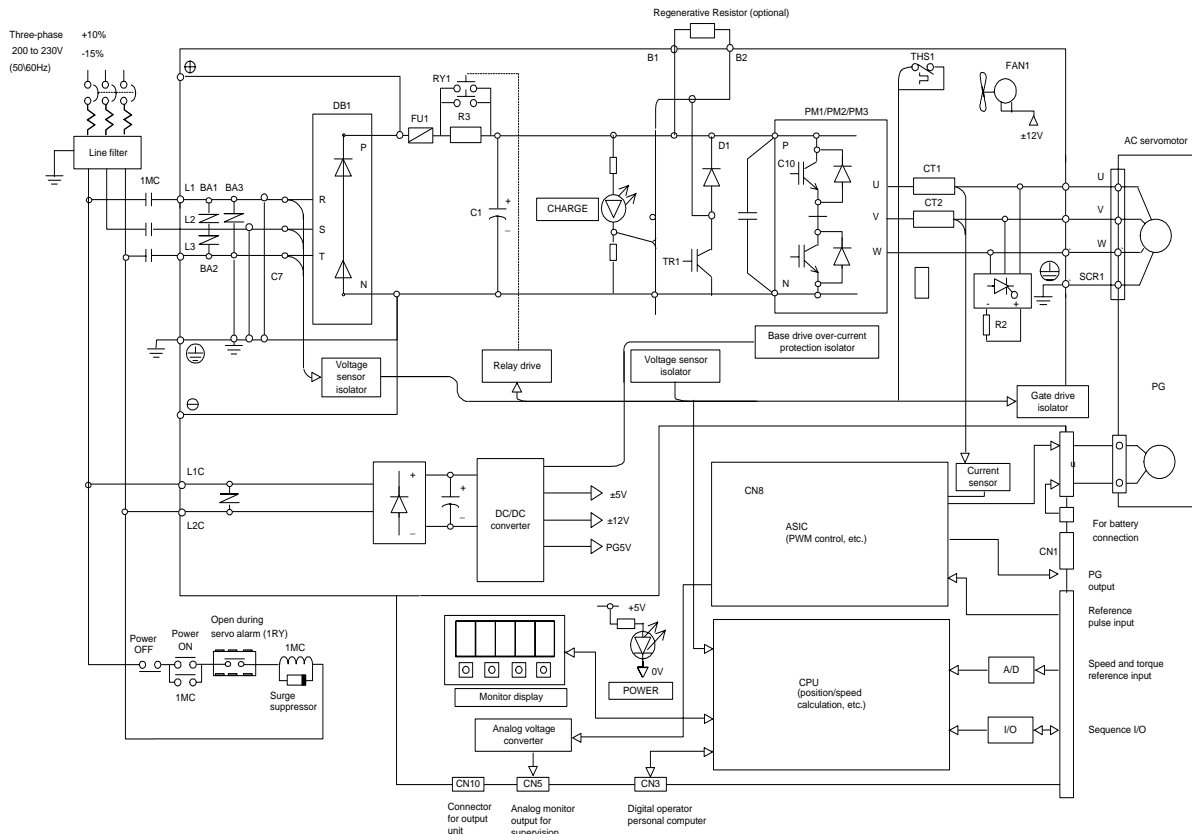
- 2.0kW to 5.0kW, 200V Models



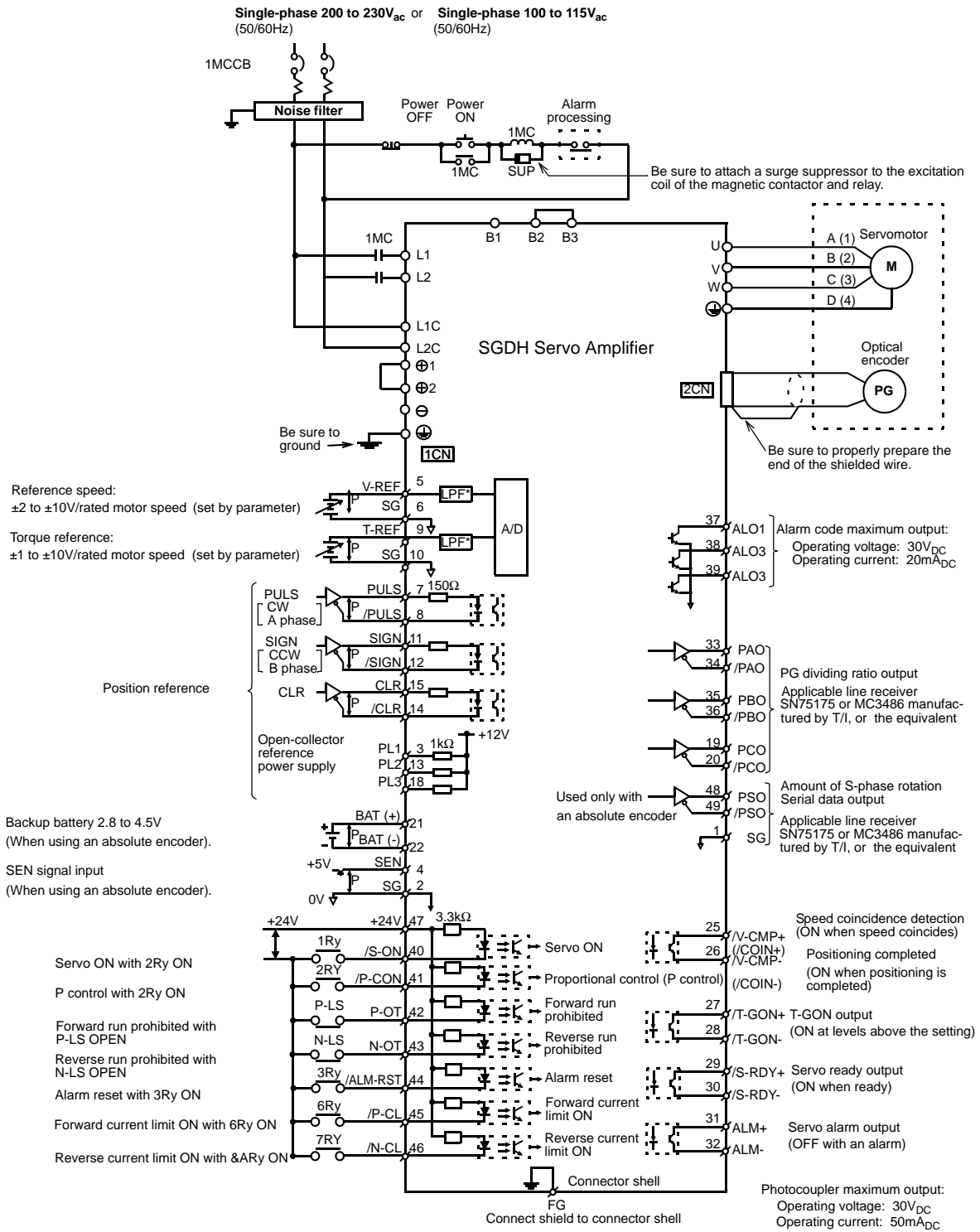
**SGDH
Servo Amplifiers**

100/200V Sigma II Servo System

- 6.0kW to 7.5kW, 200V Models

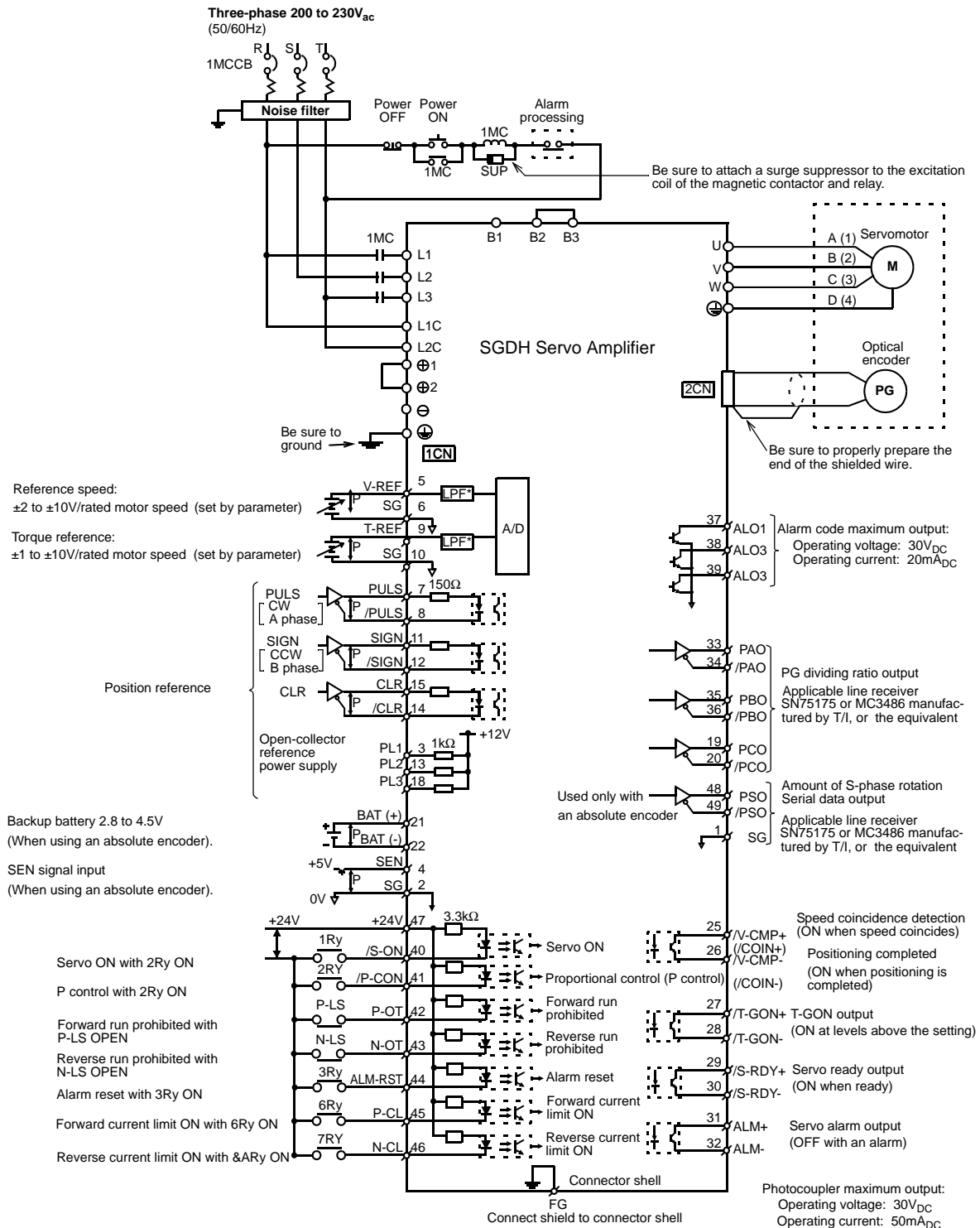


Connection Diagram, Single-phase



SGDH
Servo Amplifiers

Connection Diagram, Three-phase



*The time constant for the primary filter is 47μs

⌋P: Indicates twisted wire pairs.

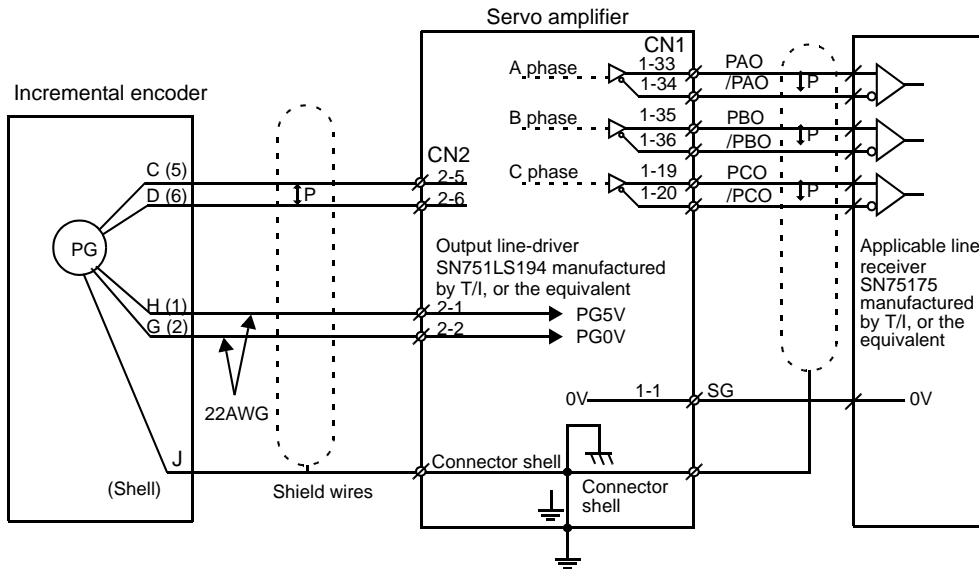
Amplifier to Encoder Connection Diagram

Connection Example

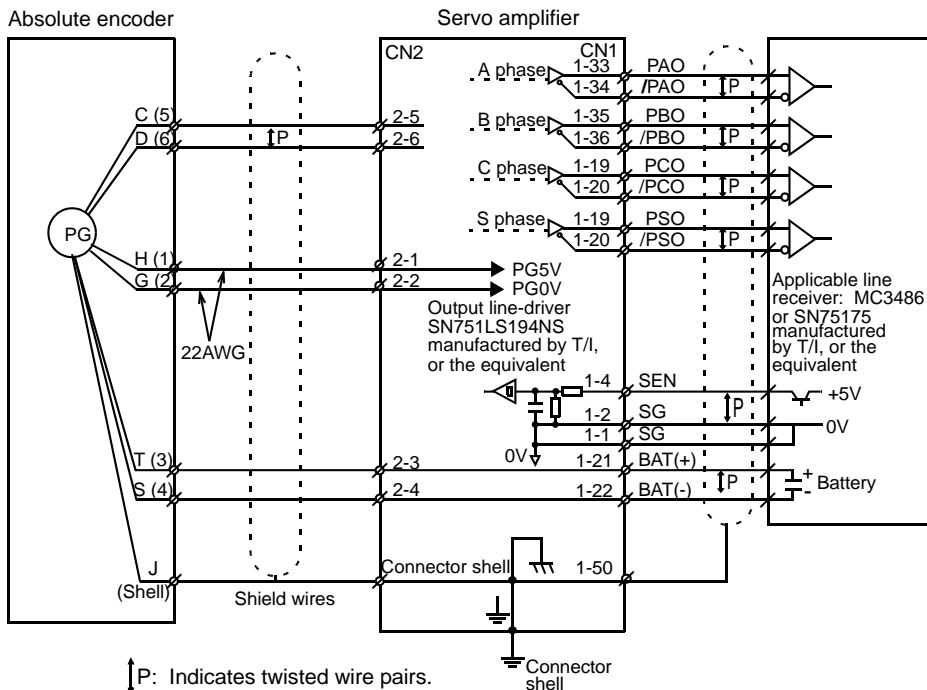
The following diagrams show the procedure for wiring a servo amplifier to an encoder.

Connecting an encoder (CN2) and output signals from the servo amplifier (CN1)

Incremental Encoders



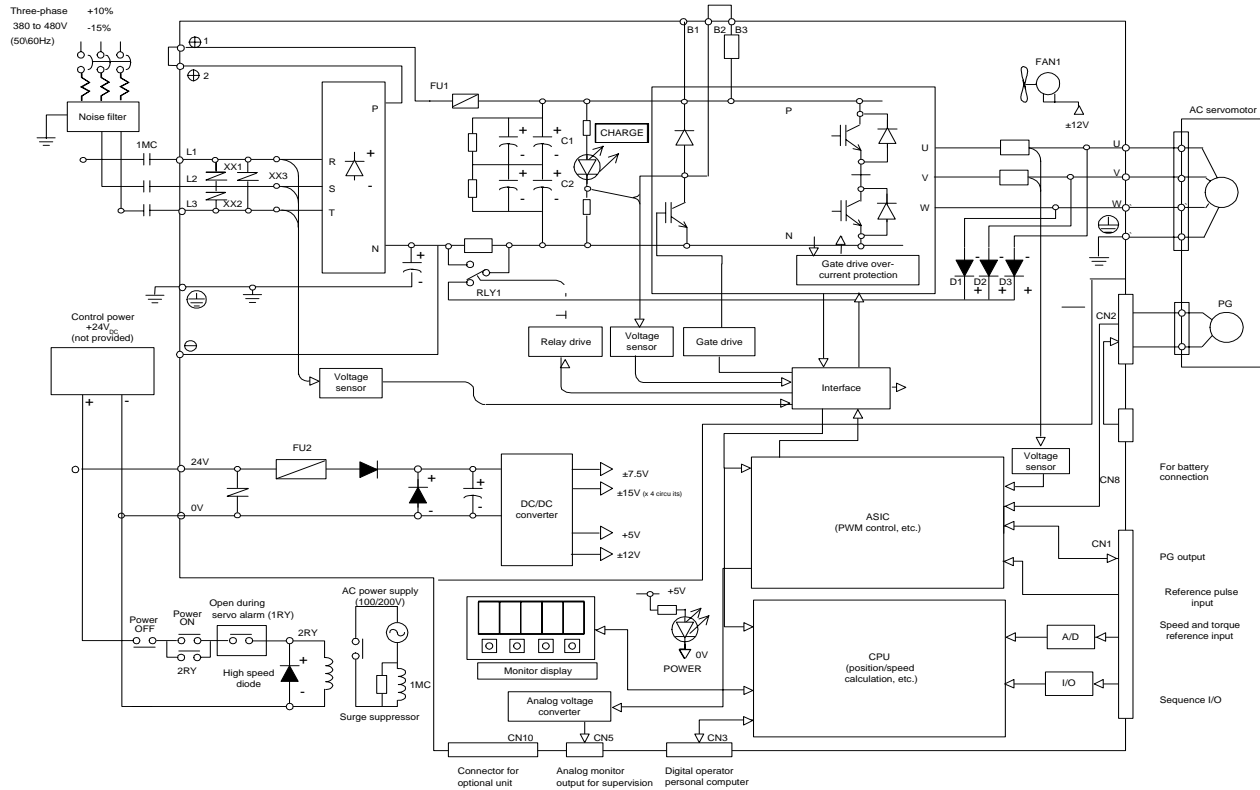
Absolute Encoders



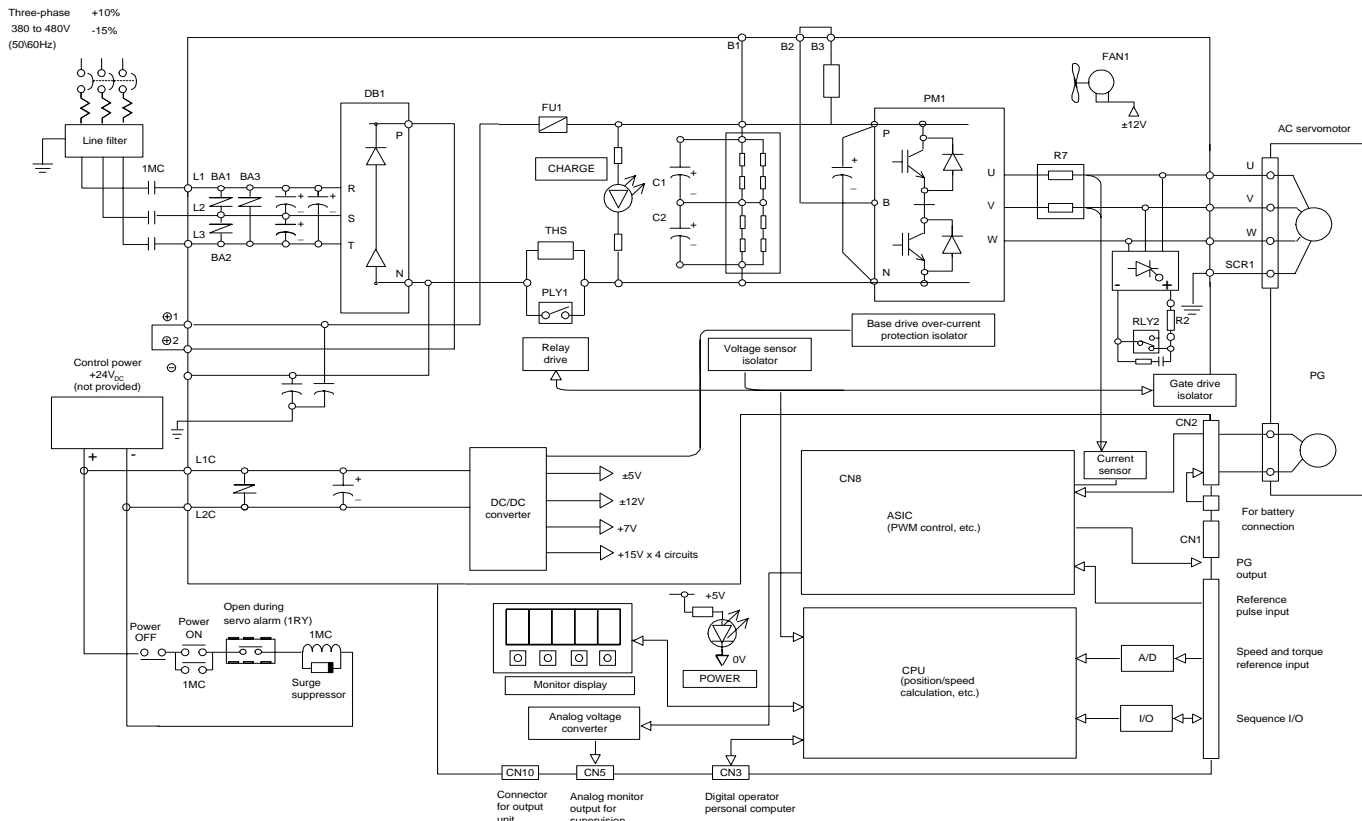
SGDH
Servo Amplifiers

Typical Internal Connection Diagrams

• 400V, 0.5kW to 3.0kW Models



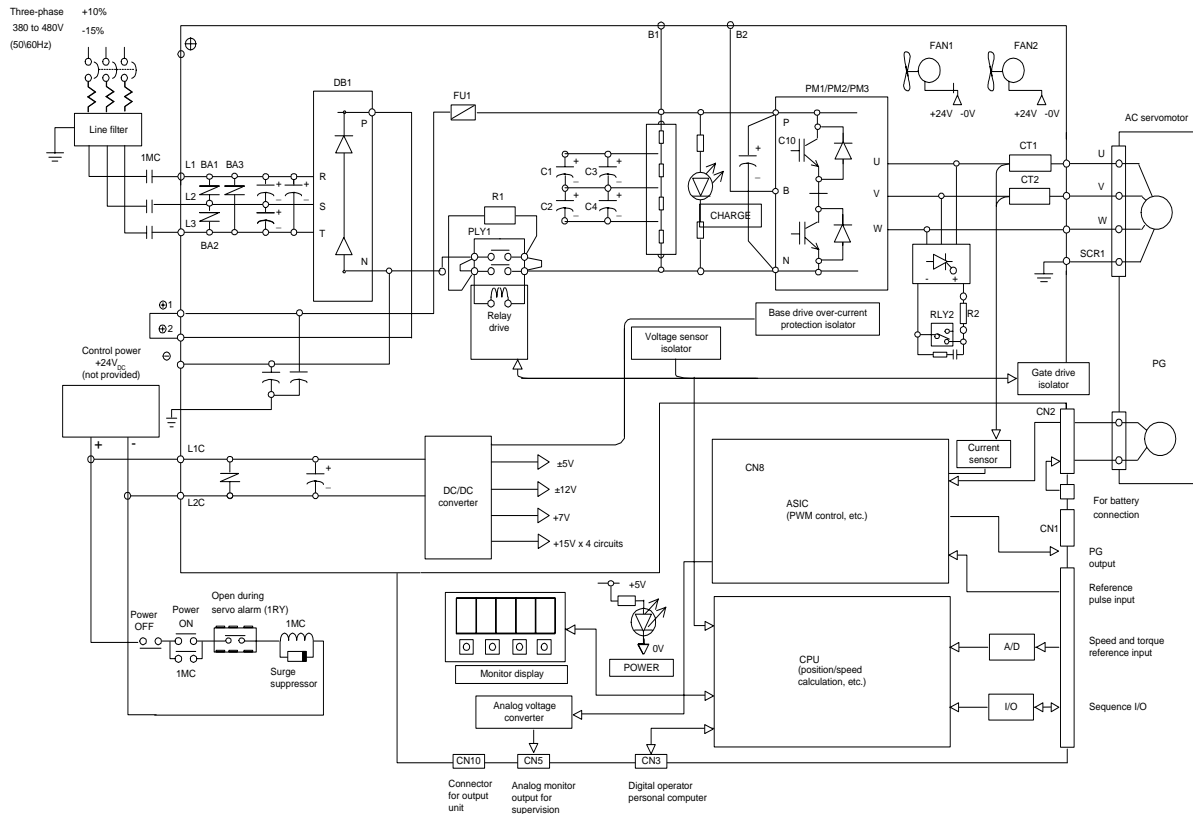
• 400V, 5.0kW Models



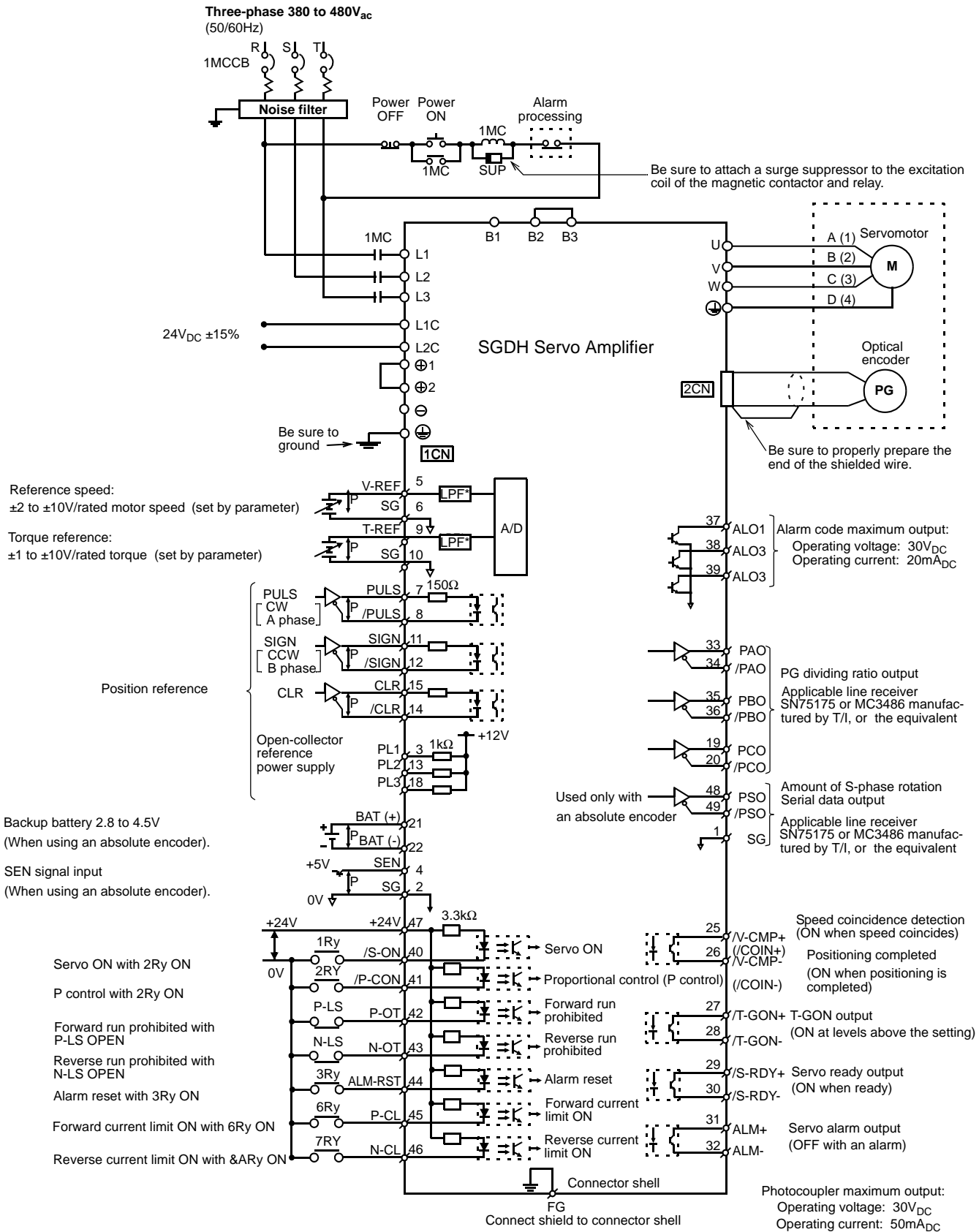
SGDH
Servo Amplifiers

400V Sigma II Servo Systems

- 400V, 6.0W to 7.5kW Models



- 400V, 500W to 15kW Models

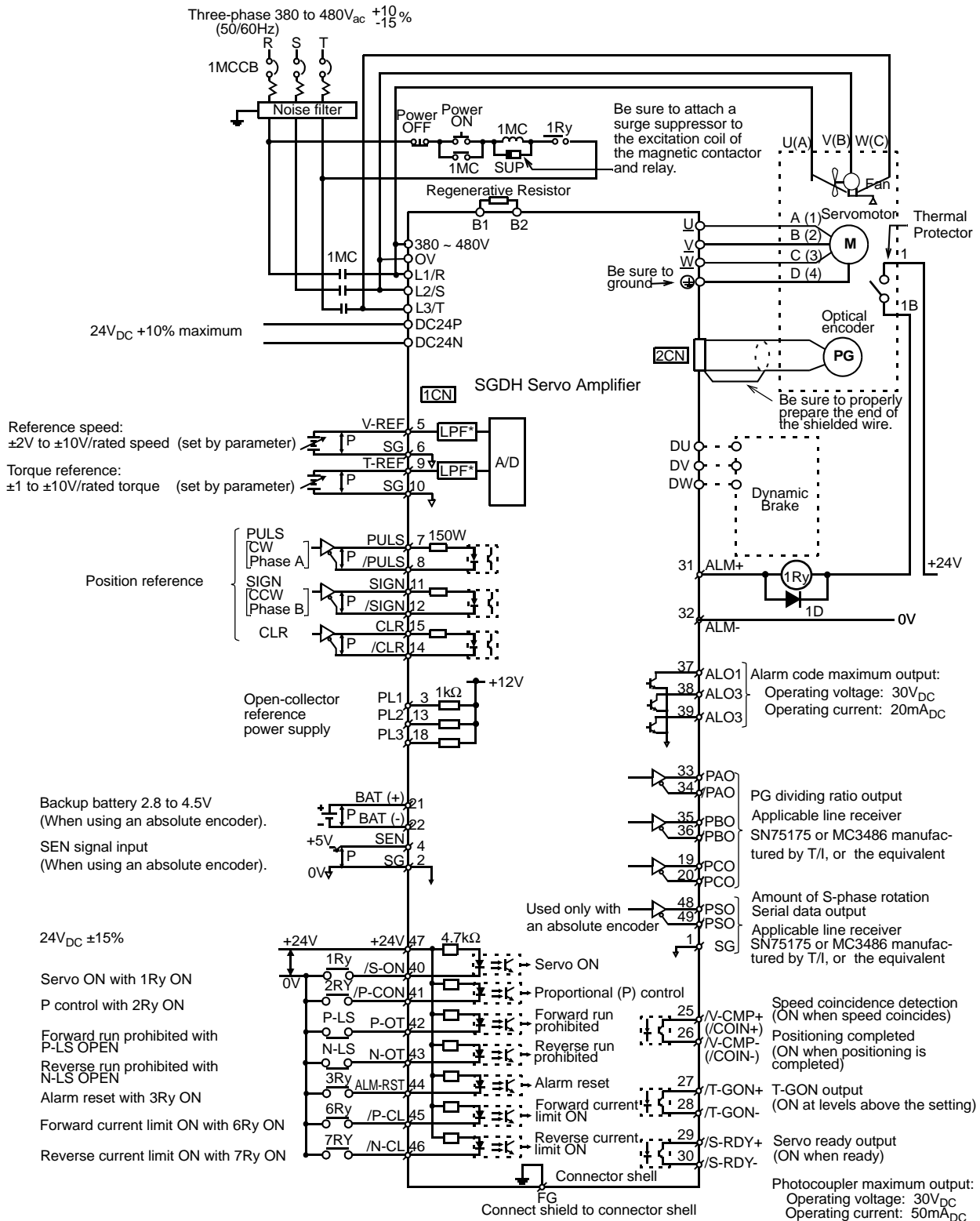


*The time constant for the primary filter is 47μs

†P: Indicates twisted wire pairs.

400V Sigma II Servo Systems

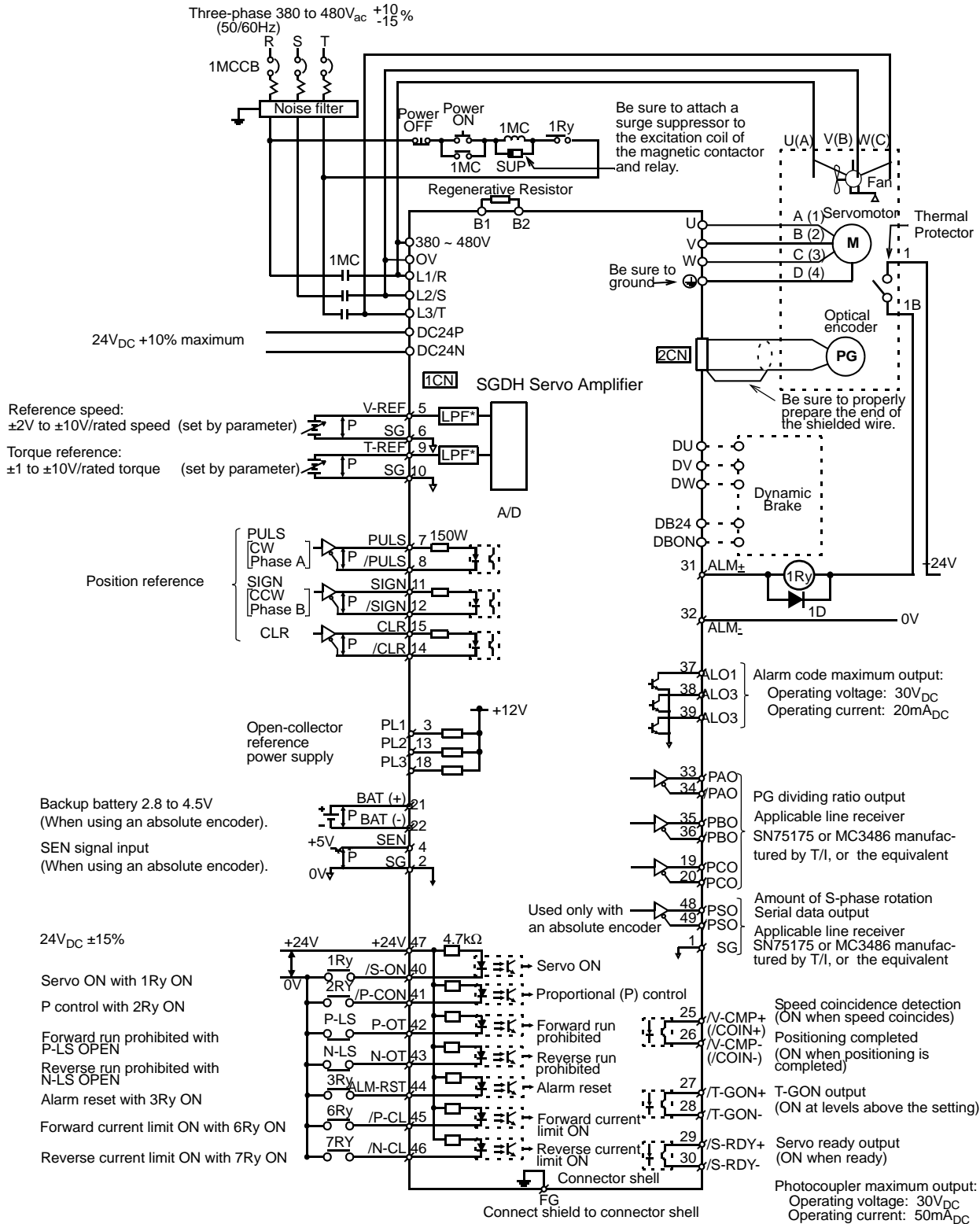
- 400V, 22kW to 30kW Models



*The time constant for the primary filter is 47μs

⌋P: Indicates twisted wire pairs.

- 400V, 37kW to 55kW Models



*The time constant for the primary filter is 47 μ s

⌋P: Indicates twisted wire pairs.

SGDH Servo Amplifiers

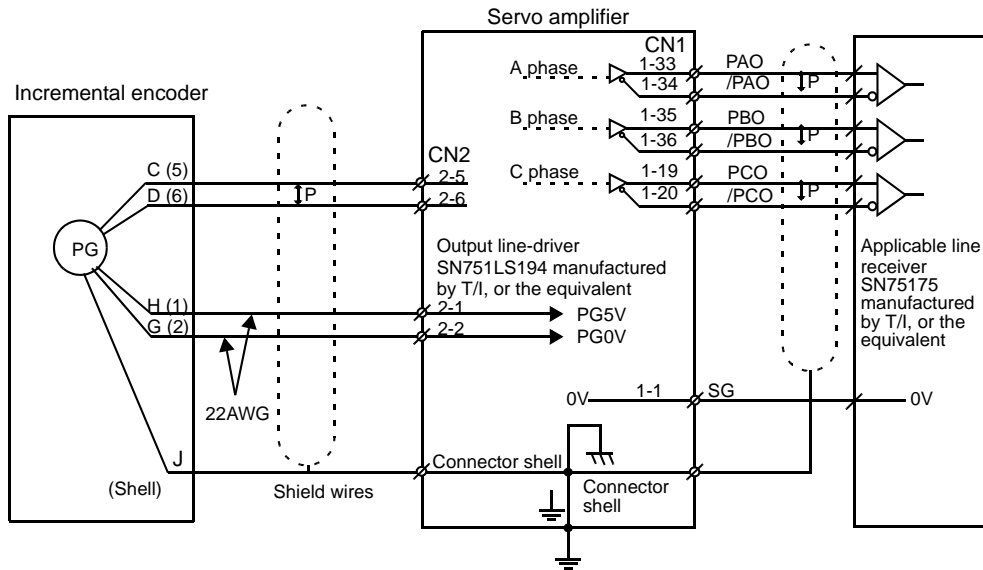
Amplifier to Encoder Connection Diagram

Connection Example

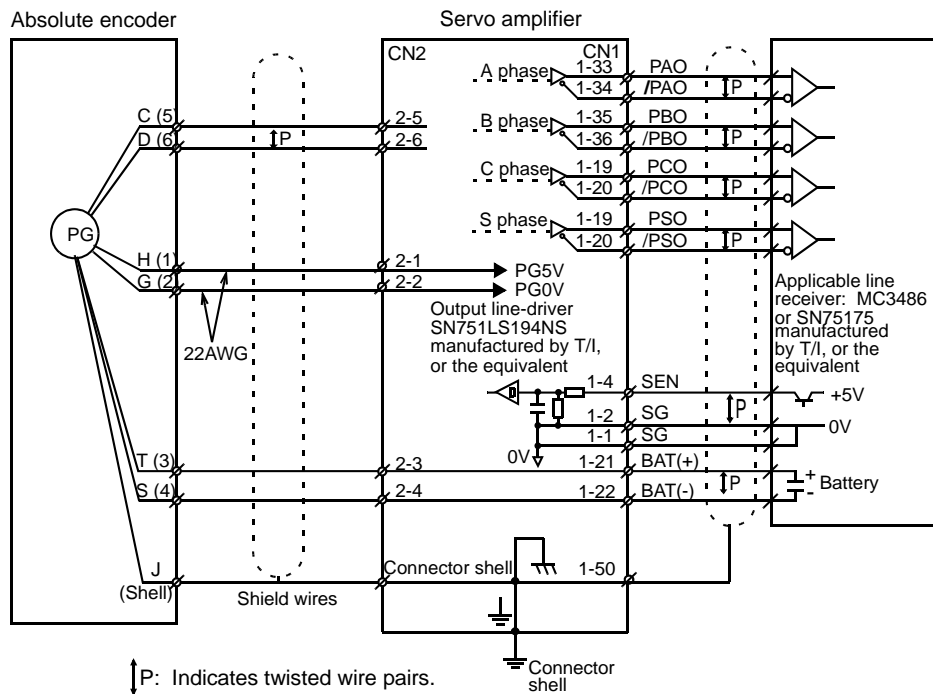
The following diagrams show the procedure for wiring a servo amplifier to an encoder.

Connecting an encoder (CN2) and output signals from the servo amplifier (CN1)

Incremental Encoders



Absolute Encoders



↑P: Indicates twisted wire pairs.



Artisan Technology Group is your source for quality new and certified-used/pre-owned equipment

- FAST SHIPPING AND DELIVERY
- TENS OF THOUSANDS OF IN-STOCK ITEMS
- EQUIPMENT DEMOS
- HUNDREDS OF MANUFACTURERS SUPPORTED
- LEASING/MONTHLY RENTALS
- ITAR CERTIFIED SECURE ASSET SOLUTIONS

SERVICE CENTER REPAIRS

Experienced engineers and technicians on staff at our full-service, in-house repair center

*InstraView*SM REMOTE INSPECTION

Remotely inspect equipment before purchasing with our interactive website at www.instraview.com ↗

WE BUY USED EQUIPMENT

Sell your excess, underutilized, and idle used equipment. We also offer credit for buy-backs and trade-ins. www.artisanng.com/WeBuyEquipment ↗

LOOKING FOR MORE INFORMATION?

Visit us on the web at www.artisanng.com ↗ for more information on price quotations, drivers, technical specifications, manuals, and documentation

Contact us: (888) 88-SOURCE | sales@artisanng.com | www.artisanng.com