



Artisan Technology Group is your source for quality new and certified-used/pre-owned equipment

- FAST SHIPPING AND DELIVERY
- TENS OF THOUSANDS OF IN-STOCK ITEMS
- EQUIPMENT DEMOS
- HUNDREDS OF MANUFACTURERS SUPPORTED
- LEASING/MONTHLY RENTALS
- ITAR CERTIFIED SECURE ASSET SOLUTIONS

SERVICE CENTER REPAIRS

Experienced engineers and technicians on staff at our full-service, in-house repair center

*InstraView*SM REMOTE INSPECTION

Remotely inspect equipment before purchasing with our interactive website at www.instraview.com ↗

WE BUY USED EQUIPMENT

Sell your excess, underutilized, and idle used equipment. We also offer credit for buy-backs and trade-ins. www.artisanng.com/WeBuyEquipment ↗

LOOKING FOR MORE INFORMATION?

Visit us on the web at www.artisanng.com ↗ for more information on price quotations, drivers, technical specifications, manuals, and documentation

Contact us: (888) 88-SOURCE | sales@artisanng.com | www.artisanng.com

SJME-□-OY

Junma servo motors

A new concept in drive simplicity Medium inertia compact motor

- Peak torque up to three times continuous torque for 3 seconds
- Easy to install with prebuilt cables
- Motors with brakes are available
- No motor settings required, just plug and run

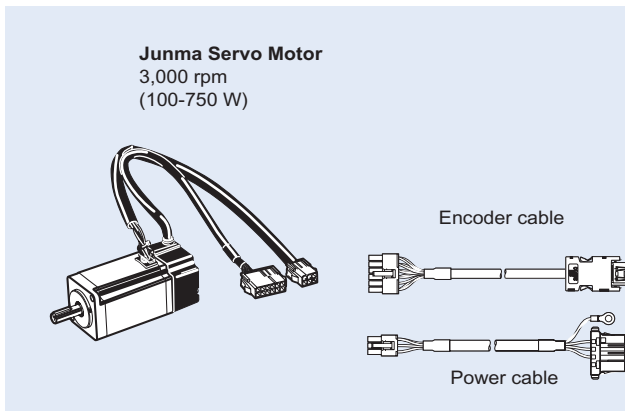
Ratings

- 230 VAC Single-phase 100 W to 750 W (0.318 Nm to 2.39 Nm)

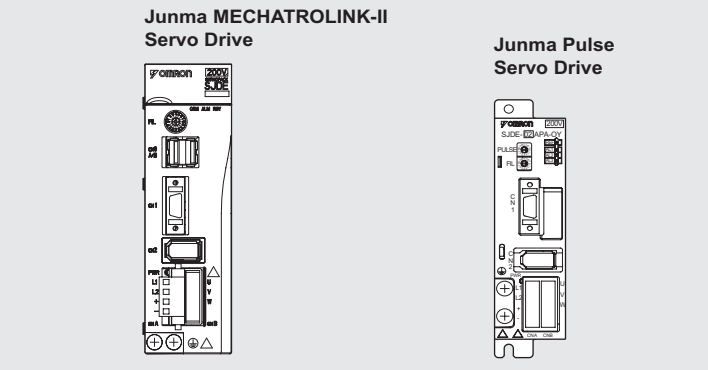


AC Servo systems

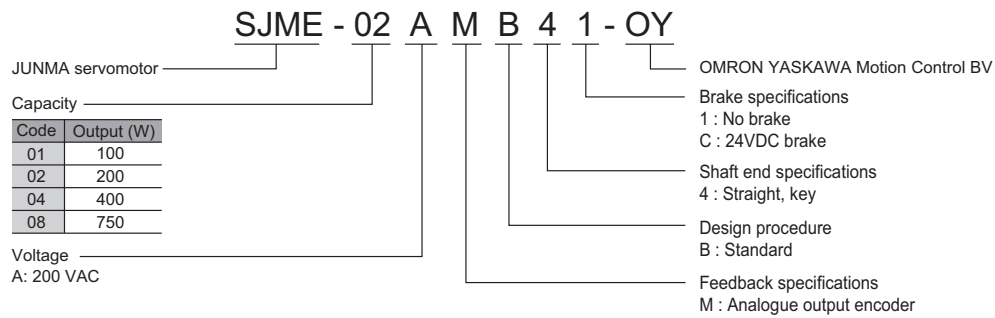
System Configuration



(Refer to servo drive chapter)



Motor Type Designation





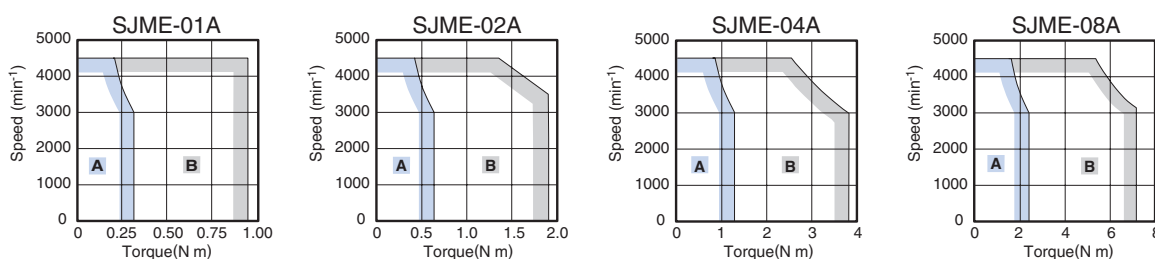
Servomotor Specifications

Voltage		230 V			
Servomotor Model SJME- □		01A □	02A □	04A □	08A □
Rated Output ^{*1}	W	100	200	400	750
Rated Torque ^{*1, *2}	N·m	0.318	0.637	1.27	2.39
Instantaneous Peak Torque ^{*1}	N·m	0.955	1.91	3.82	7.16
Rated Current ^{*1}	Arms	0.84	1.1	2.0	3.7
Instantaneous Max. Current ^{*1}	Arms	2.5	3.3	6.0	11.1
Rated Speed ^{*1}	min ⁻¹	3000			
Max. Speed ^{*1}	min ⁻¹	4500			
Torque Constant	N·m/Arms	0.413	0.645	0.682	0.699
Rotor Moment of Inertia (JM)	kg·m ² ×10 ⁻⁴	0.0634	0.330	0.603	1.50
Allowable load inertia ^{*3}	kg·m ² ×10 ⁻⁴	0.6	3.0	5.0	10.0
Rated Power Rate	kW/s	16.0	12.3	26.7	38.1
Rated Angular Acceleration	rad/s ²	50200	19300	21100	15900
Encoder	Standard	Analogue output encoder			
Allowable radial load		78	245	245	392
Allowable thrust load		54	74	74	147
Approx. mass	kg (without brake)	0.5	0.9	1.3	2.6
	kg (with brake)	0.8	1.5	1.9	3.5
Brake specifications	Rated voltage	24 VDC ±10%			
	Holding Brake Moment of Inertia	kg·m ² ×10 ⁻⁴	0.0075	0.064	
	Power consumption (at 20°C)	W	6	6.9	
	Current consumption (at 20°C)	A	0.25	0.29	
	Static friction torque	N·m (minimum)	0.318	1.27	
	Rise time for holding torque	ms (max)	100		
Release time	ms (max)	80			
Basic Specifications	Time Rating	Continuous			
	Thermal Class	Class B			
	Vibration Class	15 µm or below			
	Withstand Voltage	1500 VAC for one minute			
	Insulation resistance	500 VDC, 10 MΩ min.			
	Enclosure	Totally-enclosed, self-cooled, IP55 (excluding shaft opening and connectors)			
	Vibration Resistance	Vibration acceleration 49 m/s ²			
	Usage / storage temperature	0 to +40° C / -20 to 60° C without freezing			
	Usage / storage humidity	20 to 80% RH (non-condensing)			
Altitude	1000 m or less above sea level				
Mounting	Flange-mounted				

Note: *1. These items and speed/torque characteristics quoted in combination with an SJDE servo drive are at an armature winding temperature of 100°C. Other values quoted at 20°C.
 *2: The rated torques listed here are the values for the continuous allowable torque at 40°C with an aluminium heatsink (250 mm x 250 mm x 6 mm) attached.
 *3. Value use the appropriate SJDE drive without of external regeneration unit

Torque-Speed Characteristics

(**A** : Continuous Duty Zone **B** : Intermittent Duty Zone)

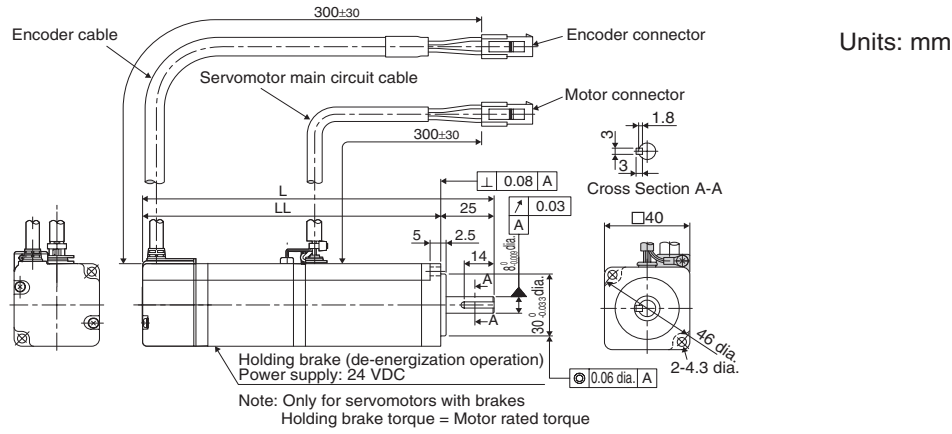


Dimensions

Junma servomotors

SJME-01 (200V, 100W)

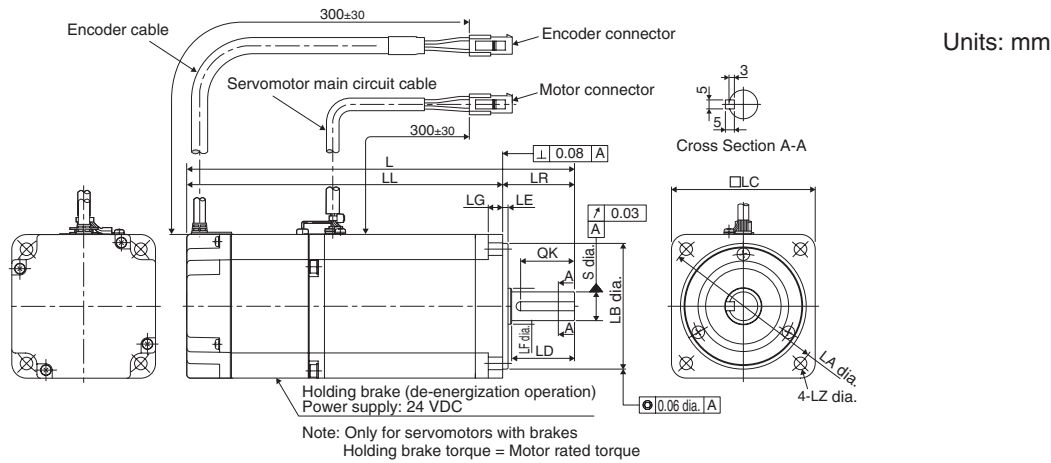
Model	L	LL	Approx. Mass (kg)
SJME-01AMB41-OY	119	94	0.5
SJME-01AMB4C-OY	164	139	0.8



AC Servo systems

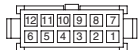
SJME-02, 04, 08 (200V, 200 to 750W)

Model	L	LL	LR	LG	LE	S	LB	LC	LD	LF	LA	LZ	QK	Approx. Mass (kg)
SJME-02AMB41-OY	125.5	95.5	30	6	3	14 ⁰ _{-0.011}	50 ⁰ _{-0.039}	60	-	-	70	5.5	20	0.9
SJME-02AMB4C-OY	165.5	135.5												1.5
SJME-04AMB41-OY	148.5	118.5	40	8	3	16 ⁰ _{-0.011}	70 ⁰ _{-0.046}	80	35	20	90	7	30	1.3
SJME-04AMB4C-OY	188.5	158.5												1.9
SJME-08AMB41-OY	173	133	40	8	3	16 ⁰ _{-0.011}	70 ⁰ _{-0.046}	80	35	20	90	7	30	2.6
SJME-08AMB4C-OY	216	176												3.5



Servomotor connectors

Encoder Connector Specifications



Plug: 5559-12P-210
Terminal: 5558T2(chained) or 5558T2L(detached)
(Manufacture: Molex Japan Co., Ltd)

1	PG5V	Red
2	PG0V(GND)	Black
3	Phase A+	Blue
4	Phase A-	Blue/White
5	Phase B+	Yellow
6	Phase B-	Yellow/White
7	Phase/Z	Purple
8	Phase U	Gray
9	Phase V	Green
10	Phase W	Orange
11	-	-
12	FG	Shield

Motor Connector Specifications



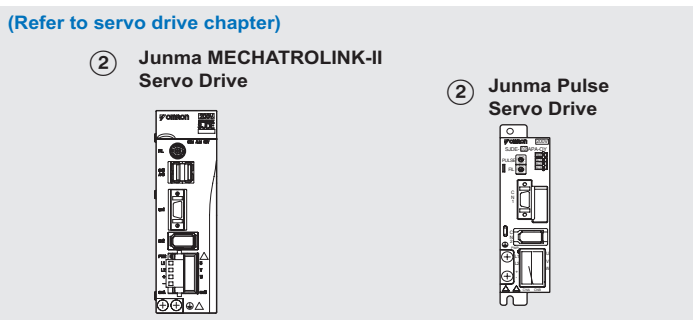
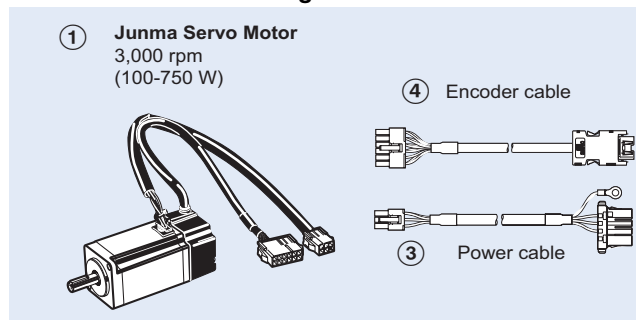
Plug: 5559-06P-210
Terminal (No.1 to 3, 5, 6): 5558T(chained) or 5558TL(detached)
Grounding Pin (No.4): 30490-2002(chained) or 30490-2012 (detached)
(Manufacture: Molex Japan Co., Ltd)

No brake		With brake		
1	Phase U	Red	Phase U	Red
2	Phase V	White	Phase V	White
3	Phase W	Blue	Phase W	Blue
4	F G	Green/Yellow	F G	Green/Yellow
5	-	-	Brake	Red
6	-	-	Brake	Black



Ordering Information

Junma Servo motor configuration



Servomotors and Servo drives

Symbol	Specifications				① Servomotor model		② Servo drive model	
	Voltage	Encoder and Design	Rated Torque	Capacity			MECHATROLINK-II	Pulse Control
①②	1 Phase 200 VAC	Analogue Incremental Encoder	Without brake	0.318 Nm	100 W	SJME-01AMB41-OY	SJDE-01ANA-OY	SJDE-01APA-OY
				0.637 Nm	200 W	SJME-02AMB41-OY	SJDE-02ANA-OY	SJDE-02APA-OY
			1.27 Nm	400 W	SJME-04AMB41-OY	SJDE-04ANA-OY	SJDE-04APA-OY	
			2.39 Nm	750 W	SJME-08AMB41-OY	SJDE-08ANA-OY	SJDE-08APA-OY	
		Straight shaft with key	With brake	0.318 Nm	100 W	SJME-01AMB4C-OY	SJDE-01ANA-OY	SJDE-01APA-OY
				0.637 Nm	200 W	SJME-02AMB4C-OY	SJDE-02ANA-OY	SJDE-02APA-OY
			1.27 Nm	400 W	SJME-04AMB4C-OY	SJDE-04ANA-OY	SJDE-04APA-OY	
			2.39 Nm	750 W	SJME-08AMB4C-OY	SJDE-08ANA-OY	SJDE-08APA-OY	

Power cables

Symbol	Specifications		Model	Appearance		
③	Power cable for Junma servomotors without brake SJME-0□AMB41-OY	Flexible cables (Standard) Shielded Cable Bending radius (Dynamic) > 10xDiameter Bending cycles > 5 Million	1.5 m	JZSP-CHM000-01-5E		
			3 m	JZSP-CHM000-03-E		
			5 m	JZSP-CHM000-05-E		
			10 m	JZSP-CHM000-10-E		
			15 m	JZSP-CHM000-15-E		
			20 m	JZSP-CHM000-20-E		
	Power cable for Junma servomotors with brake SJME-0□AMB4C-OY	Flexible cables (Standard) Shielded Cable Bending radius (Dynamic) > 10xDiameter Bending cycles > 5 Million	Non flexible cables	3 m	R7A-CAZ003S	
				5 m	R7A-CAZ005S	
				10 m	R7A-CAZ010S	
				1.5 m	JZSP-CHM030-01-5E	
				3 m	JZSP-CHM030-03-E	
				5 m	JZSP-CHM030-05-E	
10 m	JZSP-CHM030-10-E					
15 m	JZSP-CHM030-15-E					
20 m	JZSP-CHM030-20-E					
3 m	R7A-CAZ003B					
5 m	R7A-CAZ005B					
10 m	R7A-CAZ010B					

Encoder cables

Symbol	Specifications		Model (Flexible)	Appearance	
④	Encoder cable for Junma servomotors SJME-0□AMB4□-OY	Flexible cables (Standard) Shielded Cable Bending radius (Dynamic) > 10xDiameter Bending cycles > 5 Million	1.5 m	JZSP-CHP800-01-5E	
			3 m	JZSP-CHP800-03-E	
			5 m	JZSP-CHP800-05-E	
			10 m	JZSP-CHP800-10-E	
			15 m	JZSP-CHP800-15-E	
			20 m	JZSP-CHP800-20-E	
		Non flexible cables	3 m	R7A-CRZ003C	
			5 m	R7A-CRZ005C	
			10 m	R7A-CRZ010C	

Connectors for power and encoder cables

Specifications	Drive side (CNB)	Manufacturer: JST (04JFAT-SAYGF-N)	Model (Omron)	Model (Yaskawa)
Connectors for making power cables	Drive side (CNB)	Manufacturer: JST (04JFAT-SAYGF-N)	R7A-CNZ01A	JZSP-CHM9-2
	Motor side	Manufacturer: Molex (5557-06R-210)	R7A-CNZ02A	JZSP-CHM9-1
Connectors for making encoder cables	Drive side (CN2)	Manufacturers 3M and Molex	R7A-CNZ01R	JZSP-CHP9-2
	Motor side	Manufacturer: Molex (57026-5000)	R7A-CNZ02R	JZSP-CHP9-1

ALL DIMENSIONS SHOWN ARE IN MILLIMETERS.
To convert millimeters into inches, multiply by 0.03937. To convert grams into ounces, multiply by 0.03527.



Artisan Technology Group is your source for quality new and certified-used/pre-owned equipment

- FAST SHIPPING AND DELIVERY
- TENS OF THOUSANDS OF IN-STOCK ITEMS
- EQUIPMENT DEMOS
- HUNDREDS OF MANUFACTURERS SUPPORTED
- LEASING/MONTHLY RENTALS
- ITAR CERTIFIED SECURE ASSET SOLUTIONS

SERVICE CENTER REPAIRS

Experienced engineers and technicians on staff at our full-service, in-house repair center

*InstraView*SM REMOTE INSPECTION

Remotely inspect equipment before purchasing with our interactive website at www.instraview.com ↗

WE BUY USED EQUIPMENT

Sell your excess, underutilized, and idle used equipment. We also offer credit for buy-backs and trade-ins. www.artisanng.com/WeBuyEquipment ↗

LOOKING FOR MORE INFORMATION?

Visit us on the web at www.artisanng.com ↗ for more information on price quotations, drivers, technical specifications, manuals, and documentation

Contact us: (888) 88-SOURCE | sales@artisanng.com | www.artisanng.com