



Artisan Technology Group is your source for quality new and certified-used/pre-owned equipment

- FAST SHIPPING AND DELIVERY
- TENS OF THOUSANDS OF IN-STOCK ITEMS
- EQUIPMENT DEMOS
- HUNDREDS OF MANUFACTURERS SUPPORTED
- LEASING/MONTHLY RENTALS
- ITAR CERTIFIED SECURE ASSET SOLUTIONS

SERVICE CENTER REPAIRS

Experienced engineers and technicians on staff at our full-service, in-house repair center

*InstraView*SM REMOTE INSPECTION

Remotely inspect equipment before purchasing with our interactive website at www.instraview.com ↗

WE BUY USED EQUIPMENT

Sell your excess, underutilized, and idle used equipment. We also offer credit for buy-backs and trade-ins. www.artisanng.com/WeBuyEquipment ↗

LOOKING FOR MORE INFORMATION?

Visit us on the web at www.artisanng.com ↗ for more information on price quotations, drivers, technical specifications, manuals, and documentation

Contact us: (888) 88-SOURCE | sales@artisanng.com | www.artisanng.com

1.3 RATINGS AND SPECIFICATIONS OF G SERIES AC SERVOMOTORS

1.3.1 Ratings

Time Rating: Continuous

Insulation: Class F

Isolation Voltage: 1500 VAC, one minute

Insulation Resistance: 500 VDC, 10MΩ
or more

Enclosure: Totally-enclosed, self-cooled
(Equivalent to IP-65 exclusive shaft opening)

Ambient Temperature: 0 to +40°C

Ambient Humidity: 20% to 80%
(non-condensing)

Vibration: 15μm or below

Finish in Munsell Notation: N1.5

Excitation: Permanent magnet

Mounting: Flange mounted

Drive Method: Direct drive

Table 1.3 Ratings and Specifications of G Series AC SERVOMOTORS

Motor Type USAGED- *2		02□□1	03□□1	05□□1	09□□1	13A□2	20A□2	30A□2	44A□2
Rated Output*	kW (HP)	0.15 (0.2)	0.3 (0.4)	0.45 (0.6)	0.85 (1.1)	1.3 (1.7)	1.8 (2.4)	2.9 (3.9)	4.4 (5.9)
Rated Torque*	N•m (lb•in)	0.98 (8.7)	1.96 (17)	2.84 (25)	5.39 (48)	8.34 (74)	11.5 (102)	18.6 (165)	28.4 (252)
Continuous Max Torque*	N•m (lb•in)	1.08 (10)	2.16 (19)	2.94 (26)	5.88 (52)	8.83 (78)	11.8 (104)	22.6 (200)	37.3 (330)
Instantaneous Peak Torque*	N•m (lb•in)	2.9 (26)	5.83 (52)	8.92 (79)	13.3 (118)	23.3 (207)	28.0 (248)	45.1 (400)	66.2 (587)
Rated Current*	A	3.0	3.0	3.8	7.6	11.7	19	26	33
Rated Speed*	r/min	1500							
Instantaneous Max Speed*	r/min	3000							
Torque Constant	N•m/A (lb•in/A)	0.36 (3.2)	0.72 (6.3)	0.8 (7.1)	0.8 (7.1)	0.83 (7.4)	0.67 (5.9)	0.80 (7.1)	0.95 (8.4)
Moment of Inertia J _M (=GD ² /4)	kg•m ² ×10 ⁻⁴ (lb•in•s ² ×10 ⁻³)	1.3 (1.2)	2.06 (1.8)	13.5 (12.0)	24.3 (21.5)	36.7 (32.5)	57.9 (51.2)	110 (97.2)	143 (126.7)
Power Rate* ¹	kW/s	7.4	18.3	6.0	12	18.9	22.7	36.5	57.0
Inertia Time Constant	ms	4.5	2.5	10.9	6.1	4.3	5.8	5.2	3.4
Inductive Time Constant	ms	3.4	4.3	3.2	5.2	6.7	10.6	13.2	15.9
Insulation		Class F							

*1: Values when SERVOMOTOR is combined with SERVOPACK and the armature winding temperature is 20°C. Shown are normal (TYP) values above.

*2: The blank □ of motor type depends on class of detectors.

Standard: 2 (8192 pulses/rev)

Semi-Standard: 3 (2048 pulses/rev)

Optical encoder is used as a detector.

Note: The power supply units for brake:

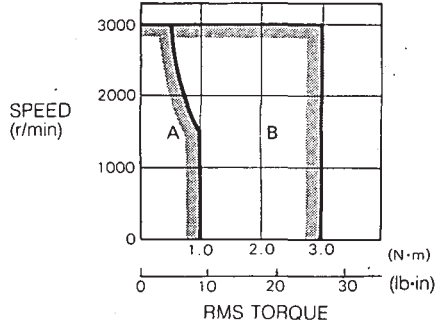
• Input 100 VAC, Output 90 VDC: Type B9400876-2

• Input 200 VAC, Output 90 VDC: Type B9400876-1

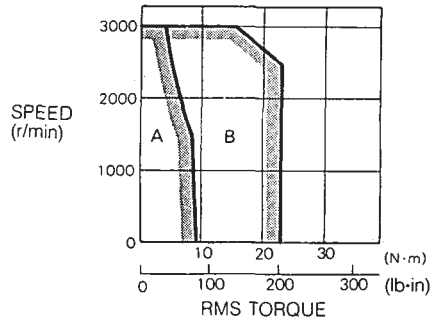
For details, see Par. 10.3 (2).

1.3.2 Torque-Speed Characteristics

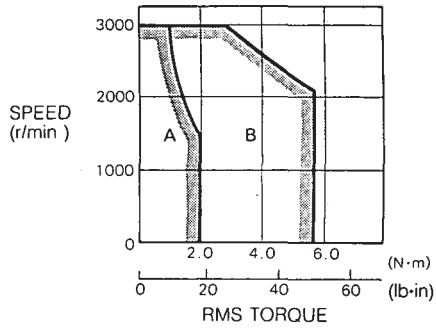
• TYPE USAGED-02



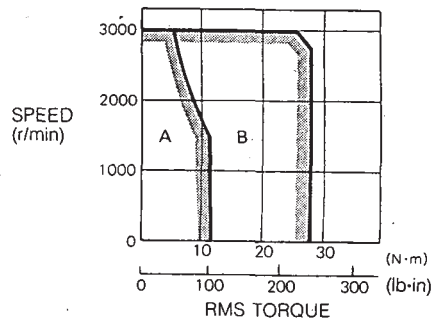
• TYPE USAGED-13A



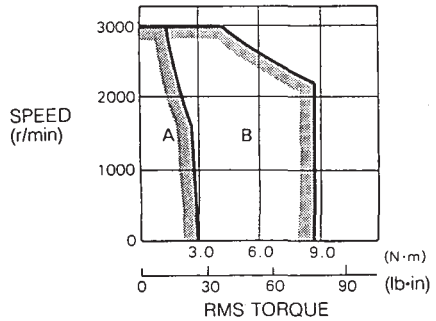
• TYPE USAGED-03



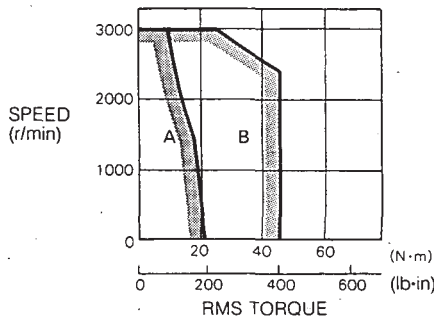
• TYPE USAGED-20A



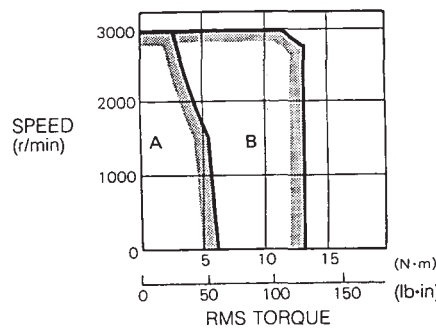
• TYPE USAGED-05



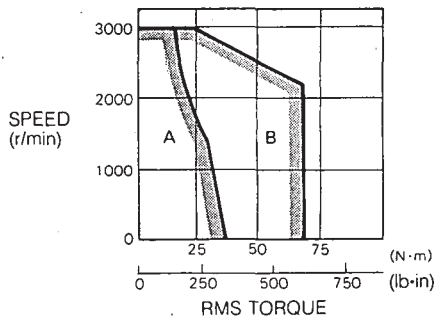
• TYPE USAGED-30A



• TYPE USAGED-09



• TYPE USAGED-44A



A: CONTINUOUS DUTY ZONE
 B: INTERMITTENT DUTY ZONE
 POWER SUPPLY: 200 V



Artisan Technology Group is your source for quality new and certified-used/pre-owned equipment

- FAST SHIPPING AND DELIVERY
- TENS OF THOUSANDS OF IN-STOCK ITEMS
- EQUIPMENT DEMOS
- HUNDREDS OF MANUFACTURERS SUPPORTED
- LEASING/MONTHLY RENTALS
- ITAR CERTIFIED SECURE ASSET SOLUTIONS

SERVICE CENTER REPAIRS

Experienced engineers and technicians on staff at our full-service, in-house repair center

*InstraView*SM REMOTE INSPECTION

Remotely inspect equipment before purchasing with our interactive website at www.instraview.com ↗

WE BUY USED EQUIPMENT

Sell your excess, underutilized, and idle used equipment. We also offer credit for buy-backs and trade-ins. www.artisanng.com/WeBuyEquipment ↗

LOOKING FOR MORE INFORMATION?

Visit us on the web at www.artisanng.com ↗ for more information on price quotations, drivers, technical specifications, manuals, and documentation

Contact us: (888) 88-SOURCE | sales@artisanng.com | www.artisanng.com